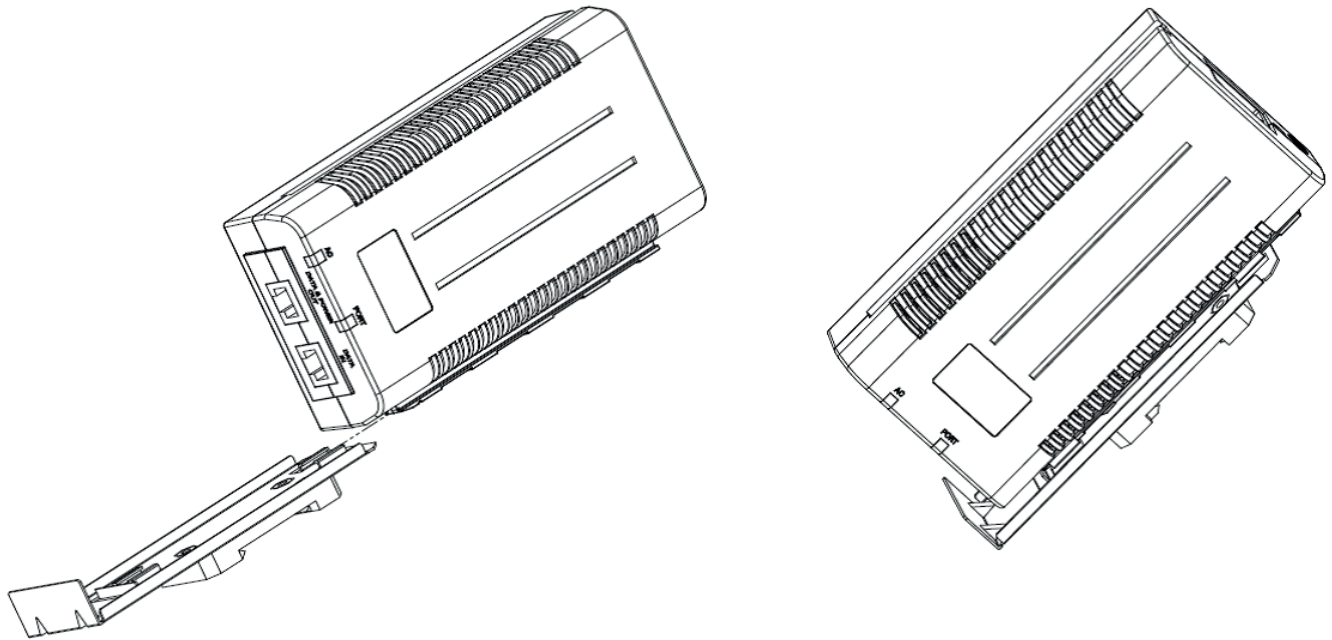


Mounting AXIS Midspan DIN Clip A on Axis' midspan



Assemble AXIS Midspan DIN Clip A onto the midspan and mount it upwards along the DIN rail.

