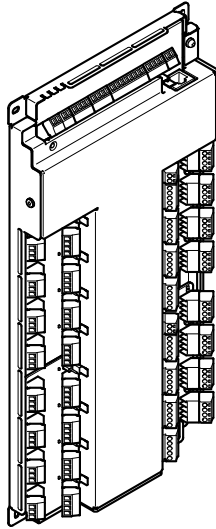


AXIS A1810-B Network Door Controller



help.axis.com/axis-a1810-b

Installation guide
Guide d'installation
Installationsanleitung
Guida all'installazione
Guía de instalación
インストールガイド
Guia de instalação
Руководство по установке
설치가이드
安装指南
Panduan instalasi

Read this first

Read through this installation guide carefully before you install the product. Keep the installation guide for future reference.

Liability

Every care has been taken in the preparation of this document. Please inform your local Axis office of any inaccuracies or omissions. Axis Communications AB cannot be held responsible for any technical or typographical errors and reserves the right to make changes to the product and manuals without prior notice. Axis Communications AB makes no warranty of any kind with regard to the material contained within this document, including, but not limited to, the implied warranties of merchantability and fitness for a particular purpose. Axis Communications AB shall not be liable nor responsible for incidental or consequential damages in connection with the furnishing, performance or use of this material. This product is only to be used for its intended purpose.

Intellectual property rights

Axis AB has intellectual property rights relating to technology embodied in the product described in this document. In particular, and without limitation, these intellectual property rights may include one or more of the patents listed at axis.com/patent and one or more additional patents or pending patent applications in the US and other countries.

This product contains source code copyright Apple Computer, Inc., under the terms of Apple Public Source License 2.0 (see opensource.apple.com/apsl). The source code is available from developer.apple.com/bonjour/.

Equipment modifications

This equipment must be installed and used in strict accordance with the instructions given in the user documentation. This equipment contains no user-serviceable components. Unauthorized equipment changes or modifications will invalidate all applicable regulatory certifications and approvals.

Trademark acknowledgements

AXIS COMMUNICATIONS, AXIS, ARTPEC and VAPIX are registered trademarks of Axis AB in various jurisdictions. All other trademarks are the property of their respective owners.

Network Time Protocol Version 4 Distribution is copyright of University of Delaware – © University of Delaware 1992–2011. The following copyright notice applies to all files collectively called the Network Time Protocol Version 4 Distribution. Unless specifically declared otherwise in an individual file, this notice applies as if the text was explicitly included in the file. Permission to use, copy, modify, and distribute this software and its documentation for any purpose with or without fee is hereby granted, provided that the above copyright notice appears in all copies and that both the copyright notice and this permission notice appear in supporting documentation, and that the name University of Delaware not be used in

advertising or pertaining to distribution of the software without specific, written prior permission. The University of Delaware makes no representations about the suitability this software for any purpose. It is provided "as is" without express or implied warranty.

Regulatory information

Europe



This product complies with the applicable CE marking directives and harmonized standards:

- Electromagnetic Compatibility (EMC) Directive 2014/30/EU. See *Electromagnetic compatibility (EMC), on page 2*.
- Low Voltage Directive (LVD) 2014/35/EU. See *Safety, on page 3*.
- Restriction of Hazardous Substances (RoHS) Directive 2011/65/EU and 2015/863, including any amendments, updates or replacements. See *Disposal and recycling, on page 3*.

A copy of the original declaration of conformity may be obtained from Axis Communications AB. See *Contact information, on page 4*.

Electromagnetic compatibility (EMC)

This equipment has been designed and tested to fulfill applicable standards for:

- Radio frequency emission when installed according to the instructions and used in its intended environment.
- Immunity to electrical and electromagnetic phenomena when installed according to the instructions and used in its intended environment.

USA

This device complies with part 15 of the FCC Rules. Operation is subject to the following two conditions:

1. This device may not cause harmful interference, and
2. this device must accept any interference received, including interference that may cause undesired operation.

This equipment has been tested using a shielded network cable (STP) and found to comply with the limits for a Class A digital device, pursuant to part 15 of the FCC Rules. These limits are designed to provide reasonable protection against harmful interference when the equipment is operated in a commercial environment. This equipment generates, uses, and can radiate radio frequency energy and, if not installed and used in accordance with the instruction manual, may cause harmful interference to radio communications. Operation of this equipment in a residential area is likely to cause harmful interference in which case the user will be required to correct the interference at his own expense. The product shall be

connected using a shielded network cable (STP) that is properly grounded.

Contact information

Axis Communications Inc.

300 Apollo Drive

Chelmsford, MA 01824

United States of America

Tel: +1 978 614 2000

Canada

This digital apparatus complies with CAN ICES-3 (Class A). The product shall be connected using a shielded network cable (STP) that is properly grounded. Cet appareil numérique est conforme à la norme CAN NMB-3 (classe A). Le produit doit être connecté à l'aide d'un câble réseau blindé (STP) qui est correctement mis à la terre.

Europe

This digital equipment fulfills the requirements for RF emission according to the Class A limit of EN 55032. The product shall be connected using a shielded network cable (STP) that is properly grounded. Notice! This is a Class A product. In a domestic environment this product may cause RF interference, in which case the user may be required to take adequate measures.

This digital equipment fulfills the requirements according to EN 50130-4 when used with an uninterruptible power supply.

Australia/New Zealand

This digital equipment fulfills the requirements for RF emission according to the Class A limit of AS/NZS CISPR 32. The product shall be connected using a shielded network cable (STP) that is properly grounded. Notice! This is a Class A product. In a domestic environment this product may cause RF interference, in which case the user may be required to take adequate measures.

Japan

この装置は、クラスA機器です。この装置を住宅環境で使用すると電波妨害を引き起こすことがあります。この場合には使用者が適切な対策を講ずるよう要求されることがあります。VCCI - A

本製品は、シールドネットワークケーブル(STP)を使用して接続してください。また適切に接地してください。

本製品は電気通信事業者（移动通信会社、固定通信会社、インターネットプロバイダ等）の通

信回線（公衆無線 LAN を含む）に直接接続することができません。本製品をインターネットに接続する場合は、必ずルータ等を経由し接続してください。

Korea

이 기기는 업무용 환경에서 사용할 목적으로 적합성 평가를 받은 기기로서 가정용 환경에서 사용하는 경우 전파간섭의 우려가 있습니다. 적절히 접지된 STP (shielded twisted pair) 케이블을 사용하여 제품을 연결 하십시오.

Safety

This product complies with IEC/EN/UL 62368-1 ed. 3, safety of audio/video and IT equipment for indoor use.

If its connecting cables are routed outdoors, the product shall be grounded either through a shielded network cable (STP) or other appropriate method.

The power supply used with this product shall have a rated output voltage of 12 V DC, and a max power rating of:

- DC IN: 36 W
- DC IN DOOR 1-4: 96 W
- DC IN DOOR 5-8: 96 W

Installations with a dedicated power supply for each DC IN connector shall fulfill one of the following requirements:

- Safety Extra Low Voltage (SELV) according to CEC/NEC Class 2 source of supply as defined in the Canadian Electrical Code, CSA C22.1 and National Electrical Code, ANSI/NFPA 70
- Class 1 electrical energy source (ES1) and Class 2 power source (PS2) rated output power limited to ≤100 W according to IEC/EN/UL 62368-1

Installations with a single power supply for the entire unit shall fulfill the following specifications. Additionally, the installation must be housed in a fire enclosure compliant with IEC/EN/UL 62368-1 standards.

- Class 1 electrical energy source (ES1) and Class 3 power source (PS3) rated output power according to IEC/EN/UL 62368-1 capable of supplying power to all DC IN.

We recommend the use of AXIS T8008 PS12 power supply.

When used with Power over Ethernet (PoE), the Power Sourcing Equipment (PSE) shall comply with IEEE 802.3at and Limited Power Source (LPS) according to annex Q of IEC/EN/UL 62368-1.

We recommend the use of Axis PoE+ midspans or Axis PoE+ switches.

Disposal and recycling

When this product has reached the end of its useful life, dispose of it according to local laws and regulations. For information about your nearest

designated collection point, contact your local authority responsible for waste disposal. In accordance with local legislation, penalties may be applicable for incorrect disposal of this waste.

Europe



This symbol means that the product shall not be disposed of together with household or commercial waste. Directive 2012/19/EU on waste electrical and electronic equipment (WEEE) is applicable in the European Union member states. To prevent potential harm to human health and the environment, the product must be disposed of in an approved and environmentally safe recycling process. For information about your nearest designated collection point, contact your local authority responsible for waste disposal. Businesses should contact the product supplier for information about how to dispose of this product correctly.

This product complies with the requirements of Directive 2011/65/EU and 2015/863 on the restriction of the use of certain hazardous substances in electrical and electronic equipment (RoHS).

China



This product complies with the requirements of SJ/T 11364-2014, Marking for the restriction of hazardous substances in electrical and electronic products.

有毒有害物质或元素						
部件名称	铅 (P-b)	汞 (H-g)	镉 (C-d)	六价铬 (Cr(V-I))	多溴联苯 (P-BB)	多溴二苯醚 (P-B-DE)
电气实装部分	X	○	○	○	○	○
<p>○表示该有毒有害物质在该部件均质材料中的含量均在GB/T 26572标准规定的限量要求以下。</p> <p>X: 表示该有毒有害物质至少在该部件的某一均质材料中的含量超出GB/T 26572标准规定的限量要求。</p>						

Contact information
Axis Communications AB

Gränden 1
223 69 Lund
Sweden
Tel: +46 46 272 18 00

axis.com

Warranty information

For information about Axis' product warranty and thereto related information, go to axis.com/warranty.

Support

Should you require any technical assistance, please contact your Axis reseller. If your questions cannot be answered immediately, your reseller will forward your queries through the appropriate channels to ensure a rapid response. If you are connected to the Internet, you can:

- download user documentation and software updates
- find answers to resolved problems in the FAQ database, search by product, category, or phrase
- report problems to Axis support staff by logging in to your private support area
- chat with Axis support staff
- visit Axis Support at axis.com/support

Cybersecurity

Axis security notification service

Axis provides a notification service with information about vulnerability and other security related matters for Axis devices. To receive notifications, you can subscribe at axis.com/security-notification-service.

Vulnerability management

To minimize customers' risk of exposure, Axis, as a **Common Vulnerability and Exposures (CVE) numbering authority (CNA)**, follows industry standards to manage and respond to discovered vulnerabilities in our devices, software, and services. For more information about Axis vulnerability management policy, how to report vulnerabilities, already disclosed vulnerabilities, and corresponding security advisories, see axis.com/vulnerability-management.

Secure operation of Axis devices

Axis devices with factory default settings are pre-configured with secure default protection mechanisms. We recommend using more security configuration when installing the device. To find out more about Axis hardening guides and other cyber security related documentation, go to axis.com/support/cybersecurity/resources.

Learn more!

Visit Axis learning center axis.com/learning for useful trainings, webinars, tutorials and guides.

Requirements for compliance with UL 294

This section contains information and instructions required for UL compliance. To make sure the installation is UL compliant, follow the instructions below in addition to the general information and instructions provided throughout this document. In cases where pieces of information contradict each other, the requirements for UL compliance always replace general information and instructions.

Performance levels for access control

This section contains performance level information required for UL 294 compliance.

Feature	Level
Destructive attack test	I
Security	I
Endurance	IV
Standby power	I

Safety instructions

- Shall be installed in accordance with Article 725.121 of the National Electrical Code, ANSI/NFPA 70.
- The Axis product shall be installed and serviced by a factory trained professional.
- The Axis product shall be installed within the protected premises (secured area).
- The Axis product shall be mounted indoors. Outdoor use has not been evaluated or approved by UL.
- Enclosure of AXIS A1710-B and AXIS A1810-B shall provide a minimum of two separate openings: one for Class 1 DC input wiring and the other for all other Class 2/3 power limited wiring. A min. of 6.4 mm separation shall be maintained between Class 1 and Class 2 power limited wiring.
- When used with an inductive load, connect a diode in parallel with the load to protect against voltage transients.
- DC IN connectors (X2 and X55) should be powered by non-power limited supplies.
- All output connected devices shall be UL listed and Class 2 low-voltage power limited.
- All power outputs are Class 2 outputs.
- All wiring methods shall be performed in accordance with ANSI/NFPA70, local codes and authorities having jurisdiction.
- The wiring of the door relay is limited only inside of the protected area.
- Recommend to use UL recognized grounding wire, a size of 14-16 AWG, yellow/green color. Crimp the cable on the non-insulated wire pressure ring terminal which is being delivered as

a spare part of the product. Important to use proper crimping tool and techniques to ensure the safety of product and user.

- When the Axis product has reached the end of its useful life, dispose of it according to local laws and regulations. The product should not be disposed of together with household or commercial waste. See *Disposal and recycling, on page 3*.
- Do not connect the Axis product to a receptacle controlled by a switch.
- Battery
 - The 3.0 V lithium battery used by the Axis product is a UL recognized component. (Type: BR2032, diameter: 20 mm (0.78 in), manufacturers: Power Glory (Omnergy)). The following battery type is also a UL recognized component: Type CR2032.
 - Users shall not replace the battery. If the battery needs replacing, it must be done by a trained technician only.
 - Used batteries shall be disposed of according to local laws and regulations, which may vary from state to state. Waste BR/CR lithium cells are neither listed nor exempted from the USEPA hazardous waste regulations. Waste lithium batteries can be considered reactive hazardous waste if there is a significant amount of unreacted, or unconsumed lithium remaining. For information about how to dispose of used lithium batteries, contact your local authority for waste disposal.

Specifications

- Operating conditions

UL 294	<p>0 °C to 55 °C (32 °F to 131 °F)</p> <p>Humidity: 10–85% RH (non-condensing)</p> <p>Intended for use in UL listed enclosure with tamper switch.</p>
--------	---

- Wiring requirements
 - UL listed or R/C AWM wires that have a conductor gauge range of AWG 22–14 shall be used.
 - The minimum conductor gauge for connection between the power sourcing equipment (PSE) or power injector and the powered device (PD) is 26 AWG.
 - Minimum PoE category 5e, shielded cable, required for PoE.
 - This product is not intended for outside wiring as covered by Article 800 in the National Electrical Code, NFPA 70.
- Connectors
 - Power in connector – For UL security applications, the product shall be powered by a UL 294, UL 603, or UL 2610 listed power supply with appropriate ratings.

- External power to relays - If the relays are connected to an external power source this must be UL 294, UL 603, or UL 2610 listed Class 2 low-voltage power SELV and limited power supply.
- Network Connector – Standard Ethernet wiring. Evaluated by UL when powered from AXIS Midspan 30 W, Model POEA30U-1ATE in PoE Mode B (alternative A). The midspan PSE or power injector can be located at any point within the defined structured cabling channel compliant to the Standard for Balanced Twisted-Pair Telecommunications Cabling and Components, ANSI/TIA-568-C.2, between the network switch and the powered device (PD).
- System considerations
 - Monitoring software was not evaluated by UL, and is for supplemental use.
- Maintenance instructions
 - For maintenance instructions and for information about how to configure the Axis product, see the User Manual.
- Further information
 - Card formats verified by UL: MIFARE® DESFire® EV3 8K.
 - Firmware version: 1.x.x.x
 - Reader verified by UL: AXIS A4120-E
 - AXIS TA1101-B Wiegand to OSDP Converter is not evaluated by UL294
- Power
 - **Power in:**
Power over Ethernet (PoE) IEEE 802.3at, Type 2 Class 4 or DC IN: 12 V DC, max 36 W
DC IN DOOR 1–4: 12 V DC, max 96 W (required)
DC IN DOOR 5–8: 12 V DC, max 96 W (required)
 - **Power out relays:**
RELAY:
Dry: max 2 A at 30 V DC
Wet: DC output: 12/24 V DC, jumper configurable
With PoE: max 150 mA at 12 V DC, max 50 mA at 24 V DC, max 1.8 W
With PoE+: max 920 mA at 12 V DC, max 420 mA at 24 V DC, max 11.04 W
With DC IN: max 1900 mA at 12 V DC, max 1000 mA at 24 V DC, max 24 W
DOOR 1–4 RELAY:
Dry: max 4 A at 30 V DC
Wet: DC output: 12/24 V DC, jumper configurable, total combined of max 3.8 A at 12 V DC or max 1.5 A at 24 V DC, max 46 W
DOOR 5–8 RELAY:
Dry: max 4 A at 30 V DC
Wet: DC output: 12/24 V DC, jumper configurable, total combined of max 3.8 A at 12 V DC or max 1.5 A at 24 V DC, max 46 W
DOOR 1–4 AUX:
Dry: max 2 A at 30 V DC
DOOR 5–8 AUX:
Dry: max 2 A at 30 V DC

- **Power out I/O:**
 AUX I/O connector: 1x 12 V DC output, max 250 mA
 Input connector: 1x 12 V DC output, max 200 mA
 DOOR 1-4: 4x 12 V DC output, combined total of max 400 mA
 DOOR 5-8: 4x 12 V DC output, combined total of max 400 mA
- **Power out Reader:**
 DOOR 1-4: 4x 12 V DC output, combined total of max 2 A
 DOOR 5-8: 4x 12 V DC output, combined total of max 2 A
- **All 12 V outputs are special application outputs, rated 10-12 V**
- **I/O interface – I/O functionality**
 - **AUX I/Os:**
 DC output: 12 V, 250 mA
 I/O: 2x I/O, configurable inputs or outputs
 Digital input: 0 to max 30 V DC, possible to supervise between 0-12 V (4 states)
 Digital output: Open drain, 0 to max 30 V DC, max 100 mA
 - **Inputs:**
 5x input
 0 to max 30 V DC, possible to supervise between 0-12 V (4 states)
 - **Outputs:**
 3x output
 Open drain, max 30 V, 100 mA each
 - **Relays:**
 1x form C relay, NO/NC, max 2 A, max 30 V DC
 4x form C relay (DOOR 1-4), NO/NC, max 4 A, max 30 V DC
 4x form C relay (DOOR 5-8), NO/NC, max 4 A, max 30 V DC
 4x form C relay (AUX 1-4), NO/NC, max 2 A, max 30 V DC
 4x form C relay (AUX 5-8), NO/NC, max 2 A, max 30 V DC
 - **RS485:** 8x port, half duplex (multidrop is not intended for UL 294 installations)
 - **DPS:** 8x port
 Digital input: 0 to max 30 V DC, possible to supervise between 0-12 V (4 states)
 - **REX:** 8x port
 Digital input: 0 to max 30 V DC, possible to supervise between 0-12 V (4 states)
- **Supervised input:**
 Programmable end-of-line resistors (serial connection: 1 K, 2.2 K, 4.7 K and 10 K, parallel connection: 4.7 K and 22 K), 1 %, ¼ watt standard
- **Cable requirements**
 - **Wire size for connectors:** CUL/UL: AWG 26-14
 - **DC power:** AWG 16-14, qualified for up to 3 m (10 ft)
 - **Relay:** AWG 16-14, qualified for up to 200 m (656 ft)
 - **Ethernet and PoE:** STP CAT 5e or higher, qualified for up to 100 m (328 ft)
 - **I/Os as inputs:** AWG 24, qualified for up to 200 m (656 ft)

- Reader data (RS485): 1 twisted pair, AWG 26-14, qualified for up to 1000 m (3281 ft)
- Reader powered by controller (RS485): AWG 22-14, qualified for up to 200 m (656 ft)

English

Safety information

Hazard levels

⚠ DANGER

Indicates a hazardous situation which, if not avoided, will result in death or serious injury.

⚠ WARNING

Indicates a hazardous situation which, if not avoided, could result in death or serious injury.

⚠ CAUTION

Indicates a hazardous situation which, if not avoided, could result in minor or moderate injury.

NOTICE

Indicates a situation which, if not avoided, could result in damage to property.

Other message levels

Important

Indicates significant information which is essential for the product to function correctly.

Note

Indicates useful information which helps in getting the most out of the product.

Safety instructions

⚠ WARNING

The Axis product shall be installed by a trained professional, and in compliance with local laws and regulations.

NOTICE

- The Axis product shall be used in compliance with local laws and regulations.
- This product is for professional use.
- Install this product at a safe distance from children.
- Axis recommends using a shielded network cable (STP).
- To use the Axis product outdoors, or in similar environments, it shall be installed in an approved outdoor housing.
- Store the Axis product in a dry and ventilated environment.
- Avoid exposing the Axis product to shocks or heavy pressure.
- Avoid exposing the Axis product to vibration.
- Install the product using screws and plugs

appropriate for the material (e.g. wood, metal, sheet rock, stone).

- Do not install the product on unstable poles, brackets, surfaces or walls.
- Do not install the product on vibrating poles, brackets, surfaces or walls.
- Use only applicable tools when installing the Axis product. Using excessive force with power tools could cause damage to the product.
- Use a soft cloth dampened with pure lukewarm water to clean the device.
- Don't use chemicals such as window cleaner or acetone to clean your device.
- Use only accessories that comply with the technical specification of your product. These can be provided by Axis or a third party. Axis recommends using Axis power source equipment compatible with your product.
- Use only spare parts provided by or recommended by Axis.
- Do not attempt to repair the product yourself. Contact Axis support or your Axis reseller for service matters.
- When used with an inductive load, connect a diode in parallel with the load to protect against voltage transients.
- The power supply shall be plugged in to a socket outlet installed near the product and shall be easily accessible.
- Use a limited power source (LPS) with a rated output power limited to ≤ 100 W and a rated output current limited to ≤ 5 A.

Transportation

NOTICE

- Keep the protective packaging. When transporting the Axis product, the protective packaging shall be replaced in its original position.
- When transporting the Axis product, use the original packaging or equivalent to prevent damage to the product.

Battery

The Axis product uses a 3.0 V BR2032 lithium battery as the power supply for its internal real-time clock (RTC). Under normal conditions this battery will last for a minimum of five years.

Low battery power affects the operation of the RTC, causing it to reset at every power-up. When the battery voltage is low, a log message will appear in the product's server report.

⚠ CAUTION

Do not replace the battery yourself. Contact Axis support if the log message requests a battery change.

Lithium coin cell 3.0 V batteries contain 1,2-dimethoxyethane; ethylene glycol dimethyl ether (EGDME), CAS no. 110-71-4.

Français

Informations sur la sécurité

Niveaux de risques

⚠ DANGER

Indique une situation dangereuse qui, si elle n'est pas évitée, entraînera le décès ou des blessures graves.

⚠ WARNING

Indique une situation dangereuse qui, si elle n'est pas évitée, pourrait entraîner le décès ou des blessures graves.

⚠ CAUTION

Indique une situation dangereuse qui, si elle n'est pas évitée, pourrait entraîner des blessures légères ou modérées.

NOTICE

Indique une situation qui, si elle n'est pas évitée, pourrait endommager l'appareil.

Autres niveaux de message

Important

Indique les informations importantes, nécessaires pour assurer le bon fonctionnement de l'appareil.

Note

Indique les informations utiles qui permettront d'obtenir le fonctionnement optimal de l'appareil.

Consignes de sécurité

⚠ WARNING

Le produit Axis doit être installé par un professionnel qualifié et conformément aux lois et réglementations locales en vigueur.

NOTICE

- Le produit Axis doit être utilisé conformément aux lois et règlements locaux.
- Ce produit est destiné à un usage professionnel.
- Installez ce produit à une distance sûre des enfants.
- Axis recommande d'utiliser un câble réseau blindé (STP).
- Pour pouvoir utiliser le produit Axis à l'extérieur, ou dans des environnements

similaires, il doit être installé dans un boîtier d'extérieur homologué.

- Conserver ce produit Axis dans un environnement sec et ventilé.
- Ne pas exposer ce produit Axis aux chocs ou aux fortes pressions.
- Ne pas exposer ce produit Axis aux vibrations.
- Installer le produit à l'aide de vis et de chevilles adaptées au matériau (bois, métal, placoplâtre, pierre).
- Ne pas installer ce produit sur des poteaux, supports, surfaces ou murs instables.
- Ne pas installer ce produit sur des poteaux, supports, surfaces ou murs soumis à des vibrations.
- Utiliser uniquement des outils recommandés pour l'installation de l'appareil Axis. L'application d'une force excessive sur l'appareil avec des outils puissants pourrait l'endommager.
- Pour nettoyer le dispositif, utilisez un chiffon doux humide à l'eau tiède pure.
- N'utilisez pas de produits chimiques tels que le nettoyant pour vitres ou l'acétone pour nettoyer votre dispositif.
- Utiliser uniquement des accessoires conformes aux caractéristiques techniques de votre produit. Ils peuvent être fournis par Axis ou un tiers. Axis recommande d'utiliser un équipement d'alimentation Axis compatible avec votre produit.
- Utiliser uniquement les pièces de rechange fournies ou recommandées par Axis.
- Ne pas essayer de réparer vous-même ce produit. Contacter l'assistance technique d'Axis ou votre revendeur Axis pour des problèmes liés à l'entretien.
- En cas d'utilisation avec une charge inductive, par exemple un relais, connectez une diode en parallèle à la charge pour assurer la protection contre les transitoires de tension.
- L'alimentation électrique doit être branchée à une prise de courant installée près de l'équipement et être facilement accessible.
- Utilisez une source d'alimentation limitée (LPS) dont la puissance de sortie nominale est limitée à ≤ 100 W et dont le courant de sortie nominal est limité à ≤ 5 A.

Transport

NOTICE

- Conservez l'emballage de protection. Lors du transport du produit Axis, l'emballage de protection doit être remis dans sa position d'origine.
- Lors du transport du produit Axis, utilisez l'emballage d'origine ou un équivalent pour éviter d'endommager le produit.

Batterie

Le produit Axis utilise une batterie au lithium BR2032 3,0 V comme alimentation de son horloge en temps réel interne (RTC). Dans des conditions normales, cette batterie a une durée de vie minimale de cinq ans.

Si la batterie est faible, le fonctionnement de l'horloge en temps réel peut être affecté et entraîner sa réinitialisation à chaque mise sous tension. Un message enregistré apparaît dans le rapport de serveur du produit lorsque la tension de la batterie est basse.

⚠ CAUTION

Ne remplacez pas la batterie vous-même.
Contactez le support Axis si le message du journal demande un changement de batterie.

Les piles boutons 3,0 V au lithium contiennent du 1,2-diméthoxyéthane, éthylène glycol diméthyl éther (EGDME), CAS n° 110-71-4.

Deutsch

Sicherheitsinformationen

Gefährdungsstufen

⚠ DANGER

Weist auf eine gefährliche Situation hin, welche, wenn sie nicht vermieden wird, zum Tod oder zu schweren Verletzungen führen wird.

⚠ WARNING

Weist auf eine gefährliche Situation hin, welche, wenn sie nicht vermieden wird, zum Tod oder zu schweren Verletzungen führen könnte.

⚠ CAUTION

Weist auf eine gefährliche Situation hin, welche, wenn sie nicht vermieden wird, zu leichteren oder mäßig schweren Verletzungen führen könnte.

NOTICE

Weist auf eine Situation hin, welche, wenn sie nicht vermieden wird, zu Sachschäden führen könnte.

Andere Meldeebenen

Important

Weist auf wichtige Informationen hin, die den richtigen Betrieb des Produkts gewährleisten.

Note

Weist auf nützliche Informationen hin, die die optimale Verwendung des Produkts unterstützen.

Sicherheitsanweisungen

⚠ WARNING

Das Axis Produkt muss von fachmännisch geschultem Personal und unter Einhaltung der örtlich geltenden Bestimmungen installiert werden.

NOTICE

- Das Axis Produkt muss unter Beachtung der geltenden Gesetze und Bestimmungen betrieben werden.
- Dieses Produkt ist für den professionellen Gebrauch bestimmt.
- Installieren Sie dieses Produkt in sicherer Entfernung von Kindern.
- Axis empfiehlt, ein abgeschirmtes Netzwerk-Kabel (STP) zu verwenden.
- Für den Einsatz von Axis Produkten im Außenbereich oder ähnlichen Umgebungen müssen diese in für den Außenbereich zugelassenen Gehäusen installiert werden.
- Lagern Sie das Axis Produkt in einer trockenen und belüfteten Umgebung.
- Das Axis Produkt weder Stößen noch starkem Druck aussetzen.
- Das Axis Produkt keinen Schwingungen aussetzen.
- Die Schrauben und Dübel müssen für das entsprechende Material (wie etwa Holz, Metall, Gipskartonplatten, Beton) geeignet sein.
- Installieren Sie das Produkt nicht an instabilen Masten, Halterungen, Oberflächen oder Wänden.
- Installieren Sie das Produkt nicht an vibrierenden Masten, Halterungen, Oberflächen oder Wänden.
- Verwenden Sie bei der Installation des Axis Produkts ausschließlich passende Werkzeuge. Ein zu großer Kraftaufwand mit elektrischen Werkzeugen kann das Produkt beschädigen.
- Verwenden Sie zur Reinigung des Geräts ein weiches, mit lauwarmem reinen Wasser befeuchtetes Tuch.
- Verwenden Sie zur Reinigung Ihres Geräts keine chemischen Substanzen wie Fensterreiniger oder Aceton.
- Verwenden Sie nur Zubehör, das den technischen Vorgaben Ihres Produkts entspricht. Dieses ist von Axis oder Drittanbietern erhältlich. Axis empfiehlt die mit Ihrem Produkt kompatible Stromversorgung von Axis.
- Verwenden Sie ausschließlich Ersatzteile die von Axis angeboten oder empfohlen werden.
- Versuchen Sie nicht, dieses Produkt selbstständig zu reparieren. Wenden Sie sich bezüglich Reparatur und Wartung an den Axis Support oder Ihren Axis Händler.
- Bei Verwendung mit einer induktiven Last muss zum Schutz vor Spannungssprüngen eine Diode parallel zur Last geschaltet werden.
- Das Netzteil sollte an eine Steckdose in der

Nähe des Produkts angeschlossen werden und leicht zugänglich sein.

- Verwenden Sie eine Stromquelle mit begrenzter Leistung (LPS) mit einer Nennausgangsleistung von ≤ 100 W und einem begrenzten Nennausgangsstrom von ≤ 5 A.

Transport

NOTICE

- Bewahren Sie die Schutzverpackung auf. Bei Bedarf Axis Produkt in der Originalverpackung transportieren.
- Bei Bedarf transportieren Sie das Axis Produkt in der Originalverpackung oder einer entsprechenden Verpackung, so dass Schäden vermieden werden.

Batterie

Das Axis Produkt ist mit einer 3,0-V-BR2032-Lithium-Batterie ausgestattet, mit der die interne Echtzeituhr (RTC) versorgt wird. Unter normalen Bedingungen hat die Batterie eine Lebensdauer von mindestens fünf Jahren.

Eine nicht ausreichend geladene Batterie beeinträchtigt den Betrieb der Echtzeituhr, die dann bei jedem Systemstart zurückgesetzt wird. Sie erhalten eine Protokollnachricht im Server-Bericht des Produkts, wenn die Batteriespannung niedrig ist.

⚠ CAUTION

Tauschen Sie die Batterie nicht selbst aus. Wenden Sie sich an den Axis Support, wenn die Protokollnachricht einen Batterietausch anfordert.

Lithium-Knopfzellen (3,0 V) enthalten 1,2-Dimethoxyethan; Ethylenglycoldimethylether (EGDME), CAS-Nr. 110-71-4.

Italiano

Informazioni di sicurezza

Livelli di pericolo

⚠ DANGER

Indica una situazione pericolosa che, se non evitata, provoca morte o lesioni gravi.

⚠ WARNING

Indica una situazione pericolosa che, se non evitata, potrebbe provocare la morte o lesioni gravi.

⚠ CAUTION

Indica una situazione pericolosa che, se non evitata, potrebbe provocare lesioni medie o minori.

NOTICE

Indica una situazione che, se non evitata, potrebbe danneggiare la proprietà.

Altri livelli di messaggio

Important

Indica informazioni importanti, essenziali per il corretto funzionamento del dispositivo.

Note

Indica informazioni utili che aiutano a ottenere il massimo dal dispositivo.

Istruzioni per la sicurezza

⚠ WARNING

Il dispositivo Axis deve essere installato da un professionista qualificato, in conformità alle leggi e alle disposizioni locali.

NOTICE

- Il dispositivo Axis deve essere utilizzato in conformità alle leggi e alle normative locali.
- Questo prodotto è destinato all'uso professionale.
- Installare il prodotto a una distanza di sicurezza dai bambini.
- Axis consiglia l'uso di un cavo di rete schermato (STP).
- Per utilizzare il dispositivo Axis in ambienti esterni o in ambienti simili, deve essere installato in una custodia per esterni approvata.
- Conservare il dispositivo Axis in un ambiente asciutto e ventilato.
- Evitare di esporre il dispositivo Axis a urti o pressioni eccessive.
- Evitare di esporre il dispositivo Axis a vibrazione.
- Installare il dispositivo usando le viti e i tasselli adatti al materiale (ad esempio legno, metallo, cartongesso, pietra).
- Non installare il dispositivo su supporti, superfici, pareti o pali instabili.
- Non installare il dispositivo su supporti, superfici, pareti o pali che vibrano.
- Utilizzare solo strumenti applicabili quando si installa il prodotto Axis. Se si utilizza una forza eccessiva con strumenti non adatti è possibile causare danni al dispositivo.
- Usare un panno morbido inumidito con acqua pura tiepida per pulire il dispositivo.
- Non utilizzare sostanze chimiche come detersivi per vetri o acetone per pulire il dispositivo.
- Utilizzare solo accessori compatibili con le specifiche tecniche del dispositivo. Questi possono essere forniti da Axis o da terze parti.

Axis consiglia l'uso dell'apparecchiatura di alimentazione Axis compatibile con il dispositivo.

- Utilizzare solo parti di ricambio fornite o consigliate da Axis.
- Non tentare di riparare il dispositivo da soli. Contattare l'assistenza o il rivenditore Axis per questioni relative alla manutenzione.
- Se utilizzato con un carico induttivo, collegare un diodo in parallelo al carico per proteggere il dispositivo da sovratensioni.
- L'alimentatore dovrebbe essere collegato a una presa di corrente vicina al dispositivo e facilmente accessibile.
- Utilizzare una sorgente di alimentazione limitata (LPS) con una potenza di uscita nominale limitata a ≤ 100 W e una corrente d'uscita nominale limitata a ≤ 5 A.

Trasporto

NOTICE

- Conservare l'imballaggio di protezione. Durante il trasporto del dispositivo Axis, l'imballaggio di protezione deve essere ricollocato nella sua posizione originale.
- Durante il trasporto del dispositivo Axis, utilizzare l'imballaggio originale o equivalente per evitare danni al dispositivo.

Batteria

Il dispositivo Axis utilizza una batteria al litio da 3 V BR2032 come alimentazione per il suo orologio in tempo reale (RTC) interno. In condizioni normali questa batteria avrà una durata minima di cinque anni.

Una bassa carica della batteria influisce sul funzionamento dell'orologio in tempo reale, facendolo resettare a ogni accensione. Quando la tensione della batteria è bassa, un messaggio di registro viene visualizzato nel report del server del dispositivo.

CAUTION

Non sostituire la batteria da soli. Contattare l'assistenza di Axis se il messaggio di registro richiede una sostituzione della batteria.

Le batterie a bottone al litio da 3 V contengono 1,2-dimetossietano; etere dimetilico di glicole etilenico (EGDME), CAS n. 110-71-4.

Español

Información de seguridad

Niveles de peligro

DANGER

Indica una situación peligrosa que, si no se evita, provocará lesiones graves o la muerte.

WARNING

Indica una situación peligrosa que, si no se evita, puede provocar lesiones graves o la muerte.

CAUTION

Indica una situación peligrosa que, si no se evita, puede provocar lesiones moderadas o leves.

NOTICE

Indica una situación peligrosa que, si no se evita, puede provocar daños materiales.

Otros niveles de mensaje

Important

Indica información importante que es fundamental para que el producto funcione correctamente.

Note

Indica información útil que ayuda a aprovechar el producto al máximo.

Instrucciones de seguridad

WARNING

El producto de Axis debe instalarse por un profesional formado conforme a las leyes y normativas locales.

NOTICE

- Este producto de Axis debe utilizarse de acuerdo con las leyes y normativas locales.
- Este producto es para uso profesional.
- Instale este producto a una distancia segura de los niños.
- Axis recomienda utilizar un cable de red blindado (STP).
- Para usar el producto de Axis en exteriores, o en entornos similares, debe instalarse en una carcasa exterior aprobada.
- Almacene el producto de Axis en un entorno seco y ventilado.
- Evite exponer el producto Axis a golpes o presiones excesivas.
- Evite la exposición del producto de Axis a vibraciones.
- Instale el producto utilizando los tornillos y tacos adecuados para el material (por ejemplo, madera, metal, placas de yeso, piedra, etc.).
- No instale el producto en postes, soportes, superficies o paredes inestables.
- No instale el producto en postes, soportes, superficies o paredes que vibren.
- Use solo las herramientas adecuadas al instalar el producto Axis. La aplicación de una fuerza

excesiva con herramientas eléctricas puede provocar daños en el producto.

- Utilice un paño suave humedecido con agua pura y tibia para limpiar el dispositivo.
- No utilice productos químicos como un limpiacristales o acetona para limpiar el dispositivo.
- Utilice solo accesorios que cumplan con las especificaciones técnicas de su producto. Puede obtenerlos de Axis o de un tercero. Axis recomienda utilizar un equipo de suministro de alimentación de Axis compatible con su producto.
- Utilice solo piezas de recambio suministradas o recomendadas por Axis.
- No intente reparar el producto usted mismo. Contacte con el servicio de asistencia de Axis o a su distribuidor de Axis para cualquier tema relacionado con el mantenimiento.
- Cuando se utiliza con una carga inductiva, conecte un diodo en paralelo a la carga como protección contra transitorios de tensión.
- La fuente de alimentación se enchufará a una toma de conector instalada cerca del producto y a la que se podrá acceder fácilmente.
- Use una fuente de alimentación limitada (LPS) con una potencia nominal de salida limitada a ≤ 100 W y una corriente nominal de salida limitada a ≤ 5 A.

Transporte

NOTICE

- Mantenga el embalaje de protección. Cuando transporte el producto de Axis, el embalaje de protección debe volver a ponerse en su posición original.
- Cuando transporte el producto de Axis, utilice el embalaje original o un equivalente para evitar daños en el producto.

Batería

Este producto de Axis utiliza una batería de litio BR2032 de 3,0 V como fuente de alimentación del reloj interno en tiempo real. En condiciones normales, esta batería durará un mínimo de cinco años.

Un nivel bajo de batería afectará al funcionamiento del reloj en tiempo real, lo que provocará el restablecimiento de este cada vez que se encienda el producto. Cuando la tensión de la batería esté baja, aparecerá un mensaje de registro en el informe del servidor del producto.

CAUTION

No sustituya la batería usted mismo. Póngase en contacto con el servicio de asistencia técnica de Axis si el mensaje de registro solicita un cambio de batería.

Las pilas de botón de litio de 3,0 V contienen 1,2-dimetoxietano; éter dimetilico de etilenglicol (EGDME), n.º CAS 110-71-4.

日本語

安全情報

危険レベル

DANGER

回避しない場合、死亡または重傷につながる危険な状態を示します。

WARNING

回避しない場合、死亡または重傷につながるおそれのある危険な状態を示します。

CAUTION

回避しない場合、軽傷または中程度の怪我につながるおそれのある危険な状態を示します。

NOTICE

回避しない場合、器物の破損につながるおそれのある状態を示します。

その他のメッセージレベル

Important

製品を正しく機能させるために不可欠な重要情報を示します。

Note

製品を最大限に活用するために役立つ有用な情報を示します。

安全に関する指示

WARNING

本製品の設置は、お使いになる地域の法律や規制に準拠して、訓練を受けた専門技術者が行ってください。

NOTICE

- 本製品は、お使いになる地域の法律や規制に準拠して使用してください。
- 本製品は業務用です。
- 本製品はお子様の手の届かない場所に設置してください。
- Axisは、シールドネットワークケーブル (STP) の使用を推奨します。
- 本製品を屋外またはそれに準じる環境で

を使用する場合は、認定済みの屋外用筐体に収納して設置する必要があります。

- 本製品は乾燥した換気のよい環境に保管してください。
- 本製品に衝撃または強い圧力を加えないでください。
- 本製品に振動を加えないでください。
- 材質(木材、金属、シートロック、石材など)に適したネジとプラグを使用して本製品を設置してください。
- 本製品を不安定なポール、ブラケット、表面、または壁に設置しないでください。
- 本製品を振動するポール、ブラケット、表面、または壁に設置しないでください。
- 本製品を設置する際には、適切な工具のみを使用してください。電動工具を使用して過剰な力をかけると、製品が損傷することがあります。
- 装置のクリーニングには、ぬるま湯で湿らせた柔らかい布を使用してください。
- 窓ガラス用洗剤やアセトンなどの化学薬品を使用して装置をクリーニングしないでください。
- 製品の技術仕様に準拠したアクセサリのみを使用してください。これらのアクセサリは、Axisまたはサードパーティから入手できます。Axisは、ご使用の製品と互換性のあるAxis給電ネットワークスイッチの使用を推奨します。
- Axisが提供または推奨する交換部品のみを使用してください。
- 製品を自分で修理しないでください。修理については、Axisサポートまたは販売代理店にお問い合わせください。
- 誘導負荷と共に使用する場合は、過渡電圧から保護するために、負荷と並列にダイオードを接続してください。
- 電源は、製品の近くで簡単に手の届く場所にあるコンセントに接続してください。
- 定格出力電力が100W以下、定格出力電流が5A以下に制限された有限電源(LPS)を使用してください。

輸送

NOTICE

- 保護包装は保管しておいてください。本製品を輸送する際には、必ず保護包装を元の位置に戻してください。
- 本製品を運搬する際は、製品が損傷しないよう、元の梱包が同等の梱包を使用してください。

バッテリー

本製品は、内部リアルタイムクロック(RTC)用電源として、3.0V BR2032リチウムバッテリー

を使用します。このバッテリーは、通常条件下で最低5年間使用できます。

バッテリーが低電力状態になると、RTCの動作に影響し、電源を入れるたびにRTCがリセットされます。バッテリーの電圧が低下すると、製品のサーバーレポートにログメッセージが表示されます。

▲ CAUTION

自分でバッテリーを交換しないでください。バッテリー交換を求めるログメッセージが表示された場合は、Axisサポートにお問い合わせください。

リチウムコイン型3.0V電池は、1,2-ジメトキシエタン(エチレングリコールジメチルエーテル(EGDME)、CAS番号110-71-4)を含有しています。

Português

Informações sobre segurança

Níveis de perigo

▲ DANGER

Indica uma situação perigosa que, se não evitada, irá resultar em morte ou lesões graves.

▲ WARNING

Indica uma situação perigosa que, se não evitada, poderá resultar em morte ou lesões graves.

▲ CAUTION

Indica uma situação perigosa que, se não evitada, poderá resultar em lesões leves ou moderadas.

NOTICE

Indica uma situação perigosa que, se não evitada, poderá resultar em danos à propriedade.

Outros níveis de mensagens

Important

Indica informações significativas que são essenciais para o produto funcionar corretamente.

Note

Indica informações úteis que ajudam a obter o máximo do produto.

Instruções de segurança

▲ WARNING

O produto Axis deve ser instalado por um profissional treinado e de acordo com as leis e regulamentações locais.

NOTICE

- O produto Axis deve ser usado em conformidade com as leis e regulamentações locais.
- Este produto destina-se ao uso profissional.
- Instale este produto a uma distância segura de crianças.
- A Axis recomenda usar um cabo de rede blindado (STP).
- Para usar o produto Axis em ambientes externos ou semelhantes, ele deverá ser instalado em uma caixa aprovada para uso externo.
- Armazene o produto Axis em um ambiente seco e ventilado.
- Evite expor o produto Axis a impactos ou pressão elevada.
- Evite expor o produto Axis a vibrações.
- Instale o produto usando parafusos e buchas adequados para o material (por exemplo, madeira, metal, alvenaria, pedra).
- Não instale o produto em suportes, mastros, superfícies ou paredes instáveis.
- Não instale o produto em suportes, mastros, superfícies ou paredes com vibrações.
- Use apenas as ferramentas recomendadas ao instalar o produto Axis. O uso de força excessiva com ferramentas elétricas poderia danificar o produto.
- Use um pano macio umedecido com água morna para limpar o dispositivo.
- Não use produtos químicos como limpa-vidros ou acetona para limpar o dispositivo.
- Utilize apenas acessórios que atendam às especificações técnicas do produto. Esses poderão ser fornecidos pela Axis ou por terceiros. A Axis recomenda usar equipamento de fonte de alimentação Axis compatível com seu produto.
- Utilize apenas peças sobressalentes fornecidas ou recomendadas pela Axis.
- Não tente reparar o produto por conta própria. Entre em contato com o suporte ou seu revendedor Axis para quaisquer questões relacionadas a serviços.
- Quando usada com uma carga indutiva, conecte um diodo em paralelo com a carga para proteger contra transientes de tensão.
- A fonte de alimentação deve ser conectada em uma tomada elétrica instalada próxima ao produto e deverá poder ser acessada com facilidade.
- Use uma fonte de energia com limitação (LPS) com potência de saída nominal restrita a ≤ 100 W e corrente de saída nominal restrita a ≤ 5 A.

Transporte

NOTICE

- Guarde a embalagem protetora. Ao transportar o produto Axis, recoloque a embalagem protetora em sua posição original.
- Ao transportar o produto Axis, use a embalagem original ou equivalente para evitar danos ao produto.

Bateria

Este produto Axis usa uma bateria de lítio BR2032 de 3,0 V como fonte de alimentação para seu relógio interno de tempo real (RTC). Em condições normais, a vida útil mínima desta bateria é de cinco anos.

Se a carga da bateria estiver baixa, a operação do RTC será afetada, fazendo com que ele seja reiniciado toda vez que o sistema for ligado. Quando a tensão da bateria estiver baixa, uma mensagem de log será exibida no relatório do servidor do produto.

▲ CAUTION

Não substitua a bateria por conta própria. Entre em contato com o suporte da Axis se a mensagem do log solicitar uma substituição de bateria.

As baterias tipo célula de íons de lítio de 3,0 V contêm 1,2-dimetoxietano; etileno glicol éter dimetilico (EGDME), nº CAS 110-71-4.

РУССКИЙ

Сведения по безопасности

Уровни опасности

▲ DANGER

Опасная ситуация, которая, если ее не устранить, приведет к смерти или опасным травмам.

▲ WARNING

Опасная ситуация, которая, если ее не устранить, может привести к смерти или опасным травмам.

▲ CAUTION

Опасная ситуация, которая, если ее не устранить, может привести к травмам незначительной или средней тяжести.

NOTICE

Опасная ситуация, которая, если ее не устранить, может вызвать повреждение имущества.

Прочие уведомления

Important

Означает существенную информацию, которая важна для правильной работы изделия.

Note

Означает полезную информацию, которая помогает использовать все возможности изделия.

Инструкции в экстренных ситуациях

⚠ WARNING

Монтаж этого устройства Axis должен производиться обученным специалистом в полном соответствии с местными законами и нормативными требованиями.

NOTICE

- Это изделие Axis следует использовать в соответствии с местными законами и нормативами.
- Это изделие предназначено для профессионального использования.
- Устанавливайте изделие на безопасном расстоянии от детей.
- Компания Axis рекомендует использовать экранированный сетевой кабель (STP).
- Для использования устройства Axis на открытом воздухе или в иной среде с аналогичными характеристиками оно должно быть установлено в кожухе, предназначенном для наружной установки.
- Камера Axis должна храниться в сухом, хорошо проветриваемом помещении.
- Не допускайте ударов или сильного давления на устройство Axis.
- Избегайте вибрационного воздействия на устройство Axis.
- Смонтируйте устройство с помощью винтов и дюбелей, подходящих для данного материала (дерево, металл, гипсоцементная плита, камень).
- Не монтируйте устройство на неустойчивых столбах, кронштейнах, поверхностях или стенах.
- Не монтируйте устройство на вибрирующих столбах, кронштейнах, поверхностях или стенах.
- При установке устройства Axis используйте только предназначенные для этого инструменты. Приложение чрезмерных усилий к инструментам может привести к повреждению устройства.
- Для очистки устройства используйте мягкую ткань, смоченную в чистой умеренно теплой воде.
- Не используйте для очистки устройства средство для мытья окон, ацетон и другие подобные химические вещества.
- Используйте только принадлежности, которые соответствуют техническим характеристикам данного устройства. Они могут поставляться компанией Axis или

сторонним производителем. Компания Axis рекомендует использовать блоки питания Axis, совместимые с устройством.

- Используйте только запасные части, поставляемые или рекомендованные компанией Axis.
- Не пытайтесь отремонтировать устройство самостоятельно. По вопросам обслуживания обращайтесь в службу поддержки Axis или к своему реселлеру Axis.
- При подключении индуктивной нагрузки, параллельно нагрузке следует включить диод для защиты от переходных напряжений.
- Блок питания следует включать в розетку, которая должна быть легко доступной и располагаться недалеко от изделия.
- В целях безопасности используйте источник питания ограниченной мощности, у которого номинальная выходная мощность составляет ≤ 100 Вт, а номинальный выходной ток ≤ 5 А.

Транспортировка

NOTICE

- Не выбрасывайте защитную упаковку. При транспортировке устройства Axis защитная упаковка должна быть возвращена на прежнее место.
- При транспортировке устройства Axis используйте оригинальную упаковку или ее эквивалент во избежание повреждения изделия.

Батарея

В качестве источника питания для внутренних часов реального времени в этом устройстве Axis используется литиевая батарея 2032 с напряжением 3 В. При нормальных условиях эта батарея способна работать не менее пяти лет.

При низком заряде батареи часы реального времени будут сбрасываться при каждом выключении устройства. При пониженном напряжении батареи в отчете сервера устройства будет содержаться соответствующее сообщение журнала.

⚠ CAUTION

Не заменяйте батарею самостоятельно. Если сообщение журнала содержит запрос на замену батареи, обратитесь в службу поддержки Axis.

Плоские литиевые батареи (3,0 В) содержат 1,2-диметоксизтан — диметилловый эфир этиленгликоля (EGDME), CAS № 110-71-4.

中文

安全信息

危险等级

▲ DANGER

表示如果不避免则会导致死亡或严重伤害的危险情况。

▲ WARNING

表示如果不避免则可能导致死亡或严重伤害的危险情况。

▲ CAUTION

表示如果不避免则可能导致轻微或中度伤害的危险情况。

NOTICE

表示如果不避免则可能导致财产损失的情况。

其他消息等级

Important

表示产品正常工作所必需的重要信息。

Note

表示有助于充分利用产品的有用信息。

安全说明

▲ WARNING

安讯士产品应由受过培训的专业人员进行安装，并遵守当地法律和法规。

NOTICE

- 使用安讯士产品时应遵守当地法律和法规。
- 本产品供专业人士使用。
- 安装本产品时，请与儿童保持安全距离。
- 安讯士推荐使用屏蔽网络电缆 (STP)。
- 要在室外或类似环境中使用安讯士产品，应将该产品安装在获得批准的室外防护罩中。
- 在干燥通风的环境中存放安讯士产品。
- 避免将安讯士产品暴露在冲击或重压下。
- 避免将安讯士产品暴露在振动中。
- 使用适用于该材质（如木质、金属、石膏板、石头）的螺丝和塞子安装产品。
- 请勿将本产品安装在不稳定的立杆、支架、表面或墙壁上。
- 请勿将本产品安装在振动的立杆、支架、表面或墙壁上。
- 安装安讯士产品时，仅使用适用的工具。

使用电动工具过度施力可能导致产品损坏。

- 使用蘸有温水的软布清洁设备。
- 请勿使用窗户清洁剂或丙酮等化学品来清洁设备。
- 仅使用符合产品技术规格的附件。这些附件可由安讯士或第三方提供。安讯士推荐使用与产品兼容的安讯士电源设备。
- 仅使用安讯士提供或推荐的备件。
- 请勿尝试自行维修产品。有关服务事项，请联系安讯士支持部门或安讯士经销商。
- 当与电感负载一起使用，则将整流管与负载并联连接，以防止电压瞬变。
- 电源应插入安装在产品附近的插座上并易于触及。
- 使用额定输出功率限制为 $\leq 100\text{ W}$ 和额定输出电流限制为 $\leq 5\text{ A}$ 的限制电源 (LPS)。

运输

NOTICE

- 保留防护包装。在运输安讯士产品时，防护性包装应在其原有位置上。
- 安讯士产品运输途中，应使用其原包装或等效包装，以防对产品造成损坏。

电池

安讯士产品使用 3.0 V BR2032 锂电池作为其内部实时时钟 (RTC) 的电源。在正常情况下，此电池将持续至少五年。

蓄电池电量过低会影响实时时钟的运行，从而导致实时时钟在每次上电时重置。当电池电压较低时，产品的服务器报告中将显示一条日志消息。

▲ CAUTION

请勿自行更换电池。如果日志消息要求更换电池，请联系安讯士支持部门。

3.0 V 纽扣锂电池内含 1,2-二甲氧基乙烷；乙二醇二甲醚 (EGDME)，CAS 编号为 110-71-4。

한국어

안전 정보

위험 레벨

▲ DANGER

피하지 못한 경우 사망이나 심각한 부상이 발생하는 위험한 상황을 나타냅니다.

▲ WARNING

피하지 못한 경우 사망이나 심각한 부상이 발생할 수 있는 위험한 상황을 나타냅니다.

▲ CAUTION

피하지 못한 경우 경미하거나 심하지 않은 부상이 발생할 수 있는 위험한 상황을 나타냅니다.

NOTICE

피하지 못한 경우 재산상 손해가 발생할 수 있는 상황을 나타냅니다.

기타 메시지 레벨

Important

제품이 올바르게 작동하는 데 필수적인 중요 정보를 나타냅니다.

Note

제품을 최대한으로 활용하는 데 도움이 되는 유용한 정보를 나타냅니다.

안전 지침

▲ WARNING

Axis 제품은 교육받은 전문가에 의해 설치되어야 하며 해당 지역 법률과 규정을 준수하여 사용해야 합니다.

NOTICE

- Axis 제품은 해당 지역 법률 및 규정을 준수하여 사용해야 합니다.
- 이 제품은 전문가용입니다.
- 이 제품은 어린이로부터 안전한 거리에 설치하십시오.
- Axis는 차폐 네트워크 케이블(STP) 사용을 권장합니다.
- 실외 또는 실외와 유사한 환경에서 Axis 제품을 사용하려면 승인된 실외 하우징에 설치해야 합니다.
- Axis 제품은 건조하고 환기가 잘 되는 곳에 보관하십시오.
- Axis 제품에 충격이나 강한 압력을 가하지 마십시오.
- Axis 제품에 진동을 가하지 마십시오.
- 재질(예: 나무, 금속, 석고 보드, 돌)에 맞는 나사와 플러그를 사용하여 제품을 설치하십시오.
- 불안정한 폴, 브래킷, 표면 또는 벽면에 제품을 설치하지 마십시오.
- 진동이 있는 폴, 브래킷, 표면 또는 벽면에 제품을 설치하지 마십시오.
- Axis 제품을 설치할 때에는 적합한 도구만 사용하십시오. 전동 공구로 과도한 힘을 사용하면 제품에 손상을 줄 수 있습니다.
- 미지근한 물에 적신 부드러운 천으로 장치를 세척합니다.
- 창문 세정제나 아세톤과 같은 화학 물질을 사용하여 장치를 세척하지 마십시오.
- 제품의 기술적 사양을 준수하는 액세서리만 사용하십시오. 이러한 액세서리는 Axis 또는 제3자가 제공할 수 있습니다. Axis는

귀하의 제품과 호환되는 Axis 전원 장비 사용을 권장합니다.

- Axis가 공급하거나 추천하는 예비 부품만 사용하십시오.
- 제품을 직접 수리하려고 하지 마십시오. 서비스 문제에 대해 Axis 지원 부서 또는 Axis 리셀러에 문의하십시오.
- 유도 부하와 함께 사용할 경우 전압 과도 현상을 방지하도록 다이오드를 부하와 병렬로 연결해야 합니다.
- 전원 공급 장치는 제품 근처에 설치된 소켓 콘센트에 꽂아야 하며 쉽게 접근할 수 있어야 합니다.
- 정격 출력 전원이 100W 이하로 제한되고 정격 출력 전류가 5A 이하로 제한되는 제한 전원(LPS)을 사용하십시오.

운반

NOTICE

- 보호 패킹을 분리하지 마십시오. Axis 제품을 운반할 때에는 보호 패킹을 제자리에서 교체해야 합니다.
- Axis 제품을 운반할 때는 원래 포장이나 이에 준하는 포장을 사용해 제품이 손상되지 않도록 하십시오.

배터리

Axis 제품은 3.0V BR2032 리튬 배터리를 내부 RTC(real-time clock)의 전원으로 사용합니다. 정상 조건에서 이 배터리는 최소 5년간 사용할 수 있습니다.

배터리 전력이 부족하면 RTC의 작동에 영향을 주어 기기의 전원을 켤 때마다 RTC가 재설정됩니다. 배터리 전압이 낮으면 제품의 서버 리포트에 로그 메시지가 나타납니다.

▲ CAUTION

배터리를 직접 교체하지 마십시오. 로그 메시지가 배터리 교체를 요청하면 Axis 지원 센터에 문의하십시오.

리튬 코인 셀 3.0V 배터리는 1,2-디메톡시에탄, EGDME(ethylene glycol dimethyl ether), CAS no. 110-71-4를 포함하고 있습니다.

繁體中文

安全資訊

危險等級

▲ DANGER

表示如果不避免，此危險情況會導致死亡或嚴重傷害。

▲ WARNING

表示如果不避免，此危險情況可能導致死亡或嚴重傷害。

▲ CAUTION

表示如果不避免，此危險情況可能導致輕度或中度傷害。

NOTICE

表示如果不避免，此情況可能導致財產損壞。

安全指示**▲ WARNING**

應由受過訓練的專業人員，以符合當地法規的方式安裝 Axis 產品。

NOTICE

- Axis 產品的使用應符合當地法規。
- 本產品可用於專業用途。
- 將本產品安裝在遠離兒童之處，並保持適當距離以策安全。
- Axis 建議使用遮蔽型網路線 (STP)。
- 當在室外或類似環境中使用 Axis 產品時，應將產品安裝在經過認證的室外機殼中。
- 請將安訊士產品存放在乾燥且通風良好的環境中。
- 避免讓 Axis 產品受到衝擊或重壓。
- 避免讓 Axis 產品受到震動。
- 使用適用於材質的螺絲和插塞 (如木頭、金屬、石片、石材) 安裝產品。
- 請勿將產品安裝在不穩定的圓柱、支架、表面或牆壁上。
- 請勿將產品安裝在易受震動的圓柱、支架、表面或牆壁上。
- 安裝 Axis 產品時，僅可使用適合的工具。使用電動工具時，過度施力可能會造成產品損壞。
- 使用沾有純淨溫水的軟布清潔設備。
- 請勿使用窗戶清潔劑或丙酮等化學物質來清潔設備。
- 所有配件必須符合產品的技術規格。可由 Axis 或第三方供應商提供。Axis 建議使用相容於產品的 Axis 電源設備。
- 只使用 Axis 提供或推薦的備用零件。
- 請勿嘗試自行修理產品。請向 Axis 技術支援人員或 Axis 經銷商洽詢維修事宜。
- 如果用於電感性負載，請將一個二極體與負載並聯，以防止瞬態電壓。
- 電源供應器應該連接到安裝在產品附近的插座，方便拆裝。
- 使用額定輸出功率限制為 ≤ 100 W且額定輸出電流限制為 ≤ 5 A的有限電源 (LPS)。

運輸**NOTICE**

- 請保留有保護效果的包裝。當運送安訊士

產品時，應將有保護效果的原包裝材料包覆在原來的位置。

- 當運送安訊士產品時，請使用原包裝或有相同保護效果的包裝，以防止產品損壞。

電池

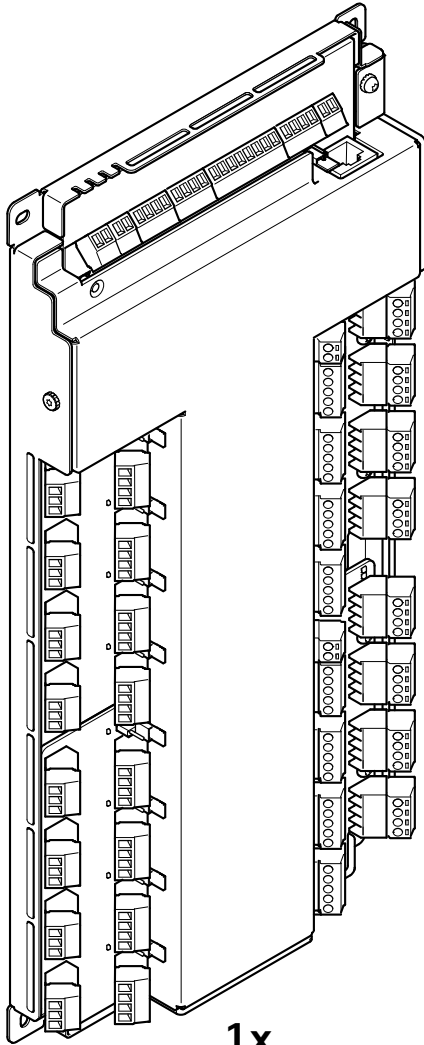
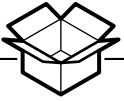
本 Axis 產品使用一顆 3.0 V BR2032 鋰電池做為其內建即時時鐘 (RTC) 的電源。在一般情況下，此電池可使用五年以上。

電量不足將影響 RTC 的運作，使其在每次開機時重設。當電池電壓不足時，產品的伺服器報告中會顯示一則記錄訊息。

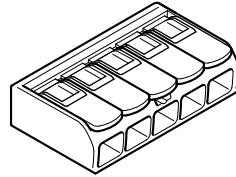
▲ CAUTION

請勿自行更換電池。如果記錄訊息要求更換電池，請聯絡 Axis 支援人員。

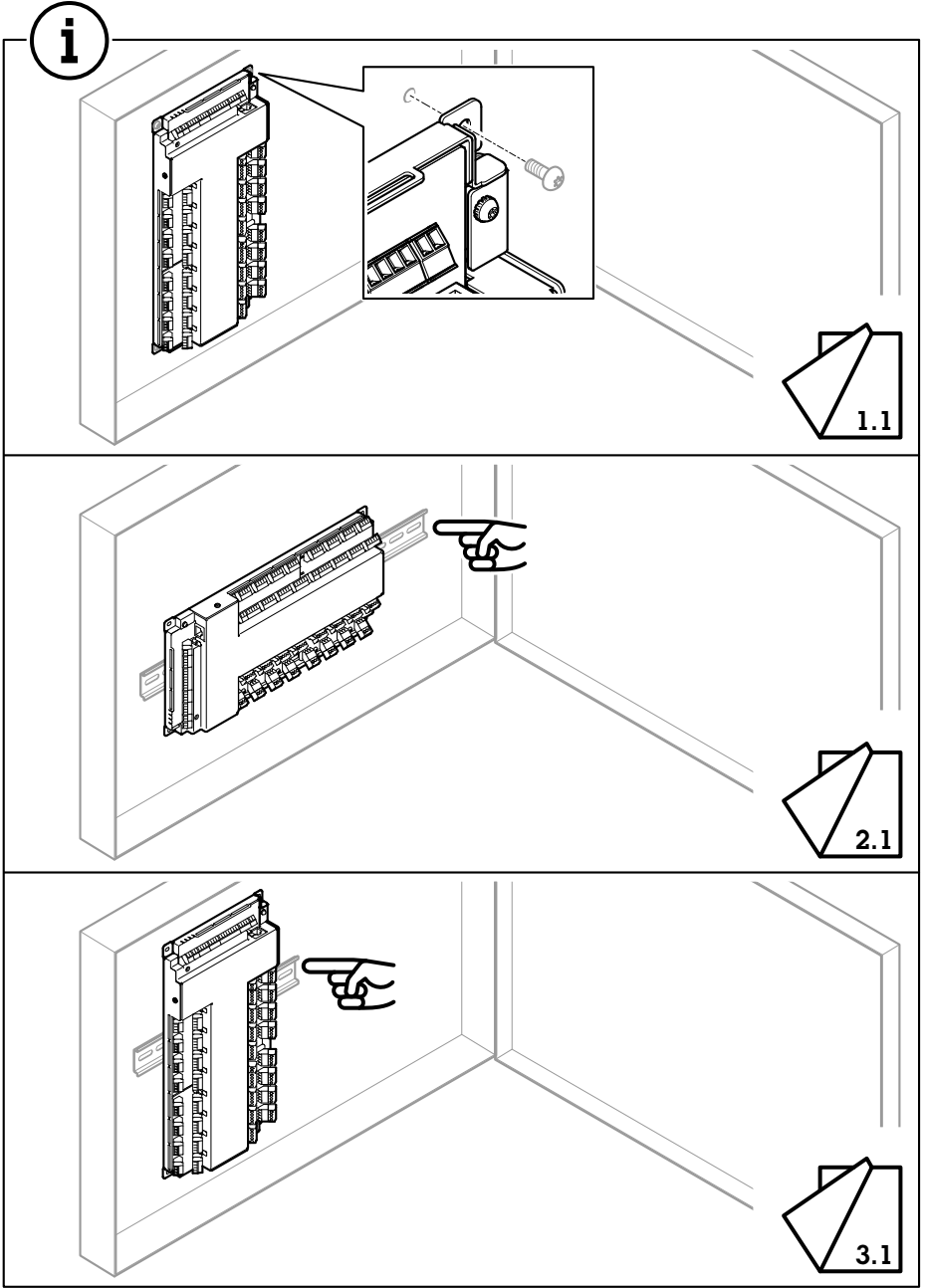
鋰離子 3.0 V 鈕扣電池內含二甲基溶纖劑 (1,2-dimethoxyethane)；乙二醇 (ethylene glycol) 二甲醚 (dimethyl ether) (EGDME)，CAS 編號 110-71-4。



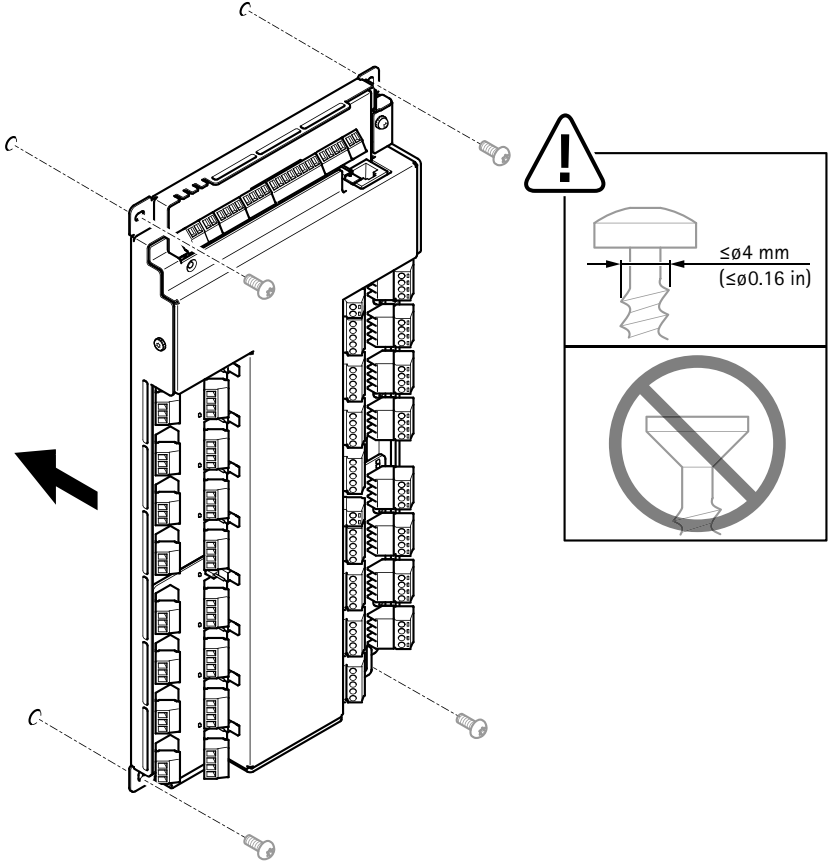
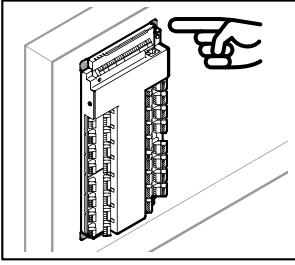
1x



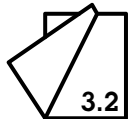
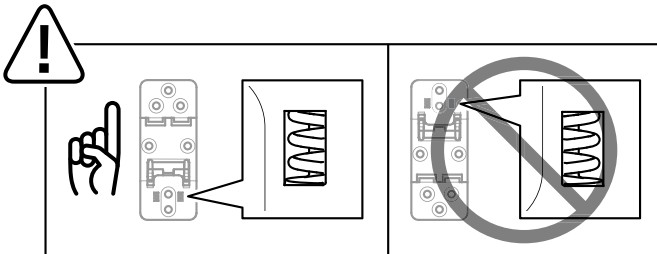
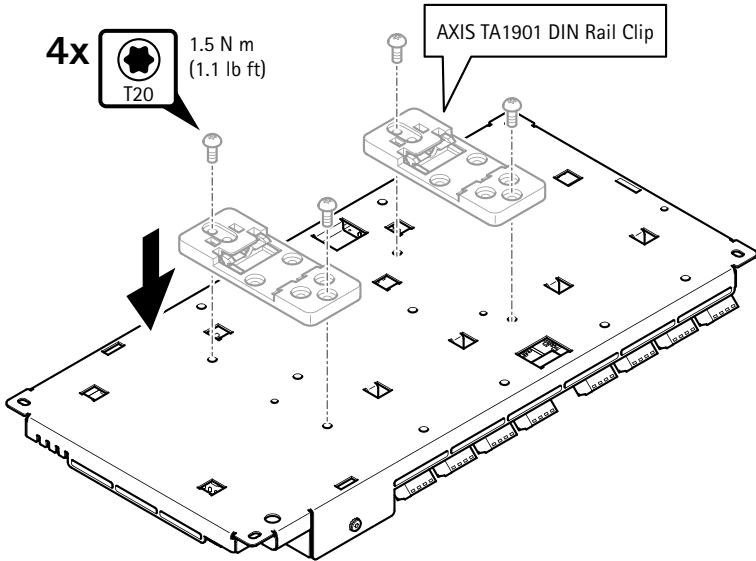
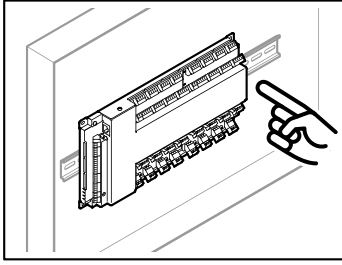
2x



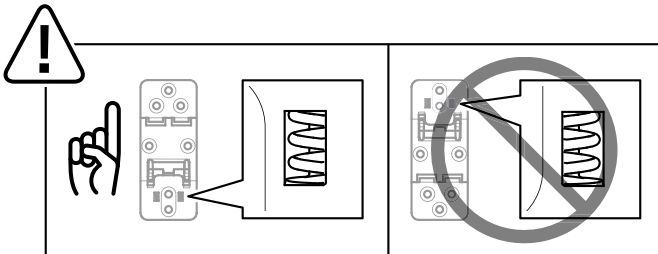
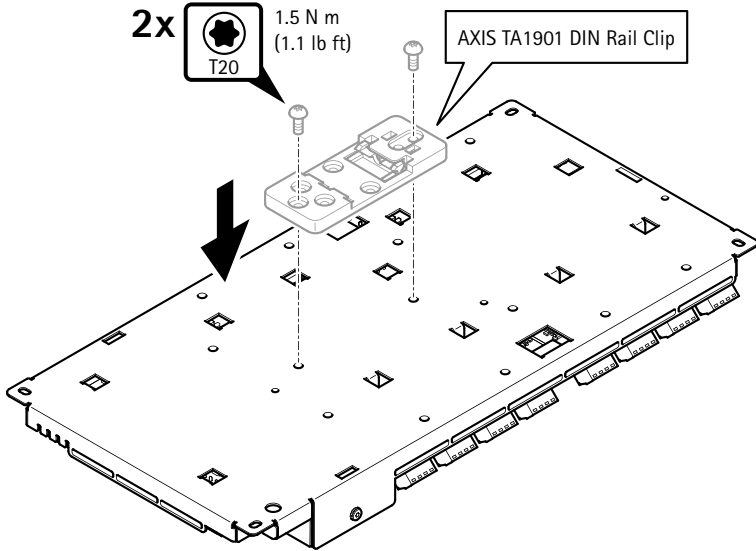
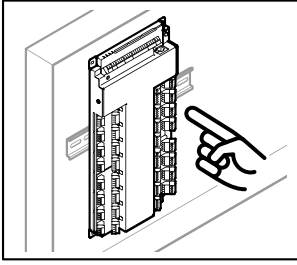
1.1



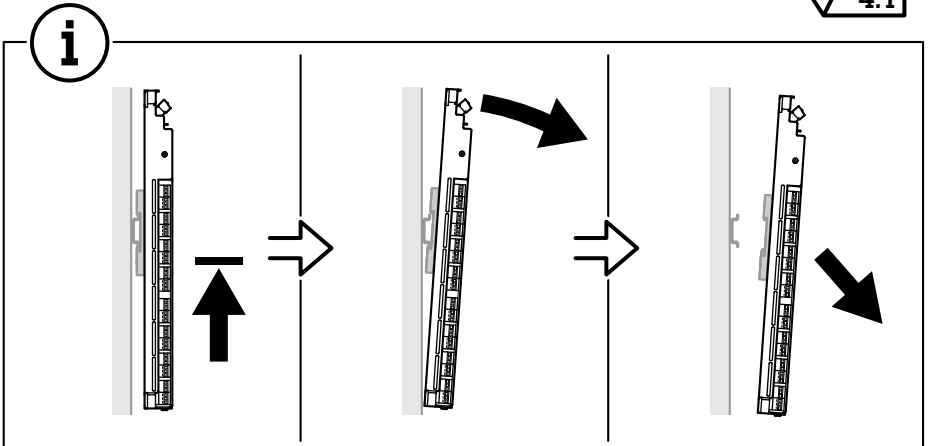
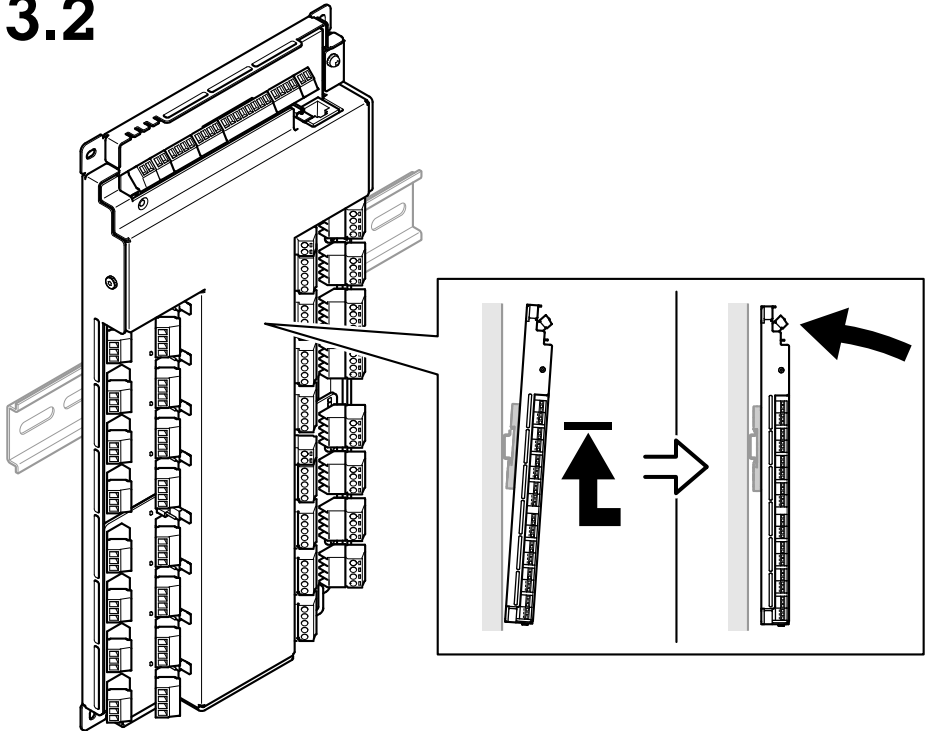
2.1



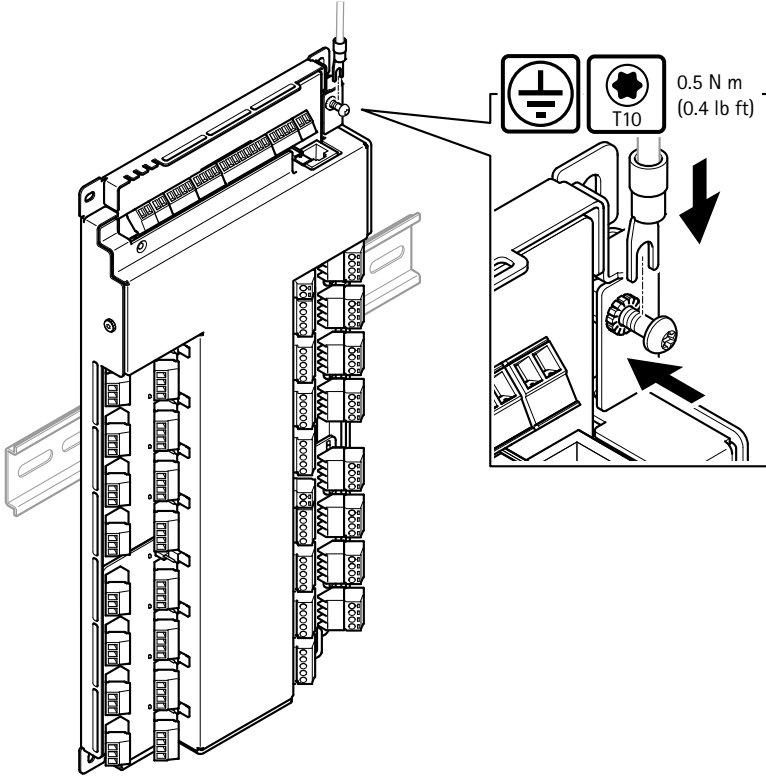
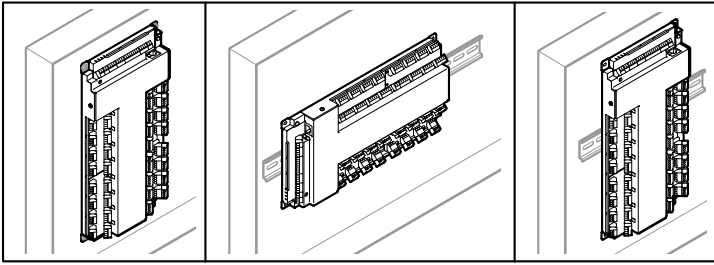
3.1



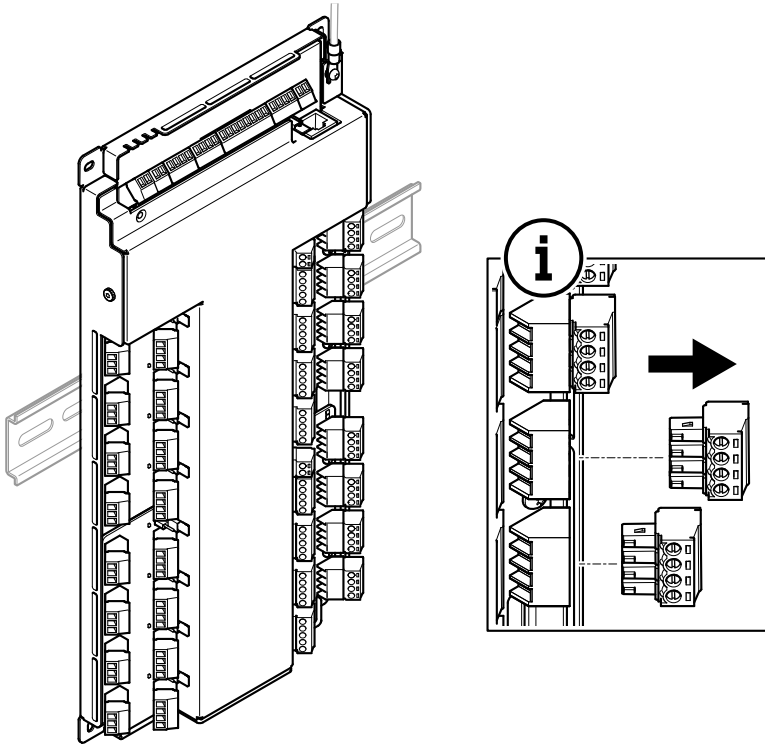
3.2



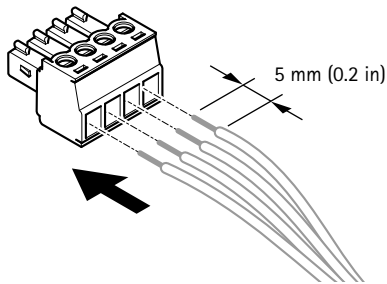
4.1



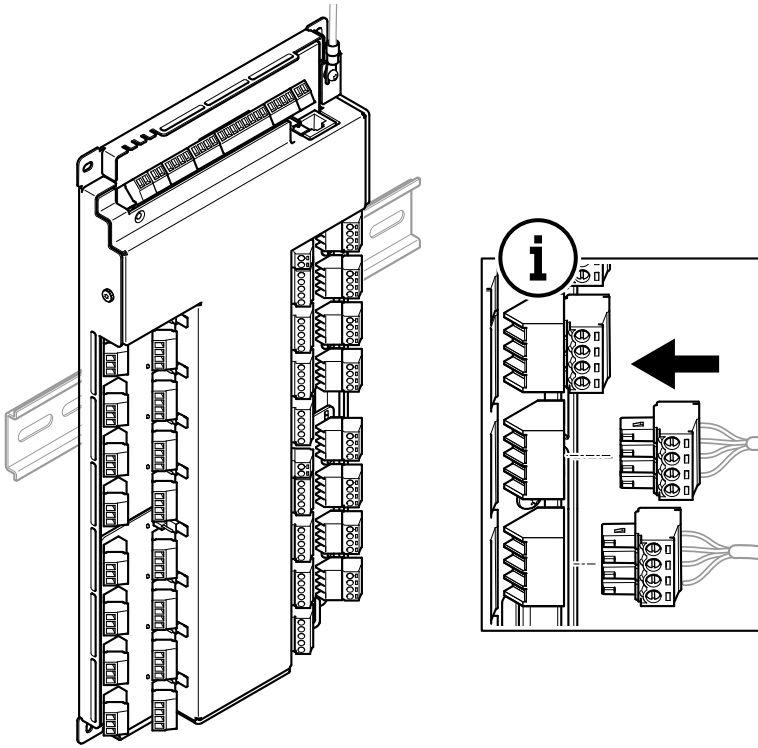
4.2

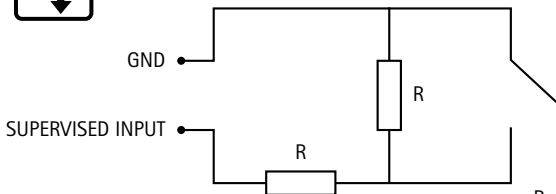
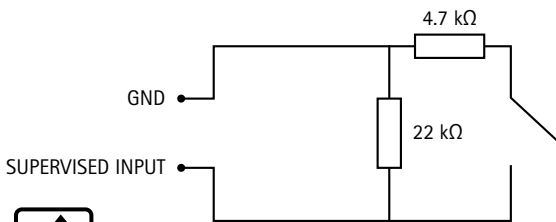
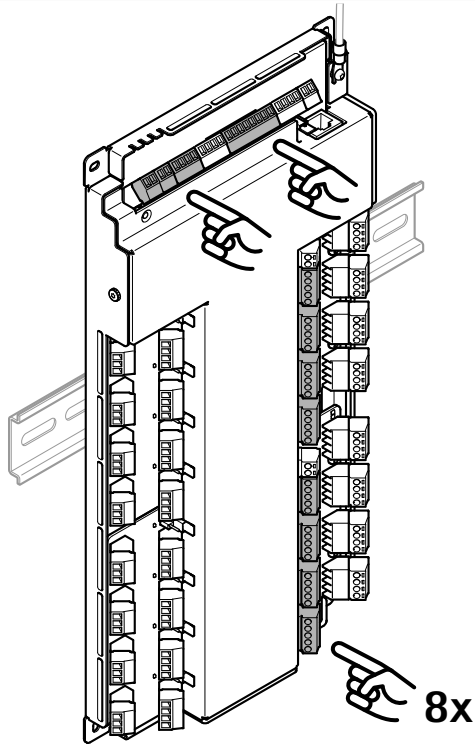


4.3

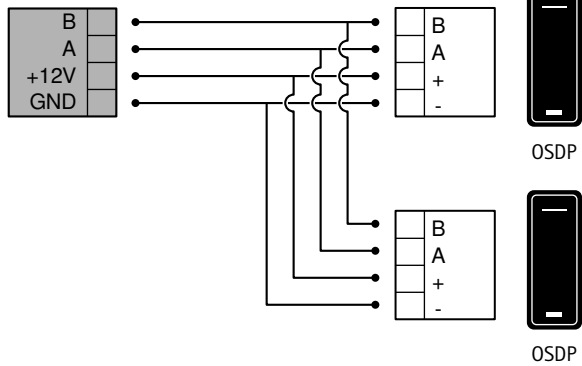
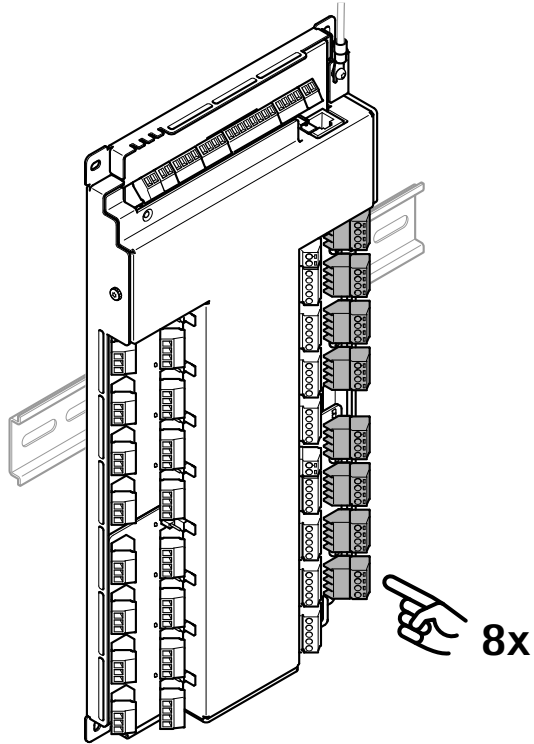


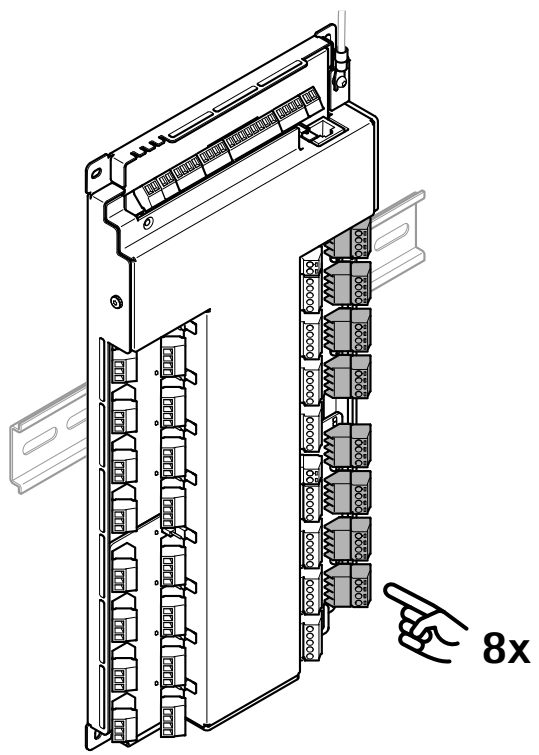
4.4



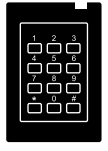
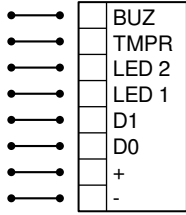
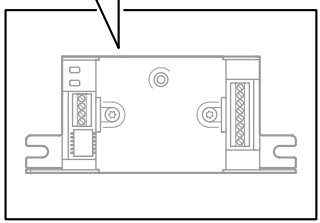
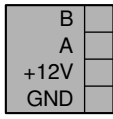


R=1.0 kΩ / 2.2 kΩ / 4.7 kΩ / 10 kΩ

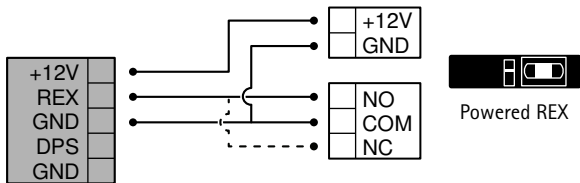
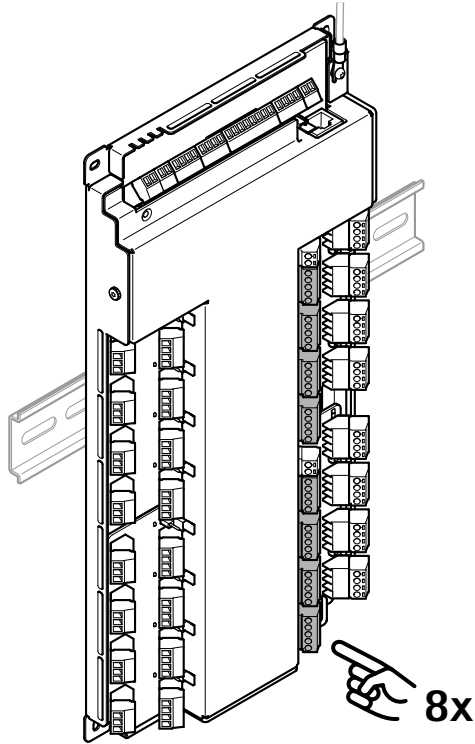




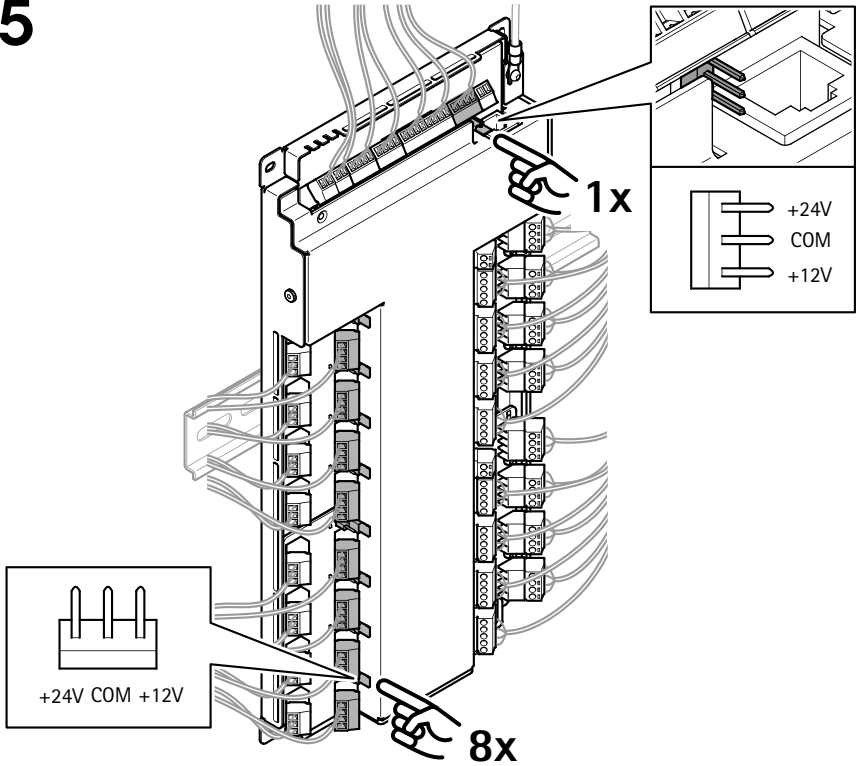
AXIS TA1101-B Wiegand to OSDP Converter



Wiegand

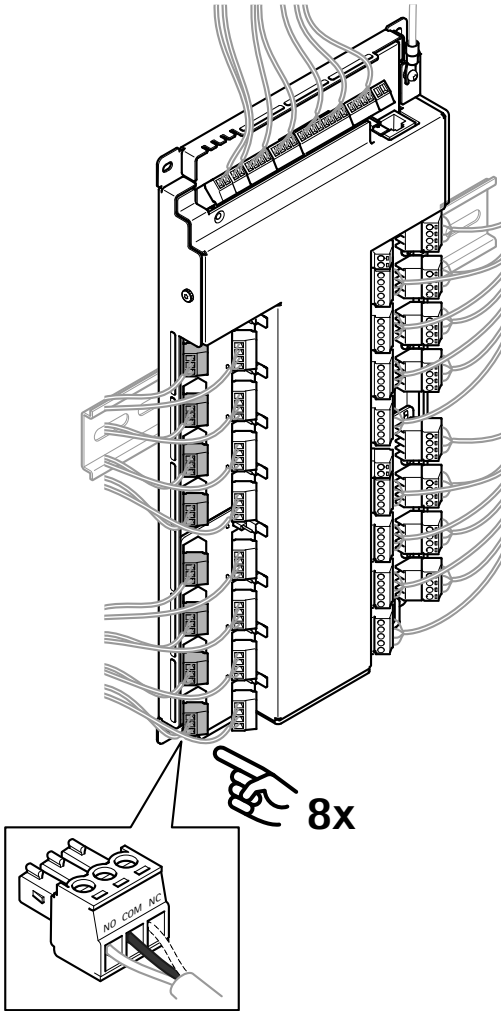


4.5

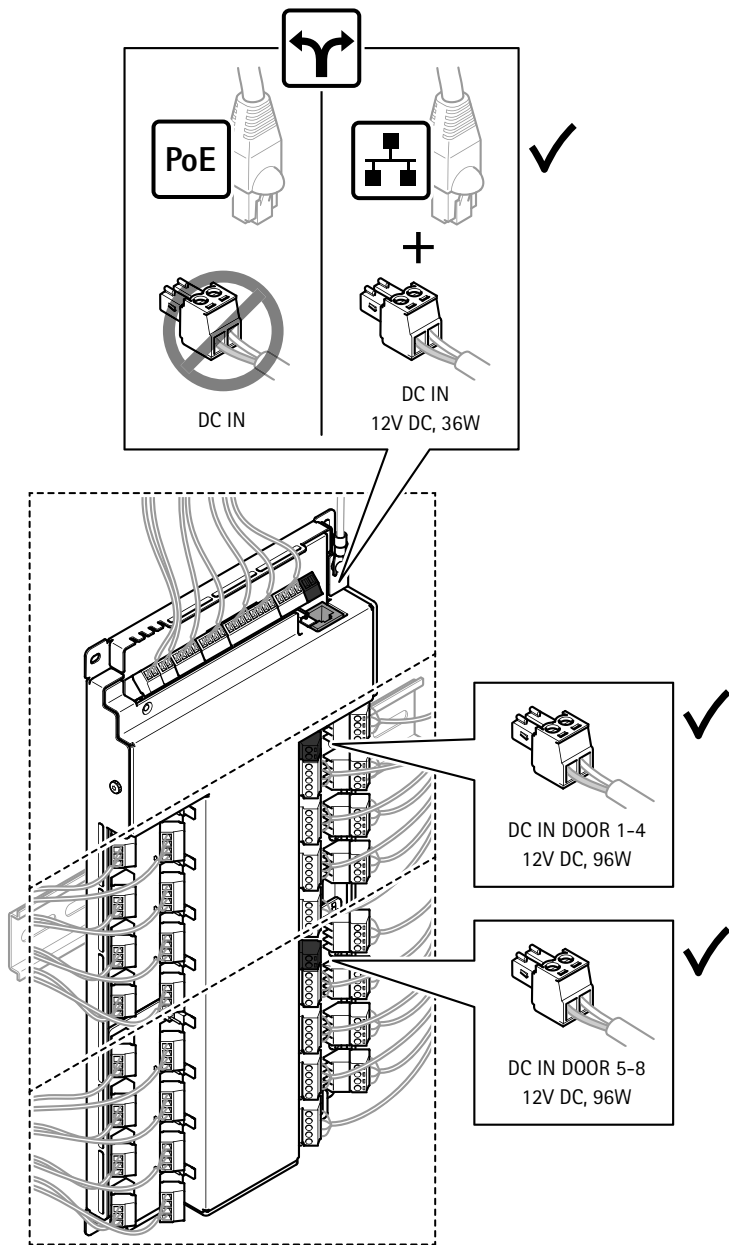


<p>+24V COM +12V</p>		
<p>+24V COM +12V</p>	<p>12V DC</p>	
<p>+24V COM +12V</p>	<p>24V DC</p>	

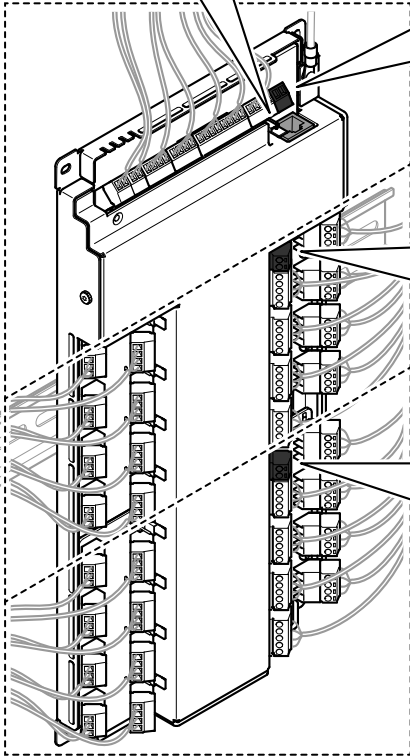
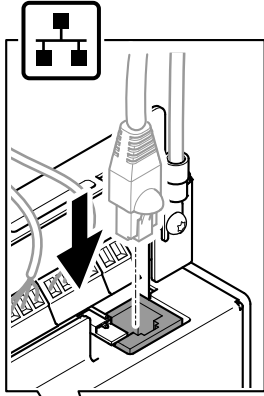
4.6



4.7



i



DC IN
12V DC, 36W



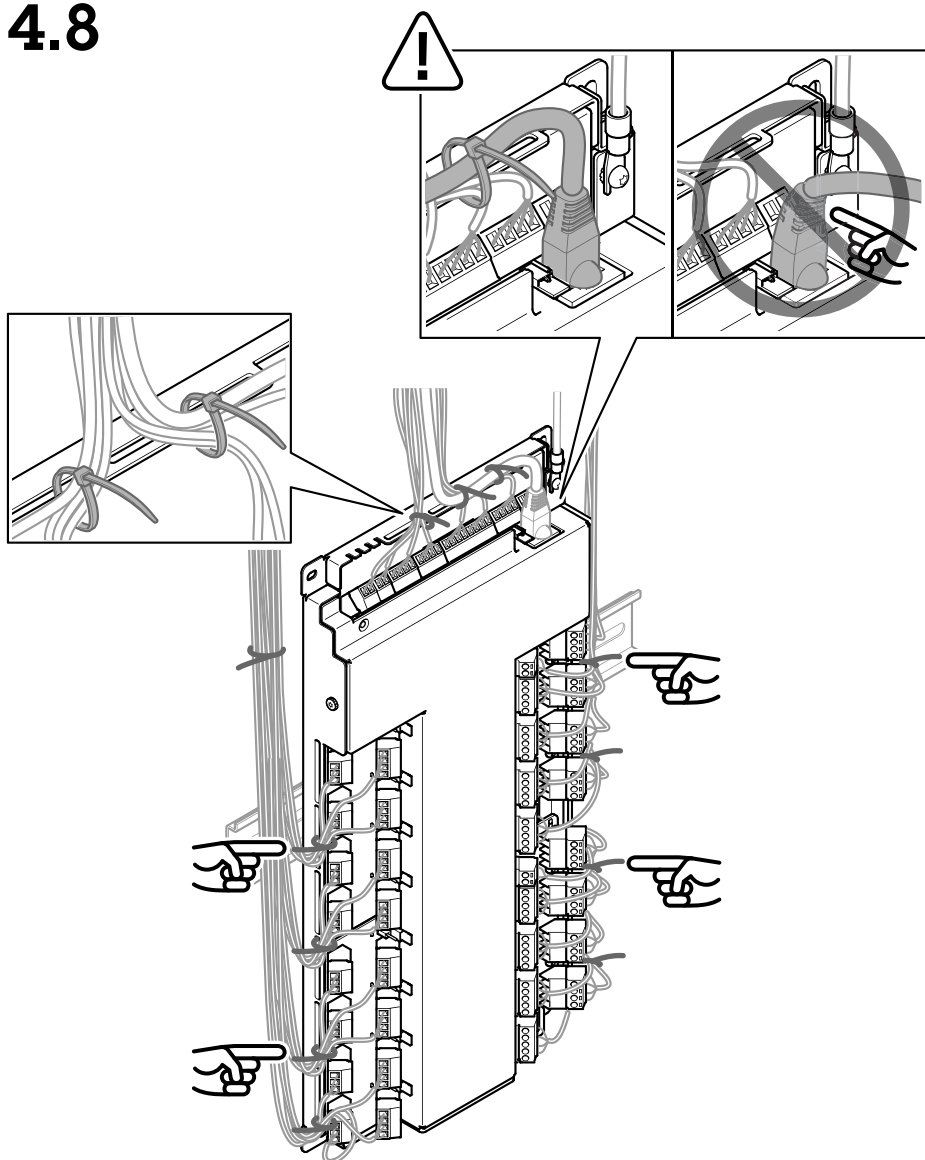
DC IN DOOR 1-4
12V DC, 96W



DC IN DOOR 5-8
12V DC, 96W



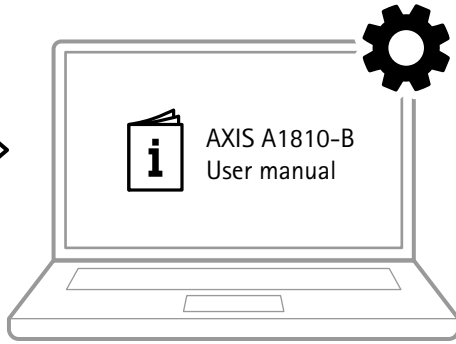
4.8



4.9



help.axis.com





3152733

2025-03 (M3.2)

© 2024 – 2025 Axis Communications AB