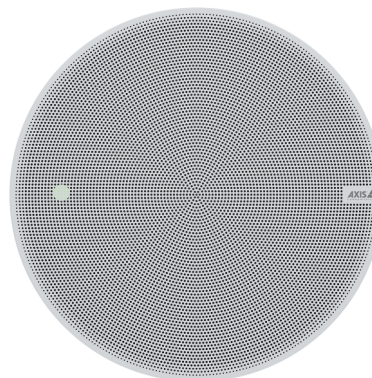


# AXIS C1211-E Network Ceiling Speaker

Discrete in-ceiling installation—small

AXIS C1211-E is an all-in-one speaker system that makes voice announcements smart and easy. It connects to standard network using one cable for both power (PoE) and connectivity. AXIS C1211-E offers flexible, discrete recessed ceiling installation, ideal for indoor environments but can also be used for protected outdoor areas like under the eaves. Additionally, it features a backbox that meets plenum requirements. It offers easy integration with your video management software (VMS), VoIP telephony, analytics, and more. Including a preconfigured digital signal processor (DSP) it produces clear voice every time. It also features a built-in microphone enabling remote health testing and 2-way audio talk-back. Furthermore, the embedded audio management software supports user, content, zone, and scheduling management.

- > [All-in-one speaker system](#)
- > [Connects to standard network](#)
- > [Easy installation with just one network cable \(PoE\)](#)
- > [Scalable and easy to integrate](#)
- > [Remote health testing](#)



# AXIS C1211-E Network Ceiling Speaker

## Audio hardware

<b>Enclosure</b>	One way enclosure with 4 inches broadband dynamic cone speaker
<b>Max sound pressure level</b>	93 dB
<b>Frequency response</b>	40 Hz - 16 kHz
<b>Coverage pattern</b>	130° coaxial
<b>Audio input/output</b>	Built-in microphone (can be disabled) External microphone, line in
<b>Built-in microphone specification</b>	50 Hz - 20 kHz
<b>Amplifier description</b>	Built-in 7 W Class D amplifier
<b>Digital signal processing</b>	Built-in and pre-configured

## Audio management

<b>AXIS Audio Manager Edge</b>	Built in: <ul style="list-style-type: none"> <li>- Zone management allowing you to divide up to 200 speakers into 20 zones.</li> <li>- Content management for music and live/pre-recorded announcements.</li> <li>- Scheduling to decide when and where to play content.</li> <li>- Content prioritization to ensure urgent messages interrupt the schedule.</li> <li>- Health monitoring for remote discovery of system errors.</li> <li>- User management to control who has access to what features.</li> </ul> For more details, see the datasheet on <a href="http://axis.com/products/axis-audio-manager-edge/support">axis.com/products/axis-audio-manager-edge/support</a>
<b>AXIS Audio Manager Pro</b>	For larger and more advanced systems. Sold separately. For specifications, see the datasheet on <a href="http://axis.com/products/axis-audio-manager-pro/support">axis.com/products/axis-audio-manager-pro/support</a>
<b>AXIS Audio Manager Center</b>	AXIS Audio Manager Center is a cloud service for remote access and management of multi-site systems. For specifications, see the datasheet on <a href="http://axis.com/products/axis-audio-manager-center/support">axis.com/products/axis-audio-manager-center/support</a>

## Audio software

<b>Audio streaming</b>	One-way/two-way with optional full duplex echo cancellation. Mono.
<b>Audio encoding</b>	AAC LC 8/16/32/48 kHz, G.711 PCM 8 kHz, G.726 ADPCM 8 kHz, Axis $\mu$ -law 16 kHz, WAV, MP3 in mono/stereo from 64 kbps to 320 kbps. Constant and variable bit rate. Sampling rate from 8 kHz up to 48 kHz.

## System integration

<b>Application Programming Interface</b>	Open API for software integration, including VAPIX®, One-click cloud connection, AXIS Camera Application Platform (ACAP).
<b>Video management systems</b>	Compatible with AXIS Companion, AXIS Camera Station, video management software from Axis' Application Development Partners available at <a href="http://axis.com/vms">axis.com/vms</a>
<b>Mass notification</b>	Singlewire InformaCast®, Intrado Revolution, Lynx, Alertus
<b>Unified communication</b>	Verified compatibility: SIP clients: 2N, Yealink, Cisco, Linphone, Grandstream PBX/SIP servers: Cisco Call Manager, Cisco BroadWorks, Avaya, Asterix, Grandstream Cloud service providers: Webex, Zoom
<b>SIP</b>	Supported SIP features: Secondary SIP server, IPv6, SRTP, SIPS, SIP TLS, DTMF (RFC2976 and RFC2833), NAT (ICE, STUN, TURN) RFC 3261: INVITE, CANCEL, BYE, REGISTER, OPTIONS, INFO DTMF (RFC 4733/RFC 2833)
<b>Event conditions</b>	Audio: audio clip playing, speaker test result Call: state, state change Device status: IP address blocked/removed, new IP address, network lost, system ready, live stream active Edge storage: recording ongoing, storage disruption, storage health issues detected I/O: digital input, manual trigger, virtual input

MQTT: stateless  
Scheduled and recurring: schedule

<b>Event actions</b>	Audio: run automatic speaker test Audio clips: play, stop, I/O: toggle I/O once, toggle I/O while the rule is active LEDs: flash status LED, flash status LED while the rule is active Light and siren: run light profile, run light profile while the rule is active, stop activities MQTT: publish Notification: HTTP, HTTPS, TCP and email Recordings: record audio, record audio while the rule is active Security: erase configuration SNMP traps: send, send while the rule is active
----------------------	--

<b>Built-in installation aids</b>	Test tone verification and identification
-----------------------------------	---

<b>Functional monitoring</b>	Auto Speaker Test (verification via built-in microphone)
------------------------------	--

## Approvals

<b>EMC</b>	EN 55024, EN 55035, EN 55032 Class B, EN 61000-6-1, EN 61000-6-2, EN 61000-6-3, EN 61000-6-4 Australia/New Zealand: CISPR 24, CISPR 35, CISPR 32 Class B Canada: ICES-3(B)/NMB-3(B) Japan: VCCI Class B Korea: KC KN35, KC KN32 Class B USA: FCC Part 15 Subpart B Class B
------------	---

<b>Safety</b>	CAN/CSA C22.2 No. 62368-1, CAN/CSA-C22.2 No. 60950-22, IEC/EN 62368-1, KC-Mark, UL 62368-1, UL 60950-22
---------------	---

<b>Environment</b>	UL2043 (Plenum rating), IEC 60068-2-1, IEC 60068-2-2, IEC 60068-2-6, IEC 60068-2-14, IEC 60068-2-27, IEC 60068-2-78, IEC/EN 60529 IP44
--------------------	--

<b>Cybersecurity</b>	ETSI EN 303 645
----------------------	-----------------

## Network

<b>Network protocols</b>	IPv4/v6 <sup>a</sup> , HTTP, HTTPS, SSL/TLS, QoS Layer 3 DiffServ, FTP, SFTP, CIFS/SMB, SMTP, Bonjour, UPnP™, SNMP v1/v2c/v3 (MIB-II), DNS, DynDNS, NTP, RTSP, RTP, TCP, UDP, IGMPv1/v2/v3, RTCP, ICMP, DHCP, ARP, SOCKS, SSH, NTCIP, SIP
--------------------------	---

## Cybersecurity

<b>Edge security</b>	<b>Software:</b> Signed OS, brute force delay protection, digest authentication and OAuth 2.0 RFC6749 OpenID Authorization Code Flow for centralized ADFS account management, password protection, AES-XTS-Plain64 256bit SD card encryption <b>Hardware:</b> Axis Edge Vault cybersecurity platform Secure element (CC EAL 6+), Axis device ID, secure keystore, secure boot
----------------------	---

<b>Network security</b>	IEEE 802.1X (EAP-TLS, PEAP-MSCHAPv2), IEEE 802.1AR, HTTPS/HSTS, TLS v1.2/v1.3, Network Time Security (NTS), X.509 Certificate PKI, host-based firewall
-------------------------	--

<b>Documentation</b>	<i>AXIS OS Hardening Guide</i> <i>Axis Vulnerability Management Policy</i> <i>Axis Security Development Model</i> AXIS OS Software Bill of Material (SBOM) To download documents, go to <a href="http://axis.com/support/cybersecurity/resources">axis.com/support/cybersecurity/resources</a> To read more about Axis cybersecurity support, go to <a href="http://axis.com/cybersecurity">axis.com/cybersecurity</a>
----------------------	---

## System on chip (SoC)

<b>Model</b>	NXP i.MX 6SoloX
<b>Memory</b>	512 MB RAM, 512 MB Flash

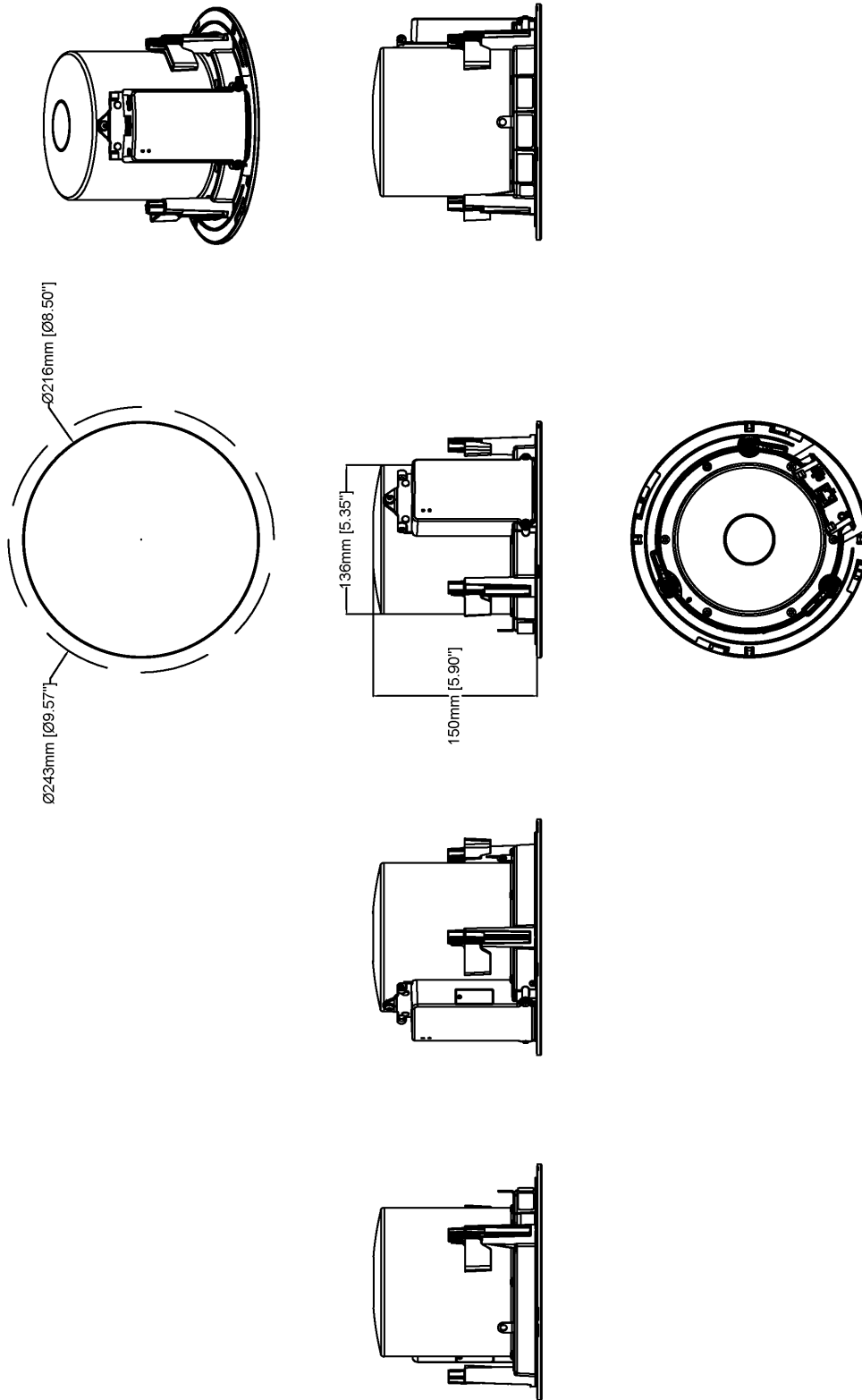
## General

<b>Casing</b>	IP44 (IP40 above ceiling) Baffle: plastic Top cover: plastic Mesh: surface-treated steel plate Mesh color: white NCS S 1002-B Repaintable. For repainting instructions and impact on warranty, contact your Axis partner. Speaker mounting method: plastic clamp
---------------	--

<b>Power</b>	Power over Ethernet (PoE), IEEE 802.3af Type 1 Class 3 (max 12.95 W)
<b>Connectors</b>	RJ45 10BASE-T/100BASE-TX PoE I/O: 4-pin 2.5 mm terminal block for 2x supervised configurable I/Os
<b>LED indicators</b>	Status LED, front-facing LED
<b>Storage</b>	Support for microSD/microSDHC/microSDXC card Max. size 1 TB For SD card recommendations see <a href="http://www.axis.com">www.axis.com</a>
<b>Reliability</b>	Designed for 24/7 operation.
<b>Operating conditions</b>	Temperature: -30 °C to 50 °C (-22 °F to 122 °F) Humidity: 10–100 % RH (condensing)
<b>Storage conditions</b>	Temperature: -40 °C to 65 °C (-40 °F to 149 °F) Humidity: 5–95 % RH (non-condensing)
<b>Dimensions</b>	Height: 150 mm (5.9 in), Ø 215 mm (8.5 in) Ceiling thickness: for mounting: 0–60 mm (0–2.4 in) Dimensions for fixing hole: Ø 194 mm ± 2 mm (7.6 in ± 0.08 in)
<b>Weight</b>	2000 g
<b>Box content</b>	Speaker, installation guide, Owner Authentication Key, mesh cover, block terminal
<b>Optional accessories</b>	AXIS TC1603 Tile Bridge (for installation in soft ceiling), AXIS TC1602 Conduit Adapter, AXIS TC1702 Back Cover, AXIS Safety Wire 3M For more accessories, see <a href="http://axis.com">axis.com</a>
<b>Languages</b>	English, German, French, Spanish, Italian, Russian, Simplified Chinese, Japanese, Korean, Portuguese, Polish, Traditional

	Chinese, Dutch, Czech, Swedish, Finnish, Turkish, Thai, Vietnamese
<b>Warranty</b>	5-year warranty, see <a href="http://axis.com/warranty">axis.com/warranty</a>
<b>Part numbers</b>	Available at <a href="http://axis.com/products/axis-c1211-e#part-numbers">axis.com/products/axis-c1211-e#part-numbers</a>
<b>Tools</b>	
<b>Design</b>	AXIS Site Designer Available at <a href="http://axis.com">axis.com</a>
<b>Installation</b>	AXIS Device Manager, product selector, accessory selector Available at <a href="http://axis.com">axis.com</a>
<b>Sustainability</b>	
<b>Substance control</b>	PVC free in accordance with JEDEC/ECA Standard JS709 RoHS in accordance with EU RoHS Directive 2011/65/EU and EN 63000:2018 REACH in accordance with (EC) No 1907/2006. For SCIP UUID, see <a href="http://axis.com/partner">axis.com/partner</a> .
<b>Materials</b>	Renewable carbon-based plastic content: 63% (recycled: 0%, bio-based: 63%, carbon capture based: 0%) Screened for conflict minerals in accordance with OECD guidelines To read more about sustainability at Axis, go to <a href="http://axis.com/about-axis/sustainability">axis.com/about-axis/sustainability</a>
<b>Environmental responsibility</b>	<a href="http://axis.com/environmental-responsibility">axis.com/environmental-responsibility</a> Axis Communications is a signatory of the UN Global Compact, read more at <a href="http://unglobalcompact.org">unglobalcompact.org</a>

a. *Audio synchronization with IPv4 only.*



# AXIS C1211-E Network Ceiling Speaker

www.axis.com

Revision	v.01	Revision date	2022-09-21
Paper size	A4	Release date	2022-09-21
Created by	MIF	Scale	1:5

© 2019 Axis Communications