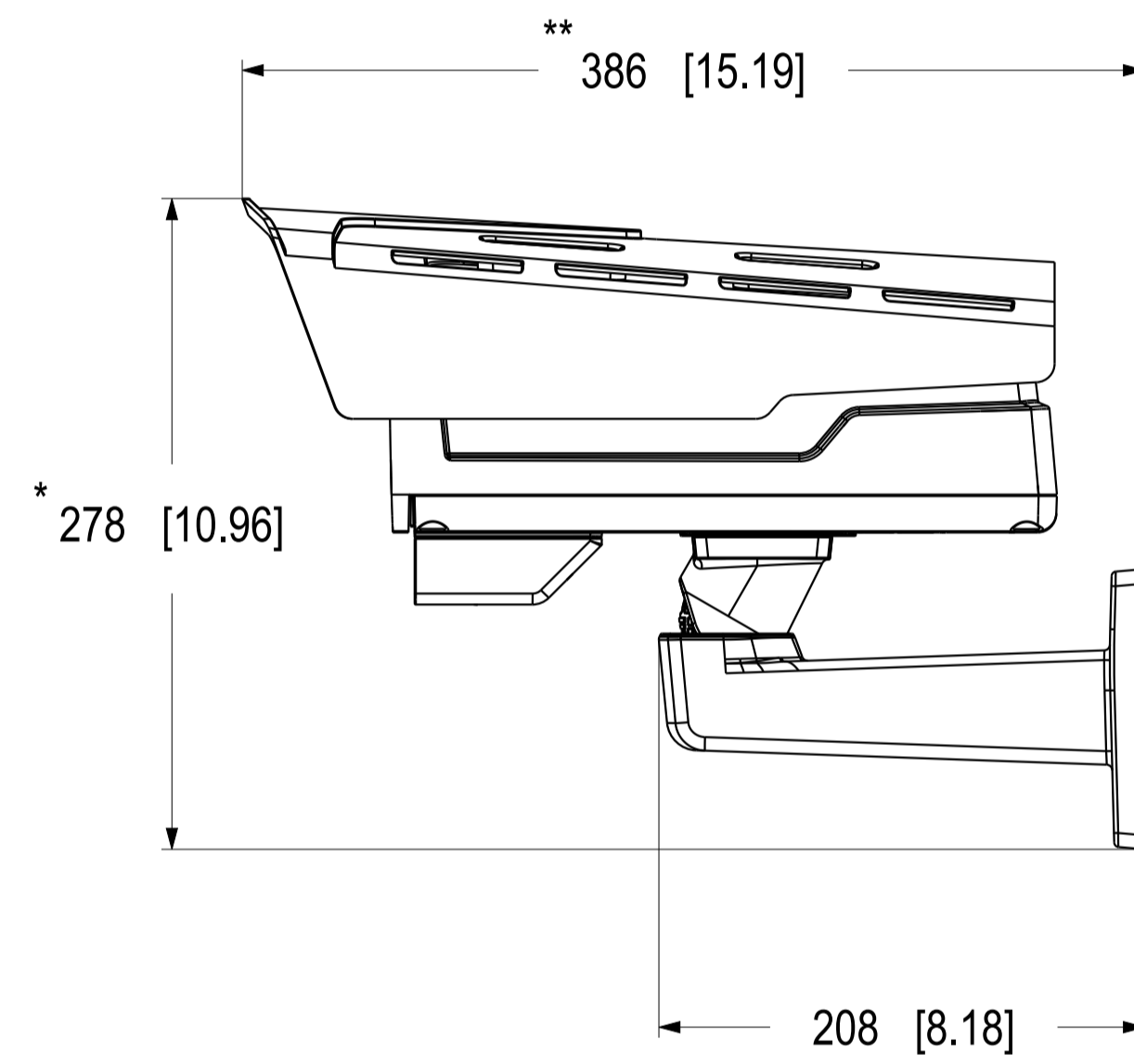


See Detail A
Sheet 2

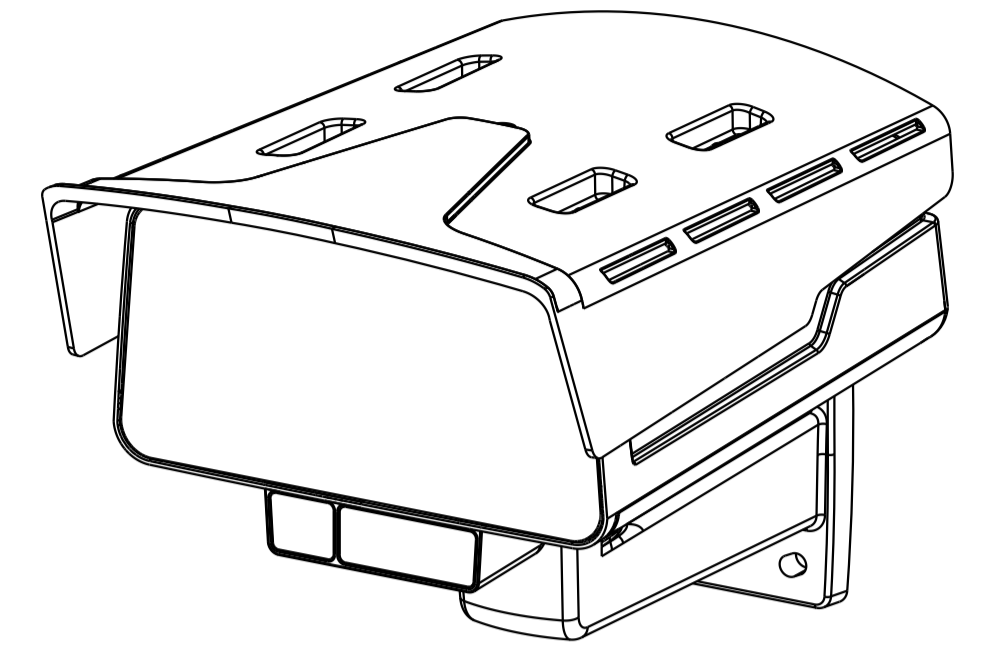
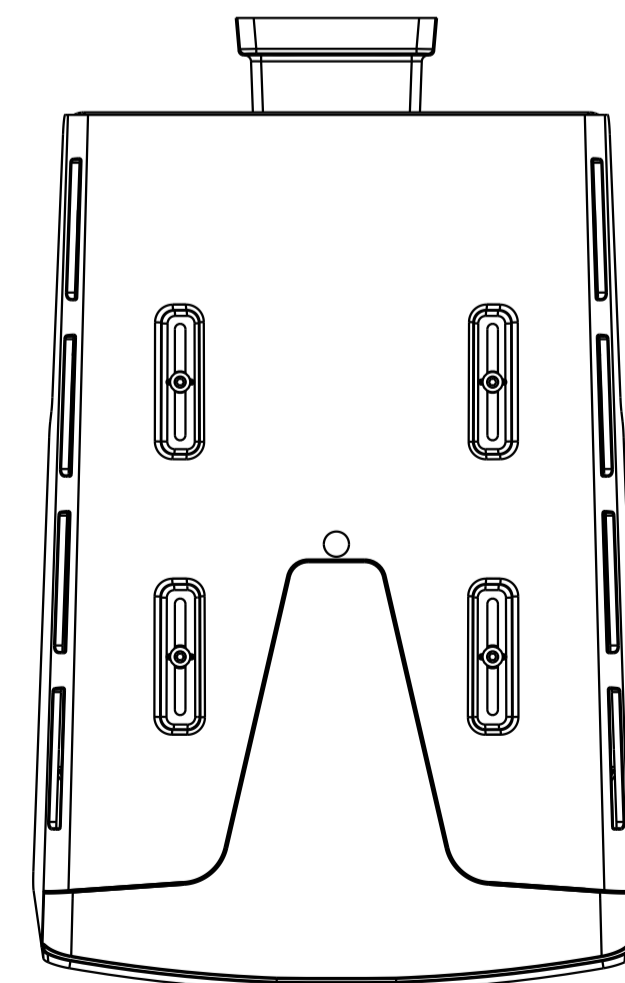
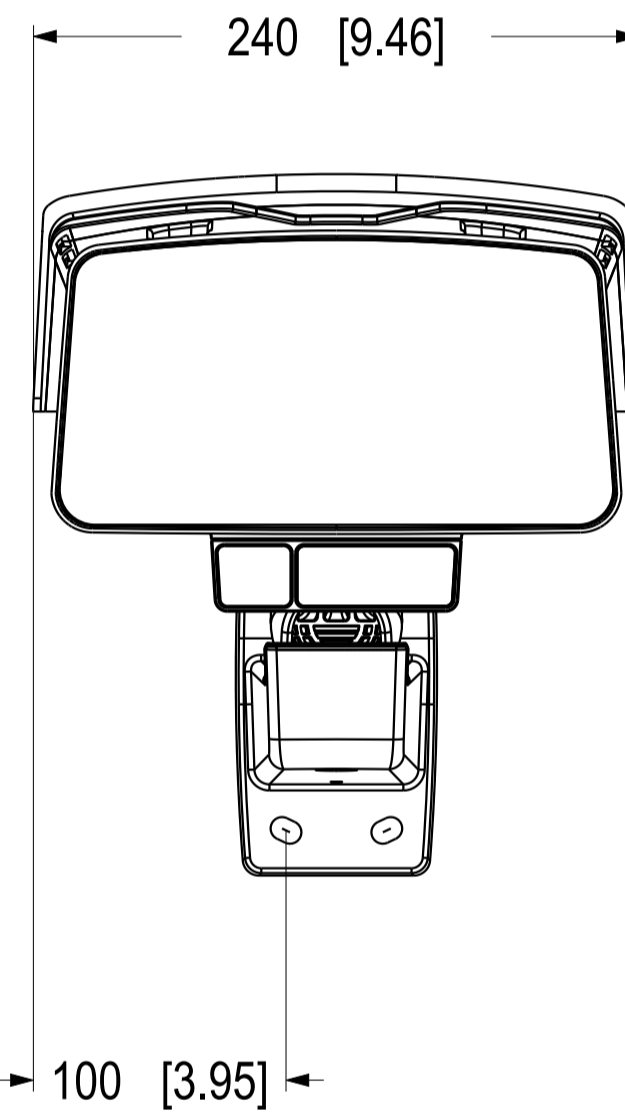
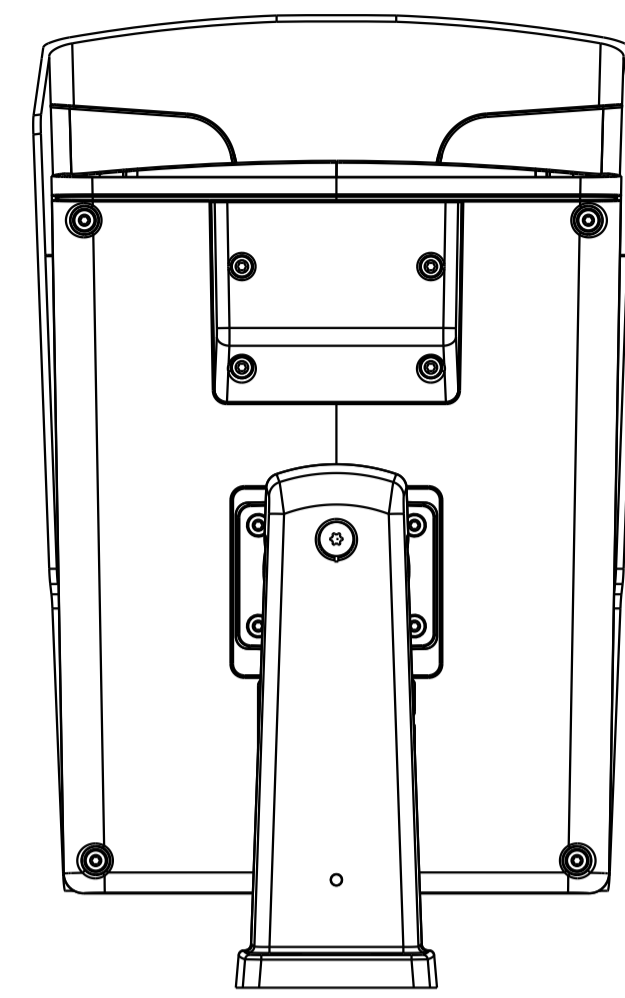
* Depending on
Weather Cover
position:

Max: 279,5 [11.04]
Min: 276,5 [10.89]



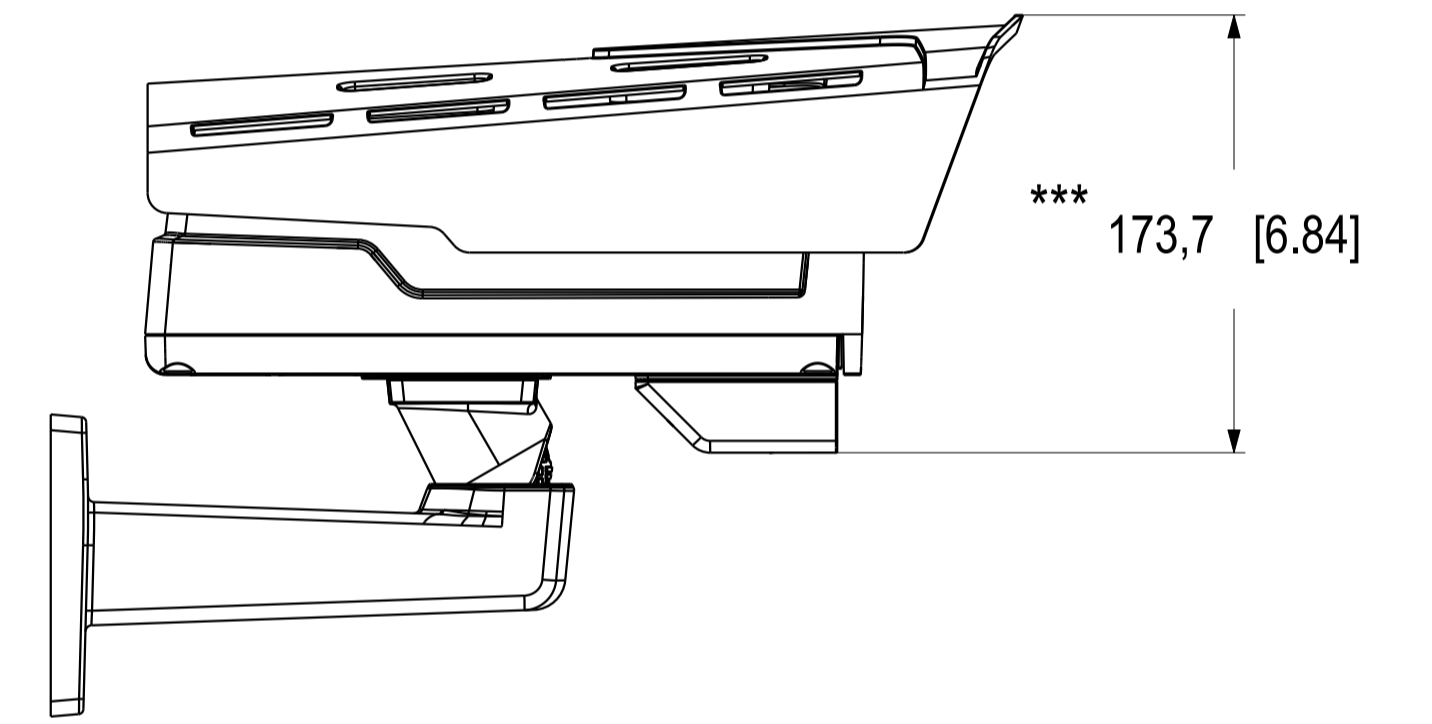
** Depending on Weather Cover position:

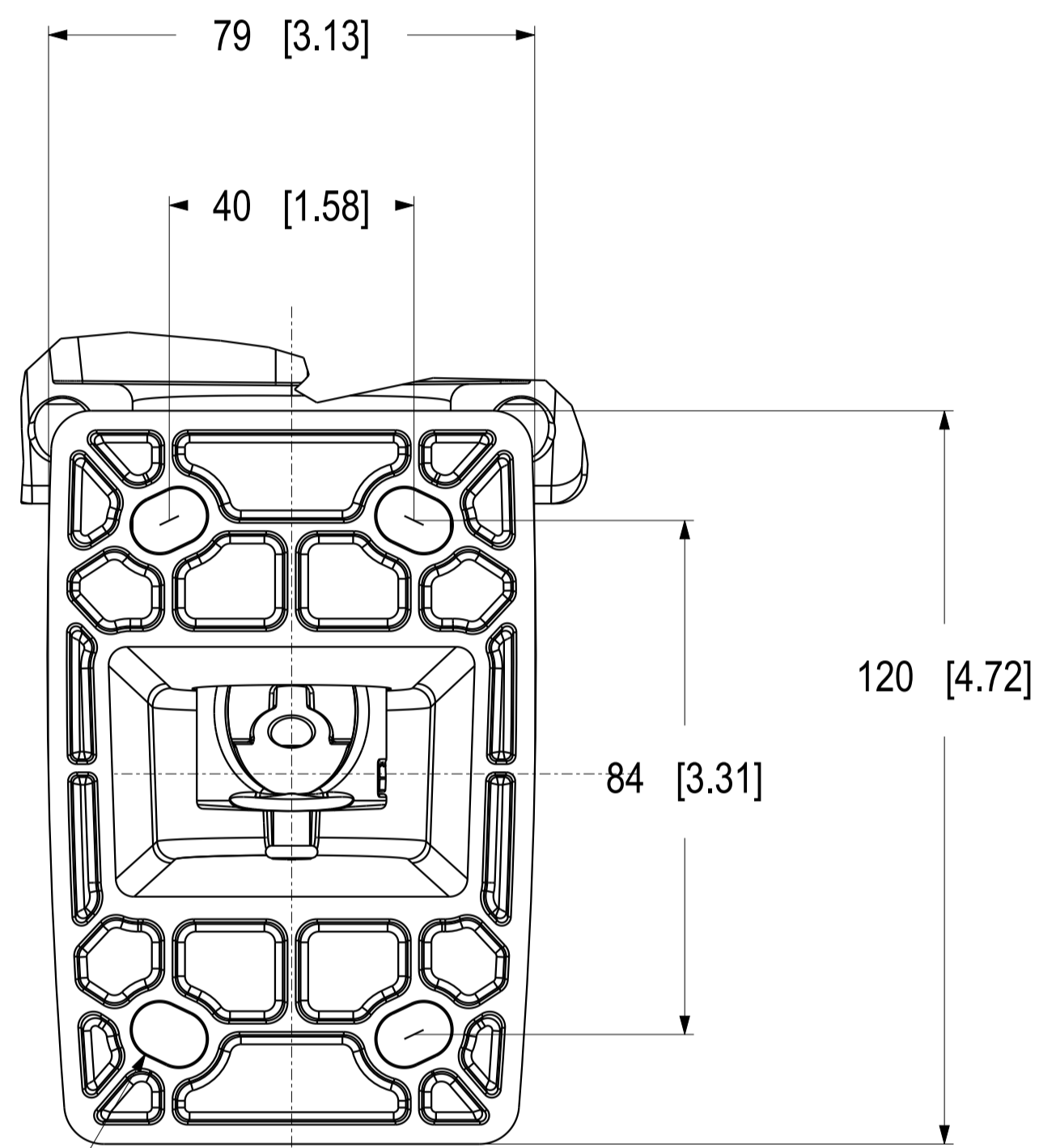
Max: 407 [16.02]
Min: 365 [14.37]



*** Depending on Weather Cover position:

Max: 175 [6.89]
Min: 172,3 [6.78]





∅ 9,1 [0.36] (4x)

Detail A
Scale 1:1

