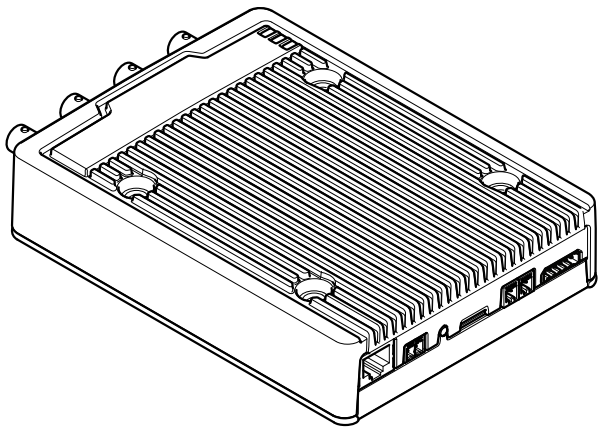


## AXIS P7304 Video Encoder



**Installation guide**  
**Guide d'installation**  
**Installationsanleitung**  
**Guida all'installazione**  
**Guía de instalación**  
**インストールガイド**  
**Guia de instalação**  
**Руководство по установке**  
**설치가이드**  
**安装指南**  
**Panduan instalasi**

## Read this first

Read through this installation guide carefully before you install the product. Keep the installation guide for future reference.

## Legal considerations

This product includes the following licenses:

- one (1) H.264 decoder license
- one (1) H.265 decoder license

To purchase further licenses, contact your reseller.

This product is subject to export control regulations, and you should always comply with all applicable national and international export or re-export control regulations.

## Liability

Every care has been taken in the preparation of this document. Please inform your local Axis office of any inaccuracies or omissions. Axis Communications AB cannot be held responsible for any technical or typographical errors and reserves the right to make changes to the product and manuals without prior notice. Axis Communications AB makes no warranty of any kind with regard to the material contained within this document, including, but not limited to, the implied warranties of merchantability and fitness for a particular purpose. Axis Communications AB shall not be liable nor responsible for incidental or consequential damages in connection with the furnishing, performance or use of this material. This product is only to be used for its intended purpose.

## Intellectual property rights

Axis AB has intellectual property rights relating to technology embodied in the product described in this document. In particular, and without limitation, these intellectual property rights may include one or more of the patents listed at [axis.com/patent](http://axis.com/patent) and one or more additional patents or pending patent applications in the US and other countries.

This product contains licensed third-party software. See the third-party license information

in the product's user interface for more information.

This product contains source code copyright Apple Computer, Inc., under the terms of Apple Public Source License 2.0 (see [opensource.apple.com/apsl](http://opensource.apple.com/apsl)). The source code is available from [developer.apple.com/bonjour/](http://developer.apple.com/bonjour/).

## Equipment modifications

This equipment must be installed and used in strict accordance with the instructions given in the user documentation. This equipment contains no user-serviceable components. Unauthorized equipment changes or modifications will invalidate all applicable regulatory certifications and approvals.

## Trademark acknowledgements

AXIS COMMUNICATIONS, AXIS, ARTPEC and VAPIX are registered trademarks of Axis AB in various jurisdictions. All other trademarks are the property of their respective owners.

Apple, Apache, Bonjour, Ethernet, Internet Explorer, Linux, Microsoft, Mozilla, Real, SMPTE, QuickTime, UNIX, Windows, and WWW are registered trademarks of the respective holders. Java and all Java-based trademarks and logos are trademarks or registered trademarks of Oracle and/or its affiliates. The UPnP Word Mark and UPnP Logo are trademarks of Open Connectivity Foundation, Inc. in the United States or other countries.



microSD, microSDHC, and microSDXC Logos are trademarks of SD-3C LLC. microSD, microSDHC, microSDXC are trademarks or registered trademarks of SD-3C, LLC in the United States, other countries or both.

## Regulatory information

Europe



This product complies with the applicable CE marking directives and harmonized standards:

- Electromagnetic Compatibility (EMC) Directive 2014/30/EU. See *Electromagnetic compatibility (EMC)*, on page 3.
- Low Voltage Directive (LVD) 2014/35/EU. See *Safety*, on page 4.
- Restriction of Hazardous Substances (RoHS) Directive 2011/65/EU and 2015/863, including any amendments, updates or replacements. See *Disposal and recycling*, on page .

A copy of the original declaration of conformity may be obtained from Axis Communications AB. See *Contact information*, on page 5.

### Electromagnetic compatibility (EMC)

This equipment has been designed and tested to fulfill applicable standards for:

- Radio frequency emission when installed according to the instructions and used in its intended environment.
- Immunity to electrical and electromagnetic phenomena when installed according to the instructions and used in its intended environment.

### USA

This device complies with part 15 of the FCC Rules. Operation is subject to the following two conditions:

1. This device may not cause harmful interference, and
2. this device must accept any interference received, including interference that may cause undesired operation.

This equipment has been tested using an unshielded network cable (UTP) and found to comply with the limits for a Class A digital device, pursuant to part 15 of the FCC rules. This equipment has also been tested using a shielded network cable (STP) and found to comply with the limits for a Class A digital device, pursuant to part 15 of the FCC rules. These limits are designed to provide reasonable protection against harmful interference when the equipment is operated in a commercial environment. This equipment generates, uses, and can radiate radio frequency energy and, if not installed and used in accordance with the

instruction manual, may cause harmful interference to radio communications. Operation of this equipment in a residential area is likely to cause harmful interference in which case the user will be required to correct the interference at his own expense.

### Contact information

Axis Communications Inc.  
300 Apollo Drive  
Chelmsford, MA 01824  
United States of America  
Tel: +1 978 614 2000

### Canada

This digital apparatus complies with CAN ICES-3 (Class A). The product shall be connected using a shielded network cable (STP) that is properly grounded. Cet appareil numérique est conforme à la norme CAN NMB-3 (classe A). Le produit doit être connecté à l'aide d'un câble réseau blindé (STP) qui est correctement mis à la terre.

### Europe

This digital equipment fulfills the requirements for RF emission according to the Class A limit of EN 55032. The product shall be connected using a shielded network cable (STP) that is properly grounded. Notice! This is a Class A product. In a domestic environment this product may cause RF interference, in which case the user may be required to take adequate measures.

### Australia/New Zealand

This digital equipment fulfills the requirements for RF emission according to the Class A limit of AS/NZS CISPR 32. The product shall be connected using a shielded network cable (STP) that is properly grounded. Notice! This is a Class A product. In a domestic environment this product may cause RF interference, in which case the user may be required to take adequate measures.

### Japan

この装置は、クラスA機器です。この装置を住宅環境で使用すると電波妨害を引き起こすことがあります。この場合には使用者

が適切な対策を講ずるよう要求されることがあります。VCCI-A

本製品は、シールドネットワークケーブル(STP)を使用して接続してください。また適切に接地してください。

本製品は電気通信事業者(移动通信会社、固定通信会社、インターネットプロバイダ等)の通信回線(公衆無線LANを含む)に直接接続することができません。本製品をインターネットに接続する場合は、必ずルータ等を経由し接続してください。

#### Korea

이 기기는 업무용 환경에서 사용할 목적으로 적합성평가를 받은 기기로서 가정용 환경에서 사용하는 경우 전파간섭의 우려가 있습니다. 적절히 접지된 STP (shielded twisted pair) 케이블을 사용하여 제품을 연결 하십시오.

#### Safety

This product complies with IEC/EN/UL 62368-1, safety of audio/video and IT equipment.

If its connecting cables are routed outdoors, the product shall be grounded either through a shielded network cable (STP) or other appropriate method.

The power supply used with this product shall fulfill one of the following requirements:

- Safety Extra Low Voltage (SELV) according to CEC/NEC Class 2 source of supply as defined in the Canadian Electrical Code, CSA C22.1 and National Electrical Code, ANSI/NFPA 70
- Class 1 electrical energy source (ES1) and Class 2 power source (PS2) rated output power limited to  $\leq 100$  W according to IEC/EN/UL 62368-1

When this product has reached the end of its useful life, dispose of it according to local laws and regulations. For information about your nearest designated collection point, contact your local authority responsible for waste disposal. In accordance with local legislation, penalties may be applicable for incorrect disposal of this waste.

#### Europe



This symbol means that the product shall not be disposed of together with household or commercial waste. Directive 2012/19/EU on waste electrical and electronic equipment (WEEE) is applicable in the European Union member states. To prevent potential harm to human health and the environment, the product must be disposed of in an approved and environmentally safe recycling process. For information about your nearest designated collection point, contact your local authority responsible for waste disposal. Businesses should contact the product supplier for information about how to dispose of this product correctly.

This product complies with the requirements of Directive 2011/65/EU and 2015/863 on the restriction of the use of certain hazardous substances in electrical and electronic equipment (RoHS).

#### China



This product complies with the requirements of SJ/T 11364-2014, Marking for the restriction of hazardous substances in electrical and electronic products.

有毒有害物或元素						
部 件 名 称	铅 (- Pb)	汞 (- Hg)	镉 (- Cd)	六 价 铬 (- Cr (- VI))	多 溴 联 苯 (- PBB)	多 溴 二 苯 醚 (- PBDE)

电 气 实 装 部 分	X	○	○	○	○	○
<p>○表示该有毒有害物质在该部件均质材料中的含量均在GB/T 26572标准规定的限量要求以下。</p> <p>X: 表示该有毒有害物质至少在该部件的某一均质材料中的含量超出GB/T 26572标准规定的限量要求。</p>						

## Learn more!

Visit Axis learning center [axis.com/learning](http://axis.com/learning) for useful trainings, webinars, tutorials and guides.

## Contact information

Axis Communications AB

Gränden 1

223 69 Lund

Sweden

Tel: +46 46 272 18 00

[axis.com](http://axis.com)

## Warranty information

For information about Axis' product warranty and thereto related information, go to [axis.com/warranty](http://axis.com/warranty).

## Support

Should you require any technical assistance, please contact your Axis reseller. If your questions cannot be answered immediately, your reseller will forward your queries through the appropriate channels to ensure a rapid response. If you are connected to the Internet, you can:

- download user documentation and software updates
- find answers to resolved problems in the FAQ database, search by product, category, or phrase
- report problems to Axis support staff by logging in to your private support area
- chat with Axis support staff
- visit Axis Support at [axis.com/support](http://axis.com/support)

# English

## Safety information

### Hazard levels

#### **⚠ DANGER**

Indicates a hazardous situation which, if not avoided, will result in death or serious injury.

#### **⚠ WARNING**

Indicates a hazardous situation which, if not avoided, could result in death or serious injury.

#### **⚠ CAUTION**

Indicates a hazardous situation which, if not avoided, could result in minor or moderate injury.

#### **NOTICE**

Indicates a situation which, if not avoided, could result in damage to property.

### Other message levels

#### **Important**

Indicates significant information which is essential for the product to function correctly.

#### **Note**

Indicates useful information which helps in getting the most out of the product.

## Safety instructions

#### **NOTICE**

- The Axis product shall be used in compliance with local laws and regulations.
- Store the Axis product in a dry and ventilated environment.
- Avoid exposing the Axis product to shocks or heavy pressure.
- Use only applicable tools when installing the Axis product. Using excessive force with

power tools could cause damage to the product.

- Do not use chemicals, caustic agents, or aerosol cleaners.
- Use a soft cloth dampened with pure lukewarm water to clean the device.
- Don't use chemicals such as window cleaner or acetone to clean your device.
- Use only accessories that comply with the technical specification of your product. These can be provided by Axis or a third party. Axis recommends using Axis power source equipment compatible with your product.
- Use only spare parts provided by or recommended by Axis.
- Do not attempt to repair the product yourself. Contact Axis support or your Axis reseller for service matters.

## Transportation

#### **NOTICE**

- When transporting the Axis product, use the original packaging or equivalent to prevent damage to the product.

## Battery

The Axis product uses a 3.0 V CR2032 lithium battery as the power supply for its internal real-time clock (RTC). Under normal conditions this battery will last for a minimum of five years.

Lithium coin cell 3.0 V batteries contain 1,2-dimethoxyethane; ethylene glycol dimethyl ether (EGDME), CAS no. 110-71-4.

# Français

## Informations sur la sécurité

### Niveaux de risques

#### **▲ DANGER**

Indique une situation dangereuse qui, si elle n'est pas évitée, entraînera le décès ou des blessures graves.

#### **▲ AVERTISSEMENT**

Indique une situation dangereuse qui, si elle n'est pas évitée, pourrait entraîner le décès ou des blessures graves.

#### **▲ ATTENTION**

Indique une situation dangereuse qui, si elle n'est pas évitée, pourrait entraîner des blessures légères ou modérées.

#### **REMARQUE**

Indique une situation qui, si elle n'est pas évitée, pourrait endommager l'appareil.

### Autres niveaux de message

#### **Important**

Indique les informations importantes, nécessaires pour assurer le bon fonctionnement de l'appareil.

#### **Remarque**

Indique les informations utiles qui permettront d'obtenir le fonctionnement optimal de l'appareil.

### Consignes de sécurité

#### **REMARQUE**

- Le produit Axis doit être utilisé conformément aux lois et règlements locaux.
- Conserver ce produit Axis dans un environnement sec et ventilé.
- Ne pas exposer ce produit Axis aux chocs ou aux fortes pressions.
- Utiliser uniquement des outils recommandés pour l'installation de l'appareil Axis.

L'application d'une force excessive sur l'appareil avec des outils puissants pourrait l'endommager.

- Ne pas utiliser de produits chimiques, de substances caustiques ou de nettoyeurs pressurisés.
- Pour nettoyer le dispositif, utilisez un chiffon doux humide à l'eau tiède pure.
- N'utilisez pas de produits chimiques tels que le nettoyeur pour vitres ou l'acétone pour nettoyer votre dispositif.
- Utiliser uniquement des accessoires conformes aux caractéristiques techniques de votre produit. Ils peuvent être fournis par Axis ou un tiers. Axis recommande d'utiliser un équipement d'alimentation Axis compatible avec votre produit.
- Utiliser uniquement les pièces de rechange fournies ou recommandées par Axis.
- Ne pas essayer de réparer vous-même ce produit. Contacter l'assistance technique d'Axis ou votre revendeur Axis pour des problèmes liés à l'entretien.

### Transport

#### **REMARQUE**

- Lors du transport du produit Axis, utilisez l'emballage d'origine ou un équivalent pour éviter d'endommager le produit.

### Batterie

Le produit Axis utilise une batterie au lithium CR2032 3,0 V comme alimentation de son horloge en temps réel interne (RTC). Dans des conditions normales, cette batterie a une durée de vie minimale de cinq ans.

Les piles boutons 3,0 V au lithium contiennent du 1,2-diméthoxyéthane, éthylène glycol diméthyl éther (EGDME), CAS n° 110-71-4.

Deutsch

## Sicherheitsinformationen

### Gefährdungsstufen

#### **▲ GEFAHR**

Weist auf eine gefährliche Situation hin, welche, wenn sie nicht vermieden wird, zum Tod oder zu schweren Verletzungen führen wird.

#### **▲ WARNUNG**

Weist auf eine gefährliche Situation hin, welche, wenn sie nicht vermieden wird, zum Tod oder zu schweren Verletzungen führen könnte.

#### **▲ VORSICHT**

Weist auf eine gefährliche Situation hin, welche, wenn sie nicht vermieden wird, zu leichteren oder mäßig schweren Verletzungen führen könnte.

#### **HINWEIS**

Weist auf eine Situation hin, welche, wenn sie nicht vermieden wird, zu Sachschäden führen könnte.

### Andere Meldeebenen

#### **Wichtig**

Weist auf wichtige Informationen hin, die den richtigen Betrieb des Produkts gewährleisten.

#### **Hinweis**

Weist auf nützliche Informationen hin, die die optimale Verwendung des Produkts unterstützen.

### Sicherheitsanweisungen

#### **HINWEIS**

- Das Axis Produkt muss unter Beachtung der

geltenden Gesetze und Bestimmungen betrieben werden.

- Lagern Sie das Axis Produkt in einer trockenen und belüfteten Umgebung.
- Das Axis Produkt weder Stößen noch starkem Druck aussetzen.
- Verwenden Sie bei der Installation des Axis Produkts ausschließlich passende Werkzeuge. Ein zu großer Kraftaufwand mit elektrischen Werkzeugen kann das Produkt beschädigen.
- Verwenden Sie keine chemischen, ätzenden oder aerosolhaltigen Reinigungsmittel.
- Verwenden Sie zur Reinigung des Geräts ein weiches, mit lauwarmem reinen Wasser befeuchtetes Tuch.
- Verwenden Sie zur Reinigung Ihres Geräts keine chemischen Substanzen wie Fensterreiniger oder Aceton.
- Verwenden Sie nur Zubehör, das den technischen Vorgaben Ihres Produkts entspricht. Dieses ist von Axis oder Drittanbietern erhältlich. Axis empfiehlt die mit Ihrem Produkt kompatible Stromversorgung von Axis.
- Verwenden Sie ausschließlich Ersatzteile die von Axis angeboten oder empfohlen werden.
- Versuchen Sie nicht, dieses Produkt selbsttätig zu reparieren. Wenden Sie sich bezüglich Reparatur und Wartung an den Axis Support oder Ihren Axis Händler.

### Transport

#### **HINWEIS**

- Bei Bedarf transportieren Sie das Axis Produkt in der Originalverpackung oder einer entsprechenden Verpackung, so dass Schäden vermieden werden.

### Batterie

Das Axis Produkt ist mit einer 3,0 V-CR2032-Lithium-Batterie ausgestattet, mit der die interne Echtzeituhr (RTC) versorgt wird. Unter normalen



Bedingungen hat die Batterie eine Lebensdauer von mindestens fünf Jahren.

Lithium-Knopfzellen (3,0 V) enthalten 1,2-Dimethoxyethan; Ethylenglycoldimethylether (EGDME), CAS-Nr. 110-71-4.

## Italiano

### Informazioni di sicurezza

#### Livelli di pericolo

##### **▲ PERICOLO**

Indica una situazione pericolosa che, se non evitata, provoca morte o lesioni gravi.

##### **▲ PREAVVISO**

Indica una situazione pericolosa che, se non evitata, potrebbe provocare la morte o lesioni gravi.

##### **▲ ATTENZIONE**

Indica una situazione pericolosa che, se non evitata, potrebbe provocare lesioni medie o minori.

##### **AVVISO**

Indica una situazione che, se non evitata, potrebbe danneggiare la proprietà.

#### Altri livelli di messaggio

##### **Importante**

Indica informazioni importanti, essenziali per il corretto funzionamento del dispositivo.

##### **Nota**

Indica informazioni utili che aiutano a ottenere il massimo dal dispositivo.

### Istruzioni per la sicurezza

##### **AVVISO**

- Il dispositivo Axis deve essere utilizzato in conformità alle leggi e alle normative locali.
- Conservare il dispositivo Axis in un ambiente asciutto e ventilato.
- Evitare di esporre il dispositivo Axis a urti o pressioni eccessive.
- Utilizzare solo strumenti applicabili quando si installa il prodotto Axis. Se si utilizza una forza eccessiva con strumenti non adatti è possibile causare danni al dispositivo.
- Non utilizzare sostanze chimiche, agenti caustici o detersivi aerosol.
- Usare un panno morbido inumidito con acqua pura tiepida per pulire il dispositivo.
- Non utilizzare sostanze chimiche come detersivi per vetri o acetone per pulire il dispositivo.
- Utilizzare solo accessori compatibili con le specifiche tecniche del dispositivo. Questi possono essere forniti da Axis o da terze parti. Axis consiglia l'uso dell'apparecchiatura di alimentazione Axis compatibile con il dispositivo.
- Utilizzare solo parti di ricambio fornite o consigliate da Axis.
- Non tentare di riparare il dispositivo da soli. Contattare l'assistenza o il rivenditore Axis per questioni relative alla manutenzione.

#### Trasporto

##### **AVVISO**

- Durante il trasporto del dispositivo Axis, utilizzare l'imballaggio originale o equivalente per evitare danni al dispositivo.

#### Batteria

Il dispositivo Axis utilizza una batteria al litio da 3 V CR2032 come alimentazione per il suo orologio in tempo reale (RTC) interno. In condizioni normali questa batteria avrà una durata minima di cinque anni.

Le batterie a bottone al litio da 3 V contengono 1,2-dimetossietano; etere dimetilico di glicole etilenico (EGDME), CAS n. 110-71-4.

## Información de seguridad

### Niveles de peligro

#### **▲ PELIGRO**

Indica una situación peligrosa que, si no se evita, provocará lesiones graves o la muerte.

#### **▲ ADVERTENCIA**

Indica una situación peligrosa que, si no se evita, puede provocar lesiones graves o la muerte.

#### **▲ PRECAUCIÓN**

Indica una situación peligrosa que, si no se evita, puede provocar lesiones moderadas o leves.

#### **AVISO**

Indica una situación peligrosa que, si no se evita, puede provocar daños materiales.

### Otros niveles de mensaje

#### **Importante**

Indica información importante que es fundamental para que el producto funcione correctamente.

#### **Nota**

Indica información útil que ayuda a aprovechar el producto al máximo.

### Instrucciones de seguridad

#### **AVISO**

- Este producto de Axis debe utilizarse de acuerdo con las leyes y normativas locales.
- Almacene el producto de Axis en un entorno seco y ventilado.
- Evite exponer el producto Axis a golpes o presiones excesivas.
- Use solo las herramientas adecuadas al instalar el producto Axis. La aplicación de una fuerza excesiva con herramientas eléctricas puede provocar daños en el producto.
- No utilice productos químicos, agentes cáusticos ni limpiadores en aerosol.
- Utilice un paño suave humedecido con agua pura y tibia para limpiar el dispositivo.
- No utilice productos químicos como un limpiacristales o acetona para limpiar el dispositivo.
- Utilice solo accesorios que cumplan con las especificaciones técnicas de su producto. Puede obtenerlos de Axis o de un tercero. Axis recomienda utilizar un equipo de suministro de alimentación de Axis compatible con su producto.
- Utilice solo piezas de recambio suministradas o recomendadas por Axis.
- No intente reparar el producto usted mismo. Contacte con el servicio de asistencia de Axis o a su distribuidor de Axis para cualquier tema relacionado con el mantenimiento.

### Transporte

#### **AVISO**

- Cuando transporte el producto de Axis, utilice el embalaje original o un equivalente para evitar daños en el producto.

### Batería

Este producto de Axis utiliza una batería de litio CR2032 de 3,0 V como fuente de alimentación del reloj interno en tiempo real. En condiciones normales, esta batería durará un mínimo de cinco años.

Las pilas de botón de litio de 3,0 V contienen 1,2-dimetoxietano; éter dimetilico de etilenglicol (EGDME), n.º CAS 110-71-4.

## 日本語

### 安全情報

#### 危険レベル

##### ▲ 危険

回避しない場合、死亡または重傷につながる危険な状態を示します。

##### ▲ 警告

回避しない場合、死亡または重傷につながるおそれのある危険な状態を示します。

##### ▲ 注意

回避しない場合、軽傷または中程度の怪我につながるおそれのある危険な状態を示します。

##### 注意

回避しない場合、器物の破損につながるおそれのある状態を示します。

#### その他のメッセージレベル

##### 重要

製品を正しく機能させるために不可欠な重要情報を示します。

##### 注

製品を最大限に活用するために役立つ有用な情報を示します。

#### 安全に関する指示

##### 注意

- 本製品は、お使いになる地域の法律や規制に準拠して使用してください。
- 本製品は乾燥した換気のよい環境に保管してください。
- 本製品に衝撃または強い圧力を加えないでください。
- 本製品を設置する際には、適切な工具のみを使用してください。電動工具を使用して過剰な力をかけると、製品が損傷することがあります。
- 化学薬品、腐食剤、噴霧式クリーナーは使用しないでください。
- 装置のクリーニングには、ぬるま湯で湿らせた柔らかい布を使用してください。
- 窓ガラス用洗剤やアセトンなどの化学薬品を使用して装置をクリーニングしないでください。
- 製品の技術仕様に準拠したアクセサリのみを使用してください。これらのアクセサリは、Axisまたはサードパーティから入手できます。Axisは、ご使用の製品と互換性のあるAxis給電ネットワークスイッチの使用を推奨します。
- Axisが提供または推奨する交換部品のみを使用してください。
- 製品を自分で修理しないでください。修理については、Axisサポートまたは販売代理店にお問い合わせください。

#### 輸送

##### 注意

- 本製品を運搬する際は、製品が損傷しないよう、元の梱包が同等の梱包を使用してください。

#### バッテリー

本製品は、内部リアルタイムクロック (RTC) 用電源として、3.0 V CR2032リチウムバッテリーを使用します。このバッテリーは、通常条件下で最低5年間使用できます。

リチウムコイン型3.0 V電池は、1,2-ジメトキシエタン (エチレングリコールジメチルエーテル (EGDME)、CAS番号110-71-4) を含有しています。

## Português

### Informações sobre segurança

#### Níveis de perigo

##### **▲ PERIGO**

Indica uma situação perigosa que, se não evitada, irá resultar em morte ou lesões graves.

##### **▲ AVISO**

Indica uma situação perigosa que, se não evitada, poderá resultar em morte ou lesões graves.

##### **▲ CUIDADO**

Indica uma situação perigosa que, se não evitada, poderá resultar em lesões leves ou moderadas.

##### **OBSERVAÇÃO**

Indica uma situação perigosa que, se não evitada, poderá resultar em danos à propriedade.

#### Outros níveis de mensagens

##### **Importante**

Indica informações significativas que são essenciais para o produto funcionar corretamente.

##### **Observação**

Indica informações úteis que ajudam a obter o máximo do produto.

#### Instruções de segurança

##### **OBSERVAÇÃO**

- O produto Axis deve ser usado em conformidade com as leis e regulamentações locais.
- Armazene o produto Axis em um ambiente seco e ventilado.
- Evite expor o produto Axis a impactos ou pressão elevada.
- Use apenas as ferramentas recomendadas ao instalar o produto Axis. O uso de força excessiva com ferramentas elétricas poderia danificar o produto.
- Não use produtos químicos, agentes cáusticos ou limpadores aerossóis.
- Use um pano macio umedecido com água morna para limpar o dispositivo.
- Não use produtos químicos como limpavidros ou acetona para limpar o dispositivo.
- Utilize apenas acessórios que atendam às especificações técnicas do produto. Esses poderão ser fornecidos pela Axis ou por terceiros. A Axis recomenda usar equipamento de fonte de alimentação Axis compatível com seu produto.
- Utilize apenas peças sobressalentes fornecidas ou recomendadas pela Axis.
- Não tente reparar o produto por conta própria. Entre em contato com o suporte ou seu revendedor Axis para quaisquer questões relacionadas a serviços.

#### Transporte

##### **OBSERVAÇÃO**

- Ao transportar o produto Axis, use a embalagem original ou equivalente para evitar danos ao produto.

#### Bateria

Este produto Axis usa uma bateria de lítio CR2032 de 3,0 V como fonte de alimentação para seu relógio interno de tempo real (RTC). Em condições normais, a vida útil mínima desta bateria é de cinco anos.

As baterias tipo célula de íons de lítio de 3,0 V contêm 1,2-dimetoxietano; etileno glicol éter dimetilico (EGDME), nº CAS 110-71-4.

## РУССКИЙ

### Сведения по безопасности

#### Уровни опасности

##### **▲ ОПАСНО**

Опасная ситуация, которая, если ее не устранить, приведет к смерти или опасным травмам.

##### **▲ ВНИМАНИЕ!**

Опасная ситуация, которая, если ее не устранить, может привести к смерти или опасным травмам.

##### **▲ ОСТОРОЖНО**

Опасная ситуация, которая, если ее не устранить, может привести к травмам незначительной или средней тяжести.

##### **ПРИМЕЧАНИЕ**

Опасная ситуация, которая, если ее не устранить, может вызвать повреждение имущества.

#### Прочие уведомления

##### **Важно!**

Означает существенную информацию, которая важна для правильной работы изделия.

##### **Примечание.**

Означает полезную информацию, которая помогает использовать все возможности изделия.

#### Инструкции в экстренных ситуациях

##### **ПРИМЕЧАНИЕ**

- Это изделие Axis следует использовать в соответствии с местными законами и нормативами.
- Камера Axis должна храниться в сухом, хорошо проветриваемом помещении.
- Не допускайте ударов или сильного давления на устройство Axis.
- При установке устройства Axis используйте только предназначенные для этого инструменты. Приложение чрезмерных усилий к инструментам может привести к повреждению устройства.
- Не используйте химикалии, едкие вещества или аэрозольные очистители.
- Для очистки устройства используйте мягкую ткань, смоченную в чистой умеренно теплой воде.
- Не используйте для очистки устройства средство для мытья окон, ацетон и другие подобные химические вещества.
- Используйте только принадлежности, которые соответствуют техническим характеристикам данного устройства. Они могут поставляться компанией Axis или сторонним производителем. Компания Axis рекомендует использовать блоки питания Axis, совместимые с устройством.
- Используйте только запасные части, поставляемые или рекомендованные компанией Axis.
- Не пытайтесь отремонтировать устройство самостоятельно. По вопросам обслуживания обращайтесь в службу поддержки Axis или к своему реселлеру Axis.

#### Транспортировка

##### **ПРИМЕЧАНИЕ**

- При транспортировке устройства Axis используйте оригинальную упаковку или ее эквивалент во избежание повреждения изделия.

## Батарея

В качестве источника питания для внутренних часов реального времени в этом устройстве Axis используется литиевая батарея CR2032 с напряжением 3 В. При нормальных условиях эта батарея способна работать не менее пяти лет.

Плоские литиевые батареи (3,0 В) содержат 1,2-диметоксизтан – диметилловый эфир этиленгликоля (EGDME), CAS № 110-71-4.

## 中文

### 安全信息

#### 危险等级

##### ▲ 危险

表示如果不避免则会导致死亡或严重伤害的危险情况。

##### ▲ 警告

表示如果不避免则可能导致死亡或严重伤害的危险情况。

##### ▲ 警示

表示如果不避免则可能导致轻微或中度伤害的危险情况。

##### 注意

表示如果不避免则可能导致财产损失的情况。

#### 其他消息等级

##### 重要

表示产品正常工作所必需的重要信息。

##### 注

表示有助于充分利用产品的有用信息。

### 安全说明

##### 注意

- 使用安讯士产品时应遵守当地法律和法规。
- 在干燥通风的环境中存放安讯士产品。
- 避免将安讯士产品暴露在冲击或重压下。
- 安装安讯士产品时，仅使用适用的工具。使用电动工具过度施力可能导致产品损坏。
- 请勿使用化学品、腐蚀性剂或气雾剂。
- 使用蘸有温水的软布清洁设备。
- 请勿使用窗户清洁剂或丙酮等化学品来清洁设备。
- 仅使用符合产品技术规格的附件。这些附件可由安讯士或第三方提供。安讯士推荐使用与产品兼容的安讯士电源设备。
- 仅使用安讯士提供或推荐的备件。
- 请勿尝试自行维修产品。有关服务事项，请联系安讯士支持部门或安讯士经销商。

#### 运输

##### 注意

- 安讯士产品运输途中，应使用其原包装或等效包装，以防对产品造成损坏。

#### 电池

安讯士产品使用 3.0 V CR2032 锂电池作为其内部实时时钟 (RTC) 的电源。在正常情况下，此电池将持续至少五年。

3.0 V 纽扣锂电池内含 1,2-二甲氧基乙烷；乙二醇二甲醚 (EGDME)，CAS 编号为 110-71-4。

## 한국어

### 안전 정보

#### 위험 레벨

##### ▲ 위험

피하지 못한 경우 사망이나 심각한 부상이 발생하는 위험한 상황을 나타냅니다.

### ▲ 경고

피하지 못한 경우 사망이나 심각한 부상이 발생할 수 있는 위험한 상황을 나타냅니다.

### ▲ 주의

피하지 못한 경우 경미하거나 심하지 않은 부상이 발생할 수 있는 위험한 상황을 나타냅니다.

### 통지

피하지 못한 경우 재산상 손해가 발생할 수 있는 상황을 나타냅니다.

## 기타 메시지 레벨

### 중요 사항

제품이 올바르게 작동하는 데 필수적인 중요 정보를 나타냅니다.

### 참고

제품을 최대한으로 활용하는 데 도움이 되는 유용한 정보를 나타냅니다.

## 안전 지침

### 통지

- Axis 제품은 해당 지역 법률 및 규정을 준수하여 사용해야 합니다.
- Axis 제품은 건조하고 환기가 잘 되는 곳에 보관하십시오.
- Axis 제품에 충격이나 강한 압력을 가하지 마십시오.
- Axis 제품을 설치할 때에는 적합한 도구만 사용하십시오. 전동 공구로 과도한 힘을 사용하면 제품에 손상을 줄 수 있습니다.
- 화학 물질, 부식제, 에어로졸 세척제를 사용하지 마십시오.
- 미지근한 물에 적신 부드러운 천으로 장치를 세척합니다.
- 창문 세정제나 아세톤과 같은 화학 물질을 사용하여 장치를 세척하지 마십시오.
- 제품의 기술적 사양을 준수하는 액세서리만 사용하십시오. 이러한 액세서리는 Axis 또는 제3자가 제공할 수 있습니다.

Axis는 귀하의 제품과 호환되는 Axis 전원 장비 사용을 권장합니다.

- Axis가 공급하거나 추천하는 예비 부품만 사용하십시오.
- 제품을 직접 수리하려고 하지 마십시오. 서비스 문제에 대해 Axis 지원 부서 또는 Axis 리셀러에 문의하십시오.

## 운반

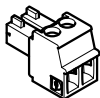
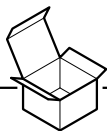
### 통지

- Axis 제품을 운반할 때는 원래 포장이나 이에 준하는 포장을 사용해 제품이 손상되지 않도록 하십시오.

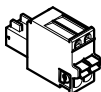
## 배터리

Axis 제품은 3.0V CR2032 리튬 배터리를 내부 RTC(real-time clock)의 전원으로 사용합니다. 정상 조건에서 이 배터리는 최소 5년간 사용할 수 있습니다.

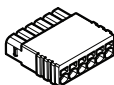
리튬 코인 셀 3.0V 배터리는 1,2-디메톡시에탄, EGDME(ethylene glycol dimethyl ether), CAS no. 110-71-4를 포함하고 있습니다.



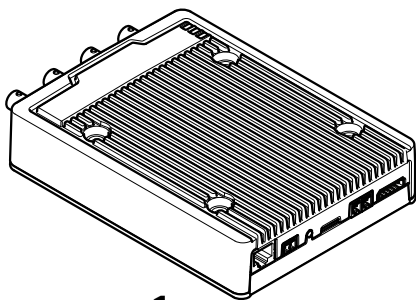
1x



2x

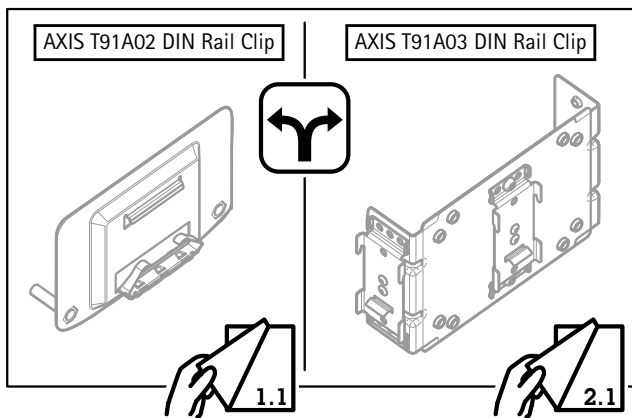
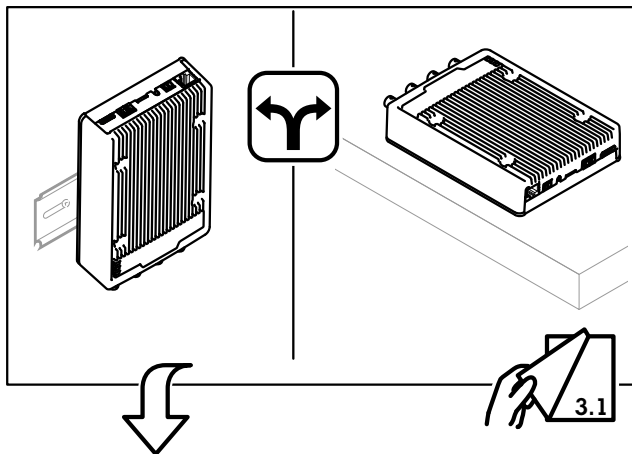


1x

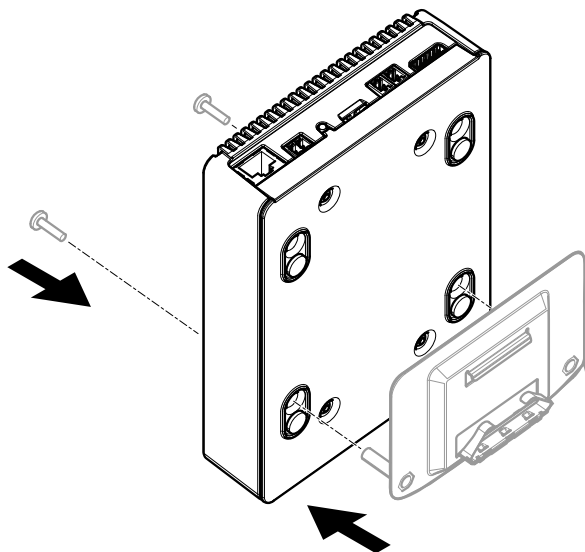


1x

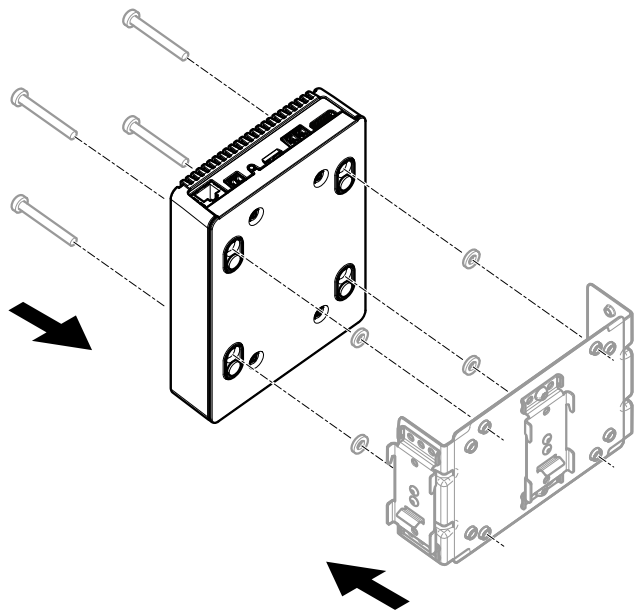




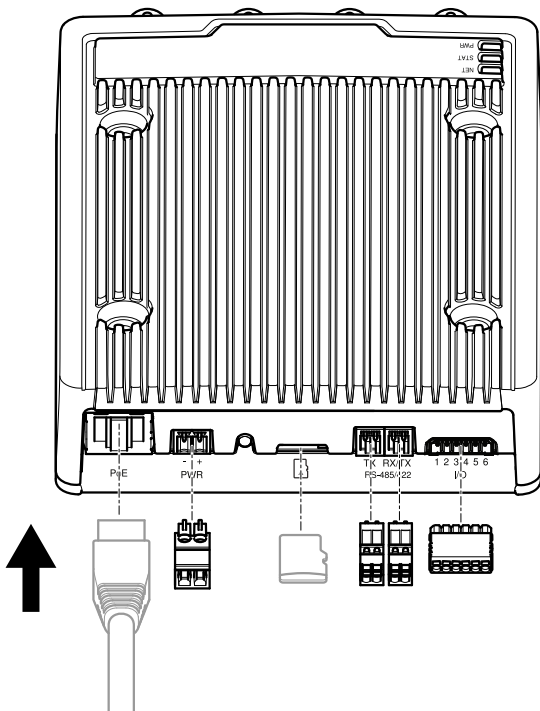
# 1.1



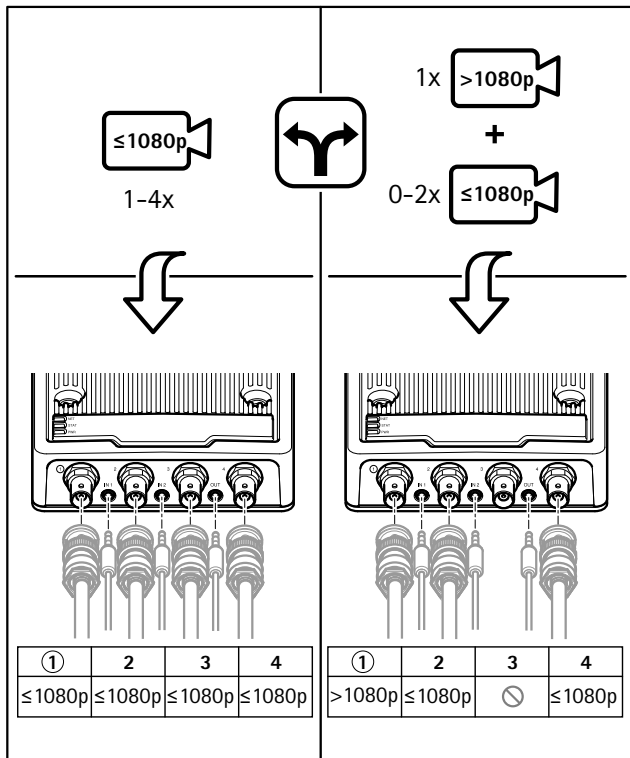
## 2.1



# 3.1



## 3.2





2061046

2025-01 (M6.2)

© 2019 – 2025 Axis Communications AB