

# AXIS Q8752-E Mk II Bispectral Network Camera

**Repainting instructions**

## Impact on warranty

This product is approved for repaint by Axis, provided that you follow the instructions in this document and at [axis.com/warranty-implication-when-repainting](https://axis.com/warranty-implication-when-repainting).

## Risks with repainting

There are several risks when disassembling or assembling an Axis product. Training of operators and the use of correct tools mediates some of the problems but they can never be fully avoided. Some of the risks include:

**ESD Damage** – Always handle the product in an ESD safe environment. Even if precautions are taken there is always a risk of ESD damage. The damage can remain undetected and cause problems during the lifetime of the equipment.

**Dust contamination** – Opening a camera may expose the lens and sensor to dust or paint. Dust will affect the optical performance. Lenses need to be disassembled in a dust-free environment, preferably a cleanroom.

**Paint overspray** – Masking the different components of the equipment is critical. Failure to mask sensitive areas can cause problems when assembling the equipment. Areas not painted at the factory or which have a different surface treatment than the parts to be painted (threads, ground and electrical contact surfaces) must also be masked to ensure function.

## Repaint the product

### Preparations

- If applicable, disassemble the device according to the instructions in this document.
- Clean all parts that will be repainted thoroughly to remove grease, dust, or oil.
- To ensure reassembly and functionality of the product, mask any openings (for example for screws, LED indicators, or microphones) before you paint.
- To avoid unwanted reflections, mask the inside of the weathershield before you paint.

### Pretreatment of parts

Depending on the part material and type of coating applied at the factory, pretreatment might be necessary for the new coating to adhere well. Before you apply a new coating, we recommend the following pretreatment:

1. If necessary, roughen up the surface with a light sandpaper or similar to increase adhesion. Alternatively, remove the original coating down to the base material.
2. Clean the parts properly to remove oil, grease, and dust.
3. If necessary, apply a primer layer suitable for the specific material, to increase adhesion to the parts. For metal parts on outdoor products, we recommend a primer to improve corrosion resistance.

We recommend pretreatment of parts that are:

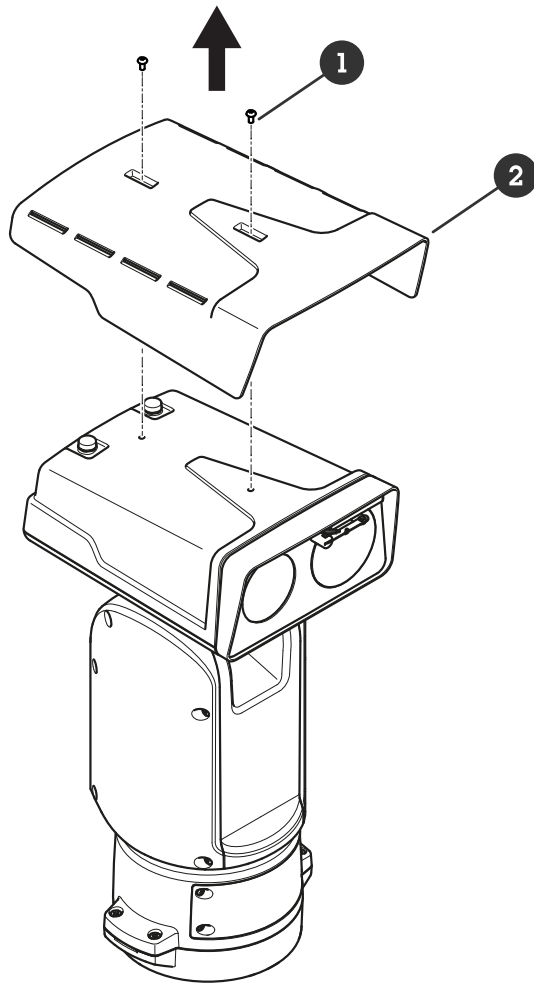
- powder-coated
- wet-painted
- anodised
- chromated
- stainless steel
- other metal
- plastic

The materials used in this product are Aluminium EN AC-44300 for the camera and ASA LURAN S 797 SEUV Axis White for the weathershield.

### Disassembly

#### Important

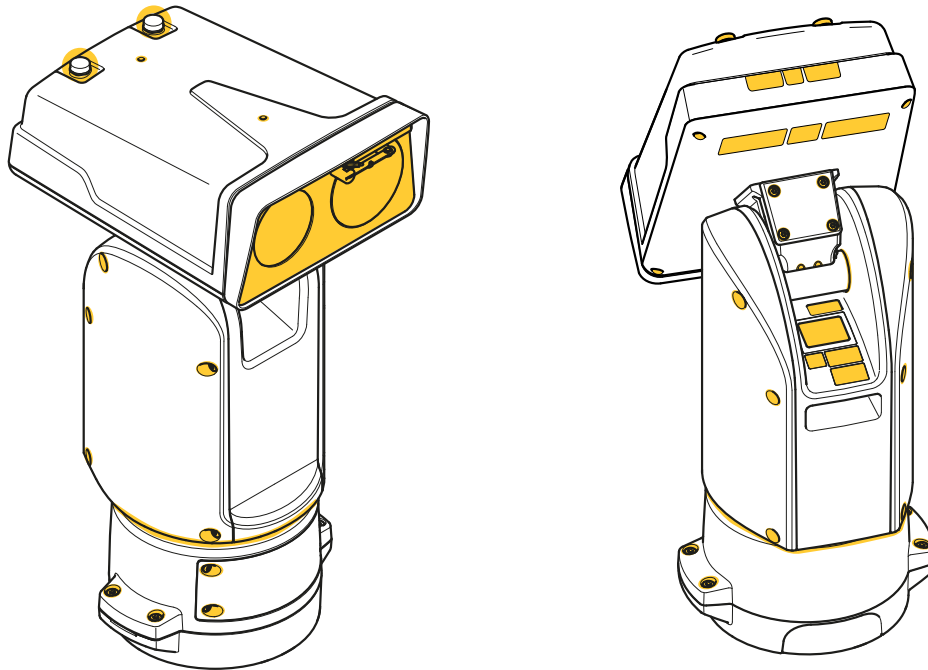
If you remove any other parts than those specified in this document, it means that the ingress protection (IP) rating of your product can't be guaranteed. If you remove any additional parts, it will result in lapse of warranty.



- 1 Weathershield screw (2x)
- 2 Weathershield

1. Remove the weathershield screws.
2. Remove the weathershield.

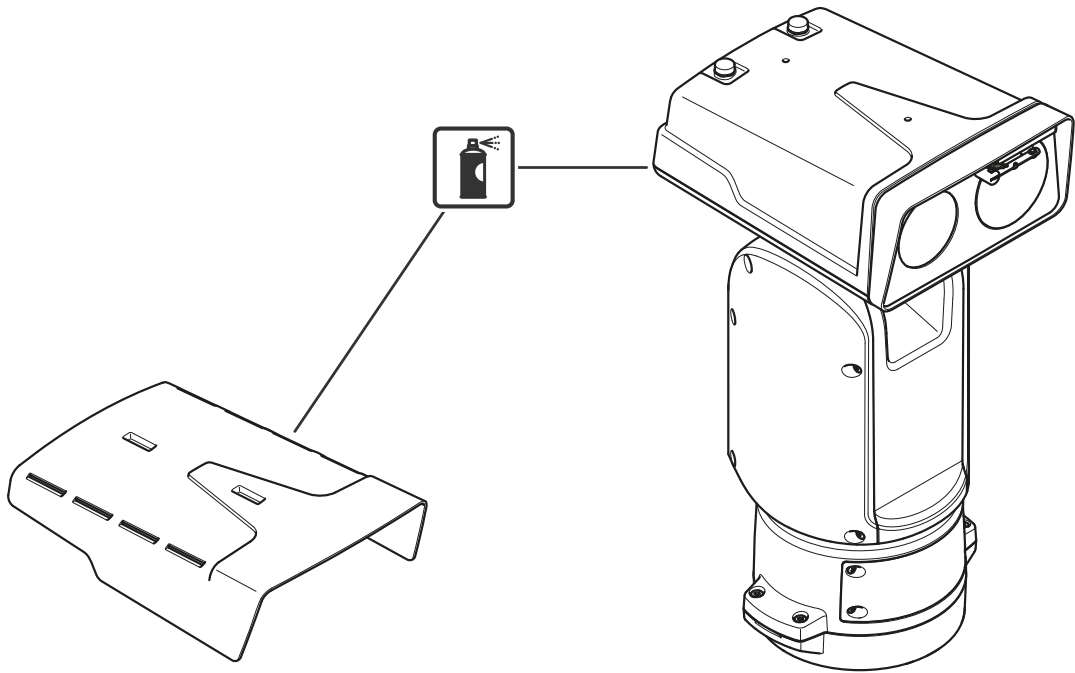
## Masking



Mask the following parts:

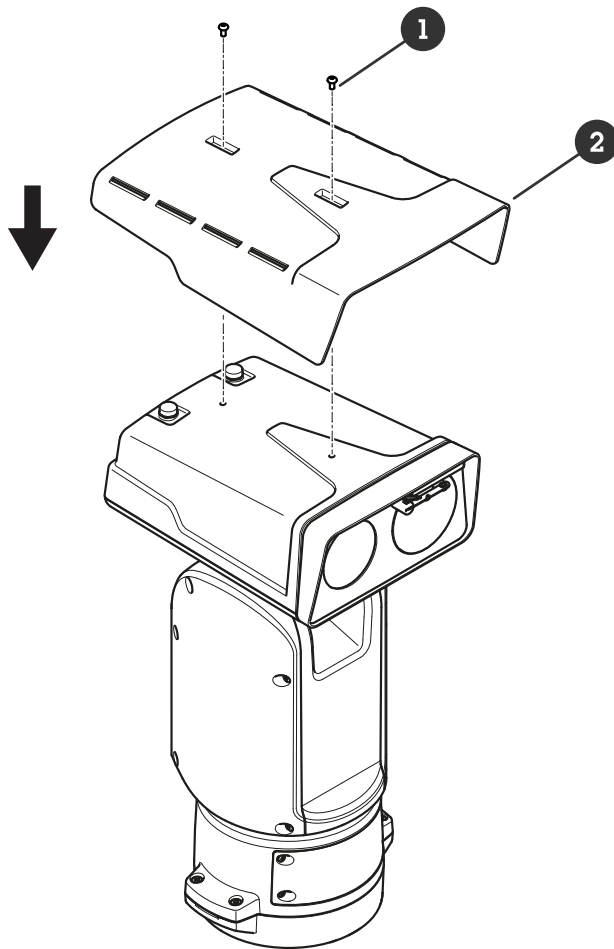
- All visible screws, screw holes and ventilation holes
- Shaft openings in the pan unit
- Opening between the base unit and the pan unit
- Labels and front window (including the wiper)

## Repainting



1. Apply a thin and even layer of spray paint according to the instructions of the paint manufacturer, and let the paint dry.
2. If you wish to get a better coverage and clearer color, apply a second layer of spray paint.
3. When the paint is dry, remove the masking.

## Reassembly



- 1 Weathershield screw (2x)
- 2 Weathershield

1. Return the weathershield to its position.
2. Put back and tighten the weathershield screws (torque 0.8 Nm).

**NOTICE**

For instructions on how to repaint illuminator brackets, see the product's repainting instructions available at [axis.com](http://axis.com).

T10222705

2025-03 (M1.4)

© 2025 Axis Communications AB