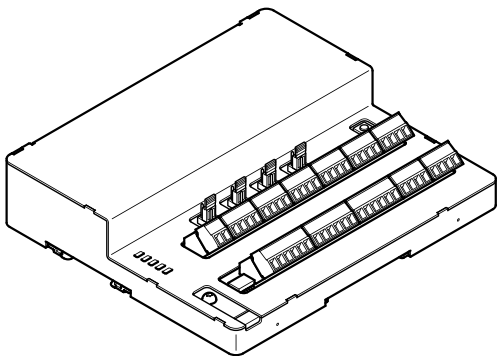


AXIS A9910 I/O Relay Expansion Module



Installation guide

Read this first

Read through this installation guide carefully before you install the product. Keep the installation guide for future reference.

Liability

Every care has been taken in the preparation of this document. Please inform your local Axis office of any inaccuracies or omissions. Axis Communications AB cannot be held responsible for any technical or typographical errors and reserves the right to make changes to the product and manuals without prior notice. Axis Communications AB makes no warranty of any kind with regard to the material contained within this document, including, but not limited to, the implied warranties of merchantability and fitness for a particular purpose. Axis Communications AB shall not be liable nor responsible for incidental or consequential damages in connection with the furnishing, performance or use of this material. This product is only to be used for its intended purpose.

Intellectual property rights

Axis AB has intellectual property rights relating to technology embodied in the product described in this document. In particular, and without limitation, these intellectual property rights may include one or more of the patents listed at axis.com/patent and one or more additional patents or pending patent applications in the US and other countries.

This product contains source code copyright Apple Computer, Inc., under the terms of Apple Public Source License 2.0 (see opensource.apple.com/apsl). The source code is available from developer.apple.com/bonjour/.

Equipment modifications

This equipment must be installed and used in strict accordance with the instructions given in the user documentation. This equipment contains no user-serviceable components. Unauthorized equipment changes or modifications will invalidate all applicable regulatory certifications and approvals.

Trademark acknowledgements

AXIS COMMUNICATIONS, AXIS, ARTPEC and VAPIX are registered trademarks of Axis AB in various jurisdictions. All other trademarks are the property of their respective owners.

Regulatory information

Europe



This product complies with the applicable CE marking directives and harmonized standards:

- Electromagnetic Compatibility (EMC) Directive 2014/30/EU. See *Electromagnetic compatibility (EMC) on page 2*.
- Low Voltage Directive (LVD) 2014/35/EU. See *Safety on page 3*.
- Restriction of Hazardous Substances (RoHS) Directive 2011/65/EU and 2015/863, including any amendments, updates or replacements. See *Disposal and recycling on page 3*.

A copy of the original declaration of conformity may be obtained from Axis Communications AB. See *Contact information on page 4*.

Electromagnetic compatibility (EMC)

This equipment has been designed and tested to fulfill applicable standards for:

- Radio frequency emission when installed according to the instructions and used in its intended environment.
- Immunity to electrical and electromagnetic phenomena when installed according to the instructions and used in its intended environment.

USA

This device complies with part 15 of the FCC Rules. Operation is subject to the following two conditions:

1. This device may not cause harmful interference, and
2. this device must accept any interference received, including interference that may cause undesired operation.

This equipment has been tested and found to comply with the limits for a Class A digital device, pursuant to part 15 of the FCC Rules. These limits are designed to provide reasonable protection against harmful interference when the equipment is operated in a commercial environment. This equipment generates, uses, and can radiate radio frequency energy and, if not installed and used in accordance with the instruction manual, may cause harmful interference to radio communications. Operation of this equipment in a residential area is likely to cause harmful interference in which

case the user will be required to correct the interference at his own expense. The product shall be properly grounded.

Contact information

Axis Communications Inc.
300 Apollo Drive
Chelmsford, MA 01824
United States of America
Tel: +1 978 614 2000

Canada

This digital apparatus complies with CAN ICES-3 (Class A). The product shall be properly grounded. Cet appareil numérique est conforme à la norme CAN NMB-3 (classe A). Le produit doit être correctement mis à la terre.

Europe

This digital equipment fulfills the requirements for RF emission according to the Class A limit of EN 55032. The product shall be properly grounded. Notice! This is a Class A product. In a domestic environment this product may cause RF interference, in which case the user may be required to take adequate measures.

This digital equipment fulfills the requirements according to EN 50130-4 when used with an uninterruptible power supply.

Australia/New Zealand

This digital equipment fulfills the requirements for RF emission according to the Class A limit of AS/NZS CISPR 32. The product shall be properly grounded. Notice! This is a Class A product. In a domestic environment this product may cause RF interference, in which case the user may be required to take adequate measures.

Japan

この装置は、クラスA機器です。この装置を住宅環境で使用すると電波妨害を引き起こすことがあります。この場合には使用者が適切な対策を講ずるよう要求されることがあります。VCCI-A
本製品は、適切に接地してください。

Korea

이 기기는 업무용 환경에서 사용할 목적으로 적합성평가를 받은 기기로서 가정용 환경에서 사용하는 경우 전파간섭의 우려가 있습니다. 제품은 적합하게 접지 되어야 합니다.

Safety

This product complies with IEC/EN/UL 62368-1, safety of audio/video and IT equipment.

The product shall be grounded via an appropriate grounding cable.

The power supply used with this product shall have a rated output voltage within voltage range of 12–24 V DC, and a max power rating of 90 W.

The power supply used with this product shall fulfill one of the following requirements:

- Safety Extra Low Voltage (SELV) according to CEC/NEC Class 2 source of supply as defined in the Canadian Electrical Code, CSA C22.1 and National Electrical Code, ANSI/NFPA 70
- Class 1 electrical energy source (ES1) and Class 2 power source (PS2) rated output power limited to ≤100 W according to IEC/EN/UL 62368-1

Disposal and recycling

When this product has reached the end of its useful life, dispose of it according to local laws and regulations. For information about your nearest designated collection point, contact your local authority responsible for waste disposal. In accordance with local legislation, penalties may be applicable for incorrect disposal of this waste.

Europe



■ This symbol means that the product shall not be disposed of together with household or commercial waste. Directive 2012/19/EU on waste electrical and electronic equipment (WEEE) is applicable in the European Union member states. To prevent potential harm to human health and the environment, the product must be disposed of in an approved and environmentally safe recycling process. For information about your nearest designated collection point, contact your local authority responsible for waste disposal. Businesses should contact the product supplier for information about how to dispose of this product correctly.

This product complies with the requirements of Directive 2011/65/EU and 2015/863 on the restriction of the use of certain hazardous substances in electrical and electronic equipment (RoHS).

China



This product complies with the requirements of SJ/T 11364-2014, Marking

for the restriction of hazardous substances in electrical and electronic products.

有毒有害物质或元素						
部件名称	铅 (P-b)	汞 (H-g)	镉 (C-d)	六价铬 (C-r(V-I))	多溴联苯 (P-B-B)	多溴二苯醚 (P-B-D-E)
电气实装部分	X	0	0	0	0	0

0: 表示该有毒有害物质在该部件均质材料中的含量均在GB/T 26572标准规定的限量要求以下。

X: 表示该有毒有害物质至少在该部件的某一均质材料中的含量超出GB/T 26572标准规定的限量要求。

- download user documentation and software updates
- find answers to resolved problems in the FAQ database, search by product, category, or phrase
- report problems to Axis support staff by logging in to your private support area
- chat with Axis support staff
- visit Axis Support at axis.com/support

Learn more!

Visit Axis learning center axis.com/learning for useful trainings, webinars, tutorials and guides.

Contact information

Axis Communications AB
Gränden 1
223 69 Lund
Sweden

Tel: +46 46 272 18 00
Fax: +46 46 13 61 30

axis.com

Warranty information

For information about Axis' product warranty and thereto related information, go to axis.com/warranty.

Support

Should you require any technical assistance, please contact your Axis reseller. If your questions cannot be answered immediately, your reseller will forward your queries through the appropriate channels to ensure a rapid response. If you are connected to the Internet, you can:

English

Safety information

Hazard levels

⚠ DANGER

Indicates a hazardous situation which, if not avoided, will result in death or serious injury.

⚠ WARNING

Indicates a hazardous situation which, if not avoided, could result in death or serious injury.

⚠ CAUTION

Indicates a hazardous situation which, if not avoided, could result in minor or moderate injury.

NOTICE

Indicates a situation which, if not avoided, could result in damage to property.

Other message levels

Important

Indicates significant information which is essential for the product to function correctly.

Note

Indicates useful information which helps in getting the most out of the product.

Safety instructions

⚠ WARNING

The Axis product shall be installed by a trained professional, and in compliance with local laws and regulations.

NOTICE

- The Axis product shall be used in compliance with local laws and regulations.
- To use the Axis product outdoors, or in similar environments, it shall be installed in an approved outdoor housing.
- Store the Axis product in a dry and ventilated environment.
- Avoid exposing the Axis product to shocks or heavy pressure.
- Avoid exposing the Axis product to vibration.
- Install the product using screws and plugs appropriate for the material (e.g. wood, metal, sheet rock, stone).

- Do not install the product on unstable poles, brackets, surfaces or walls.
- Do not install the product on vibrating poles, brackets, surfaces or walls.
- Use only applicable tools when installing the Axis product. Using excessive force with power tools could cause damage to the product.
- Do not use chemicals, caustic agents, or aerosol cleaners.
- Use a clean cloth dampened with pure water for cleaning.
- Use only accessories that comply with the technical specification of your product. These can be provided by Axis or a third party. Axis recommends using Axis power source equipment compatible with your product.
- Use only spare parts provided by or recommended by Axis.
- Do not attempt to repair the product yourself. Contact Axis support or your Axis reseller for service matters.
- When used with an inductive load, connect a diode in parallel with the load to protect against voltage transients.
- The power supply shall be plugged in to a socket outlet installed near the product and shall be easily accessible.
- Use a yellow/green colored grounding cable of at least 0.5 mm² or 20 AWG.

Transportation

NOTICE

- Keep the protective packaging. When transporting the Axis product, the protective packaging shall be replaced in its original position.
- When transporting the Axis product, use the original packaging or equivalent to prevent damage to the product.

Français

Informations sur la sécurité

Niveaux de risques

⚠ DANGER

Indique une situation dangereuse qui, si elle n'est pas évitée, entraînera le décès ou des blessures graves.

⚠️ AVERTISSEMENT

Indique une situation dangereuse qui, si elle n'est pas évitée, pourrait entraîner le décès ou des blessures graves.

⚠️ ATTENTION

Indique une situation dangereuse qui, si elle n'est pas évitée, pourrait entraîner des blessures légères ou modérées.

REMARQUE

Indique une situation qui, si elle n'est pas évitée, pourrait endommager l'appareil.

Autres niveaux de message

Important

Indique les informations importantes, nécessaires pour assurer le bon fonctionnement de l'appareil.

Remarque

Indique les informations utiles qui permettront d'obtenir le fonctionnement optimal de l'appareil.

Consignes de sécurité

⚠️ AVERTISSEMENT

Le produit Axis doit être installé par un professionnel qualifié et conformément aux lois et réglementations locales en vigueur.

REMARQUE

- Le produit Axis doit être utilisé conformément aux lois et règlements locaux.
- Pour pouvoir utiliser le produit Axis à l'extérieur, ou dans des environnements similaires, il doit être installé dans un boîtier d'extérieur homologué.
- Conserver ce produit Axis dans un environnement sec et ventilé.
- Ne pas exposer ce produit Axis aux chocs ou aux fortes pressions.
- Ne pas exposer ce produit Axis aux vibrations.
- Installer le produit à l'aide de vis et de chevilles adaptées au matériau (bois, métal, placoplâtre, pierre).
- Ne pas installer ce produit sur des poteaux, supports, surfaces ou murs instables.
- Ne pas installer ce produit sur des poteaux, supports, surfaces ou murs soumis à des vibrations.

- Utiliser uniquement des outils recommandés pour l'installation de l'appareil Axis. L'application d'une force excessive sur l'appareil avec des outils puissants pourrait l'endommager.
- Ne pas utiliser de produits chimiques, de substances caustiques ou de nettoyeurs pressurisés.
- Utiliser un chiffon propre imbibé d'eau pure pour le nettoyage.
- Utiliser uniquement des accessoires conformes aux caractéristiques techniques de votre produit. Ils peuvent être fournis par Axis ou un tiers. Axis recommande d'utiliser un équipement d'alimentation Axis compatible avec votre produit.
- Utiliser uniquement les pièces de rechange fournies ou recommandées par Axis.
- Ne pas essayer de réparer vous-même ce produit. Contacter l'assistance technique d'Axis ou votre revendeur Axis pour des problèmes liés à l'entretien.
- En cas d'utilisation avec une charge inductive, par exemple un relais, connectez une diode en parallèle à la charge pour assurer la protection contre les transitoires de tension.
- L'alimentation électrique doit être branchée à une prise de courant installée près de l'équipement et être facilement accessible.
- Utilisez un câble de mise à la terre de couleur jaune/vert d'au moins 0,5 mm² ou 20 AWG.

Transport

REMARQUE

- Conservez l'emballage de protection. Lors du transport du produit Axis, l'emballage de protection doit être remis dans sa position d'origine.
- Lors du transport du produit Axis, utilisez l'emballage d'origine ou un équivalent pour éviter d'endommager le produit.

Deutsch

Sicherheitsinformationen

Gefährdungsstufen

⚠️ GEFAHR

Weist auf eine gefährliche Situation hin, welche, wenn sie nicht vermieden wird, zum Tod oder zu schweren Verletzungen führen wird.

⚠️ WARNUNG

Weist auf eine gefährliche Situation hin, welche, wenn sie nicht vermieden wird, zum Tod oder zu schweren Verletzungen führen könnte.

⚠️ VORSICHT

Weist auf eine gefährliche Situation hin, welche, wenn sie nicht vermieden wird, zu leichteren oder mäßig schweren Verletzungen führen könnte.

HINWEIS

Weist auf eine Situation hin, welche, wenn sie nicht vermieden wird, zu Sachschäden führen könnte.

Andere Meldeebenen

Wichtig

Weist auf wichtige Informationen hin, die den richtigen Betrieb des Produkts gewährleisten.

Hinweis

Weist auf nützliche Informationen hin, die die optimale Verwendung des Produkts unterstützen.

Sicherheitsanweisungen

⚠️ WARNUNG

Das Axis Produkt muss von fachmännisch geschultem Personal und unter Einhaltung der örtlich geltenden Bestimmungen installiert werden.

HINWEIS

- Das Axis Produkt muss unter Beachtung der geltenden Gesetze und Bestimmungen betrieben werden.
- Für den Einsatz von Axis Produkten im Außenbereich oder ähnlichen Umgebungen müssen diese in für den Außenbereich zugelassenen Gehäusen installiert werden.
- Lagern Sie das Axis Produkt in einer trockenen und belüfteten Umgebung.
- Das Axis Produkt weder Stößen noch starkem Druck aussetzen.
- Das Axis Produkt keinen Schwingungen aussetzen.
- Die Schrauben und Dübel müssen für das entsprechende Material (wie etwa Holz,

Metall, Gipskartonplatten, Beton) geeignet sein.

- Das Produkt nicht an instabilen Masten, Halterungen, Oberflächen oder Wänden anbringen.
- Installieren Sie das Produkt nicht an vibrierenden Masten, Halterungen, Oberflächen oder Wänden.
- Verwenden Sie bei der Installation des Axis Produkts ausschließlich passende Werkzeuge. Ein zu großer Kraftaufwand mit elektrischen Werkzeugen kann das Produkt beschädigen.
- Verwenden Sie keine chemischen, ätzenden oder aerosolhaltigen Reinigungsmittel.
- Verwenden Sie zum Reinigen ein sauberes, mit destilliertem Wasser angefeuchtetes Tuch.
- Verwenden Sie nur Zubehör, das den technischen Vorgaben Ihres Produkts entspricht. Dieses ist von Axis oder Drittanbietern erhältlich. Axis empfiehlt die mit Ihrem Produkt kompatible Stromversorgung von Axis.
- Verwenden Sie ausschließlich Ersatzteile die von Axis angeboten oder empfohlen werden.
- Versuchen Sie nicht, dieses Produkt selbstständig zu reparieren. Wenden Sie sich bezüglich Reparatur und Wartung an den Axis Support oder Ihren Axis Händler.
- Bei Verwendung mit einer induktiven Last muss zum Schutz vor Spannungssprüngen eine Diode parallel zur Last geschaltet werden.
- Das Netzteil sollte an eine Steckdose in der Nähe des Produkts angeschlossen werden und leicht zugänglich sein.
- Verwenden Sie ein gelb/grün gekennzeichnetes Erdungskabel mit einem Querschnitt von mindestens 0,5 mm².

Transport

HINWEIS

- Bewahren Sie die Schutzverpackung auf. Bei Bedarf Axis Produkt in der Originalverpackung transportieren.
- Bei Bedarf transportieren Sie das Axis Produkt in der Originalverpackung oder einer entsprechenden Verpackung, so dass Schäden vermieden werden.

Informazioni di sicurezza

Livelli di pericolo

▲PERICOLO

Indica una situazione pericolosa che, se non evitata, provoca morte o lesioni gravi.

▲AVISO

Indica una situazione pericolosa che, se non evitata, potrebbe provocare la morte o lesioni gravi.

▲ATTENZIONE

Indica una situazione pericolosa che, se non evitata, potrebbe provocare lesioni medie o minori.

AWISO

Indica una situazione che, se non evitata, potrebbe danneggiare la proprietà.

Altri livelli di messaggio

Importante

Indica informazioni importanti, essenziali per il corretto funzionamento del dispositivo.

Nota

Indica informazioni utili che aiutano a ottenere il massimo dal dispositivo.

Informazioni di sicurezza

▲AVISO

Il dispositivo Axis deve essere installato da un professionista qualificato, in conformità alle leggi e alle disposizioni locali.

AWISO

- Il dispositivo Axis deve essere utilizzato in conformità alle leggi e alle normative locali.
- Per utilizzare il dispositivo Axis in ambienti esterni o in ambienti simili, deve essere installato in una custodia per esterni approvata.
- Conservare il dispositivo Axis in un ambiente asciutto e ventilato.
- Evitare di esporre il dispositivo Axis a urti o pressioni eccessive.
- Evitare di esporre il dispositivo Axis a vibrazione.

- Installare il dispositivo usando le viti e i tasselli adatti al materiale (ad esempio legno, metallo, cartongesso, pietra).
- Non installare il dispositivo su supporti, superfici, pareti o pali instabili.
- Non installare il dispositivo su supporti, superfici, pareti o pali che vibrano.
- Utilizzare solo strumenti applicabili quando si installa il dispositivo Axis. Se si utilizza una forza eccessiva con strumenti non adatti è possibile causare danni al dispositivo.
- Non utilizzare sostanze chimiche, agenti caustici o detergenti aerosol.
- Utilizzare un panno pulito inumidito in acqua pura per la pulizia.
- Utilizzare solo accessori compatibili con le specifiche tecniche del dispositivo. Questi possono essere forniti da Axis o da terze parti. Axis consiglia l'uso dell'apparecchiatura di alimentazione Axis compatibile con il dispositivo.
- Utilizzare solo parti di ricambio fornite o consigliate da Axis.
- Non tentare di riparare il dispositivo da soli. Contattare l'assistenza o il rivenditore Axis per questioni relative alla manutenzione.
- Se utilizzato con un carico induttivo, collegare un diodo in parallelo al carico per proteggere il dispositivo da sovratensioni.
- L'alimentatore dovrebbe essere collegato a una presa di corrente vicina al dispositivo e facilmente accessibile.
- Utilizzare un cavo di messa a terra giallo/verde di almeno 0,5 mm² o 20 AWG.

Trasporto

AWISO

- Conservare l'imballaggio di protezione. Durante il trasporto del dispositivo Axis, l'imballaggio di protezione deve essere ricollocato nella sua posizione originale.
- Durante il trasporto del dispositivo Axis, utilizzare l'imballaggio originale o equivalente per evitare danni al dispositivo.

Español

Información de seguridad

Niveles de peligro

▲PELIGRO

Indica una situación peligrosa que, si no se evita, provocará lesiones graves o la muerte.

▲ADVERTENCIA

Indica una situación peligrosa que, si no se evita, puede provocar lesiones graves o la muerte.

▲PRECAUCIÓN

Indica una situación peligrosa que, si no se evita, puede provocar lesiones moderadas o leves.

AVISO

Indica una situación peligrosa que, si no se evita, puede provocar daños materiales.

Otros niveles de mensaje

Importante

Indica información importante que es fundamental para que el producto funcione correctamente.

Nota

Indica información útil que ayuda a aprovechar el producto al máximo.

Instrucciones de seguridad

▲ADVERTENCIA

El producto de Axis debe instalarse un profesional formado conforme a las leyes y normativas locales.

AVISO

- Este producto de Axis debe utilizarse de acuerdo con las leyes y normativas locales.
- Para usar el producto de Axis en exteriores, o en entornos similares, debe instalarse en una carcasa exterior aprobada.
- Almacene el producto de Axis en un entorno seco y ventilado.
- Evite la exposición del producto de Axis a choques o a una fuerte presión.
- Evite la exposición del producto de Axis a vibraciones.
- Instale el producto utilizando los tornillos y tacos adecuados para el material (por ejemplo, madera, metal, placas de yeso, piedra, etc.).
- No instale el producto en postes, soportes, superficies o paredes inestables.
- No instale el producto en postes, soportes, superficies o paredes que vibren.
- Utilice solo las herramientas correspondientes cuando instale el producto de Axis. La aplicación de una

fuerza excesiva con herramientas eléctricas puede provocar daños en el producto.

- No utilice limpiadores en aerosol, agentes cáusticos ni productos químicos.
- Limpie con un paño limpio humedecido con agua pura.
- Utilice solo accesorios que cumplan con las especificaciones técnicas de su producto. Estos accesorios los puede proporcionar Axis o un tercero. Axis recomienda utilizar un equipo de suministro de alimentación de Axis compatible con su producto.
- Utilice solo piezas de repuesto proporcionadas o recomendadas por Axis.
- No intente reparar el producto usted mismo. Póngase en contacto con el servicio de asistencia técnica de Axis o con su distribuidor de Axis para tratar asuntos de reparación.
- Cuando se utiliza con una carga inductiva, conecte un diodo en paralelo a la carga como protección contra transitorios de tensión.
- La fuente de alimentación se enchufará a una toma de conector instalada cerca del producto y a la que se podrá acceder fácilmente.
- Utilice un cable de tierra de color amarillo/verde de al menos 0,5 mm² o 20 AWG.

Transporte

AVISO

- Mantenga el embalaje de protección. Cuando transporte el producto de Axis, el embalaje de protección debe volver a ponerse en su posición original.
- Cuando transporte el producto de Axis, utilice el embalaje original o un equivalente para evitar daños en el producto.

日本語

安全情報 危険レベル

▲危険

回避しない場合、死亡または重傷につながる危険な状態を示します。

▲警告

回避しない場合、死亡または重傷につながるおそれのある危険な状態を示します。

▲注意

回避しない場合、軽傷または中程度の怪我につながるおそれのある危険な状態を示します。

注意

回避しない場合、器物の破損につながるおそれのある状態を示します。

その他のメッセージレベル

重要

製品を正しく機能させるために不可欠な重要情報を示します。

注

製品を最大限に活用するために役立つ有用な情報を示します。

安全手順

▲警告

本製品の設置は、お使いになる地域の法律や規制に準拠して、訓練を受けた専門技術者が行ってください。

注意

- 本製品は、お使いになる地域の法律や規制に準拠して使用してください。
- 本製品を屋外またはそれに準じる環境で使用する場合は、認定済みの屋外用筐体に収納して設置する必要があります。
- 本製品は乾燥した換気のよい環境に保管してください。
- 本製品に衝撃または強い圧力を加えないでください。
- 本製品に振動を加えないでください。
- 材質(木材、金属、シートロック、石材など)に適したネジとプラグを使用して本製品を設置してください。
- 本製品を不安定なポール、ブラケット、表面、または壁に設置しないでください。
- 本製品を振動するポール、ブラケット、表面、または壁に設置しないでください。
- 本製品を設置する際には、適切な工具のみを使用してください。電動工具を使用して過剰な力をかけると、製品が損傷することがあります。

- 化学薬品、腐食剤、噴霧式クリーナーは使用しないでください。
- 清掃には、きれいな水に浸した清潔な布を使用してください。
- 製品の技術仕様に準拠したアクセサリのみを使用してください。これらのアクセサリは、Axisまたはサードパーティから入手できます。Axisは、ご使用の製品と互換性のあるAxis給電ネットワークスイッチの使用を推奨します。
- Axisが提供または推奨する交換部品のみを使用してください。
- 製品を自分で修理しないでください。修理については、Axisサポートまたは販売代理店にお問い合わせください。
- 誘導負荷と共に使用する場合は、過渡電圧から保護するために、負荷と並列にダイオードを接続してください。
- 電源は、製品の近くで簡単に手の届く場所にあるコンセントに接続してください。
- 最低0.5 mm²または20 AWGの黄/緑色のアースケーブルを使用してください。

輸送

注意

- 保護包装は保管しておいてください。本製品を輸送する際には、必ず保護包装を元の位置に戻してください。
- 本製品を運搬する際は、製品が損傷しないよう、元の梱包が同等の梱包を使用してください。

Português

Informações sobre segurança

Níveis de perigo

▲PERIGO

Indica uma situação perigosa que, se não evitada, irá resultar em morte ou lesões graves.

▲AVISO

Indica uma situação perigosa que, se não evitada, poderá resultar em morte ou lesões graves.

▲CUIDADO

Indica uma situação perigosa que, se não evitada, poderá resultar em lesões leves ou moderadas.

OBSERVAÇÃO

Indica uma situação perigosa que, se não evitada, poderá resultar em danos à propriedade.

Outros níveis de mensagens

Importante

Indica informações significativas que são essenciais para o produto funcionar corretamente.

Observação

Indica informações úteis que ajudam a obter o máximo do produto.

Instruções de segurança

⚠ AVISO

O produto Axis deve ser instalado por um profissional treinado e de acordo com as leis e regulamentações locais.

OBSERVAÇÃO

- O produto Axis deve ser usado em conformidade com as leis e regulamentações locais.
- Para usar o produto Axis em ambientes externos ou semelhantes, ele deverá ser instalado em uma caixa aprovada para uso externo.
- Armazene o produto Axis em um ambiente seco e ventilado.
- Evite expor o produto Axis a impactos ou pressão elevada.
- Evite expor o produto Axis a vibrações.
- Instale o produto usando parafusos e buchas adequados para o material (por exemplo, madeira, metal, alvenaria, pedra).
- Não instale o produto em suportes, mastros, superfícies ou paredes instáveis.
- Não instale o produto em suportes, mastros, superfícies ou paredes com vibrações.
- Use apenas as ferramentas recomendadas ao instalar o produto Axis. O uso de força excessiva com ferramentas elétricas poderia danificar o produto.
- Não use produtos químicos, agentes cáusticos ou limpadores aerossóis.
- Use um pano limpo úmido para limpar o produto.
- Utilize apenas acessórios que atendam às especificações técnicas do produto.

Esses poderão ser fornecidos pela Axis ou por terceiros. A Axis recomenda usar equipamento de fonte de alimentação Axis compatível com seu produto.

- Utilize apenas peças sobressalentes fornecidas ou recomendadas pela Axis.
- Não tente reparar o produto por conta própria. Entre em contato com o suporte ou seu revendedor Axis para quaisquer questões relacionadas a serviços.
- Quando usada com uma carga indutiva, conecte um diodo em paralelo com a carga para proteger contra transientes de tensão.
- A fonte de alimentação deve ser conectada em uma tomada elétrica instalada próxima ao produto e ser facilmente acessível.
- Use um cabo de aterramento colorido amarelo/verde com pelo menos 0,5 mm² ou 20 AWG.

Transporte

OBSERVAÇÃO

- Guarde a embalagem protetora. Ao transportar o produto Axis, recoloque a embalagem protetora em sua posição original.
- Ao transportar o produto Axis, use a embalagem original ou equivalente para evitar danos ao produto.

РУССКИЙ

Сведения по безопасности Уровни опасности

⚠ ОПАСНО

Опасная ситуация, которая, если ее не устранить, приведет к смерти или опасным травмам.

⚠ ВНИМАНИЕ!

Опасная ситуация, которая, если ее не устранить, может привести к смерти или опасным травмам.

⚠ ОСТОРОЖНО

Опасная ситуация, которая, если ее не устранить, может привести к травмам незначительной или средней тяжести.

ПРИМЕЧАНИЕ

Опасная ситуация, которая, если ее не устранить, может вызвать повреждение имущества.

Прочие уведомления

Важно!

Означает существенную информацию, которая важна для правильной работы изделия.

Примечание.

Означает полезную информацию, которая помогает использовать все возможности изделия.

Правила безопасности

ВНИМАНИЕ!

Монтаж этого устройства Axis должен производиться обученным специалистом в полном соответствии с местными законами и нормативными требованиями.

ПРИМЕЧАНИЕ

- Это изделие Axis следует использовать в соответствии с местными законами и нормативами.
- Для использования устройства Axis на открытом воздухе или в иной среде с аналогичными характеристиками оно должно быть установлено в кожухе, предназначенном для наружной установки.
- Устройство Axis должно храниться в сухом, хорошо проветриваемом помещении.
- Не допускайте ударов или приложения высокого давления к устройству Axis.
- Не подвергайте устройство Axis вибрациям и тряске.
- Смонтируйте устройство с помощью винтов и дюбелей, подходящих для данного материала (дерево, металл, гипсоцементная плита, камень).
- Не монтируйте устройство на неустойчивых столбах, кронштейнах, поверхностях или стенах.
- Не монтируйте устройство на вибрирующих столбах, кронштейнах, поверхностях или стенах.
- При установке устройства Axis используйте только предназначенные для этого инструменты. Приложите умеренных усилий к инструментам

может привести к повреждению устройства.

- Не используйте химикалии, едкие вещества или аэрозольные очистители.
- Для очистки используйте чистую ткань, смоченную чистой водой.
- Используйте только принадлежности, которые соответствуют техническим характеристикам данного устройства. Они могут поставляться компанией Axis или сторонним производителем. Компания Axis рекомендует использовать блоки питания Axis, совместимые с устройством.
- Используйте только запасные части, поставляемые или рекомендованные компанией Axis.
- Не пытайтесь отремонтировать устройство самостоятельно. По вопросам обслуживания обращайтесь в службу поддержки Axis или к своему реселлеру Axis.
- При подключении индуктивной нагрузки, параллельно нагрузке следует включить диод для защиты от переходных напряжений.
- Блок питания следует включать в розетку, которая должна быть легко доступной и располагаться недалеко от изделия.
- Используйте в качестве заземляющего провода желто-зеленый кабель сечением не менее 0,5 мм² или 20 AWG.

Транспортировка

ПРИМЕЧАНИЕ

- Не выбрасывайте защитную упаковку. При транспортировке устройства Axis защитная упаковка должна быть возвращена на прежнее место.
- При транспортировке устройства Axis используйте оригинальную упаковку или ее эквивалент во избежание повреждения изделия.

中文

安全信息 危险等级

▲ 危险

表示如果不避免则会导致死亡或严重伤害的危险情况。

⚠️警告

表示如果不避免则可能导致死亡或严重伤害的危险情况。

⚠️警告

表示如果不避免则可能导致轻微或中度伤害的危险情况。

注意

表示如果不避免则可能导致财产损失的情况。

其他消息等级

重要

表示产品正常工作所必需的重要信息。

注

表示有助于充分利用产品的有用信息。

安全说明

⚠️警告

Axis 产品应由受过培训的专业人员进行安装，并遵守当地法律和法规。

注意

- 使用 Axis 产品时应遵守当地法律和法规。
- 要在室外或类似环境中使用 Axis 产品，应将该产品安装在获得批准的室外防护罩中。
- 在干燥通风的环境中存放 Axis 产品。
- 避免将 Axis 产品暴露在冲击或高压环境下。
- 避免将 Axis 产品暴露在振动环境下。
- 使用适用于该材质（如木质、金属、石膏板、石头）的螺丝和塞子安装产品。
- 请勿将产品安装在不稳固的立杆、支架、表面或墙壁上。
- 请勿将本产品安装在振动的立杆、支架、表面或墙壁上。
- 安装 Axis 产品时，仅使用适用的工具。使用电动工具过度施力可能导致产品损坏。
- 请勿使用化学品、腐蚀剂或气雾剂。
- 使用蘸纯净水的干净布进行清洁。
- 仅使用符合产品技术规格的附件。这些附件可由 Axis 或第三方提供。Axis 推荐使用与产品兼容的 Axis 电源设备。
- 仅使用 Axis 提供或推荐的备件。

- 请勿尝试自行维修产品。有关服务事项，请联系 Axis 支持部门或 Axis 经销商。
- 当与电感负载一起使用，则将整流管与负载并联连接，以防止电压瞬变。
- 电源应插入安装在产品附近的插座上并易于触及。
- 使用一根至少为 0.5 平方毫米或 20 AWG 的黄色/绿色接地电缆。

运输

注意

- 保留防护包装。在运输安讯士产品时，防护性包装应在其原有位置上。
- 安讯士产品运输途中，应使用其原包装或等效包装，以防对产品造成损坏。

한국어

안전 정보 위험 레벨

⚠️위험

피하지 못한 경우 사망이나 심각한 부상이 발생하는 위험한 상황을 나타냅니다.

⚠️경고

피하지 못한 경우 사망이나 심각한 부상이 발생할 수 있는 위험한 상황을 나타냅니다.

⚠️주의

피하지 못한 경우 경미하거나 심하지 않은 부상이 발생할 수 있는 위험한 상황을 나타냅니다.

통지

피하지 못한 경우 재산상 손해가 발생할 수 있는 상황을 나타냅니다.

기타 메시지 레벨

중요 사항

제품이 올바르게 작동하는 데 필수적인 중요 정보를 나타냅니다.

참고

제품을 최대한으로 활용하는 데 도움이 되는 유용한 정보를 나타냅니다.

안전 지침

▲ 경고

Axis 제품은 교육을 받은 전문가가 설치해야 하며, 해당 지역 법률과 규정을 준수하여 사용해야 합니다.

통지

- Axis 제품은 해당 지역 법률 및 규정을 준수하여 사용해야 합니다.
- 실외 또는 실외와 유사한 환경에서 Axis 제품을 사용하려면 승인된 실외 하우징에 설치해야 합니다.
- Axis 제품은 건조하고 환기가 잘 되는 곳에 보관하십시오.
- Axis 제품에 충격이나 강한 압력을 가하지 마십시오.
- Axis 제품에 진동을 가하지 마십시오.
- 재질(예: 나무, 금속, 석고 보드, 돌)에 맞는 나사와 플러그를 사용하여 제품을 설치하십시오.
- 불안정한 풀, 브래킷, 표면 또는 벽면에 제품을 설치하지 마십시오.
- 진동이 있는 풀, 브래킷, 표면 또는 벽면에 제품을 설치하지 마십시오.
- Axis 제품을 설치할 경우 해당 도구만 사용하십시오. 전동 공구로 과도한 힘을 사용하면 제품에 손상을 줄 수 있습니다.
- 화학 물질, 부식제, 에어로졸 세척제를 사용하지 마십시오.
- 깨끗한 물에 적신 깨끗한 천을 사용하여 닦으십시오.
- 제품의 기술적 사양을 준수하는 액세서리만 사용하십시오. 이러한 액세서리는 Axis 또는 제3자가 제공할 수 있습니다. Axis는 귀하의 제품과 호환되는 Axis 전원 장비 사용을 권장합니다.
- Axis가 공급하거나 추천하는 예비 부품만 사용하십시오.
- 제품을 직접 수리하려고 하지 마십시오. 서비스 문제에 대해 Axis 지원 부서 또는 Axis 리셀러에 문의하십시오.
- 유도도 부하와 함께 사용할 경우 전압 부하와 병렬로 연결해야 합니다.
- 제품 가까이에 설치된 소켓 콘센트에 전원 공급 장치를 꽂아야 하며, 쉽게 전압을 접할 수 있어야 합니다.
- 최소 0.5mm² 또는 20AWG의 노란색/녹색 접지 케이블을 사용하십시오.

반

통지

- 보호 패키지를 분리하지 마십시오. Axis 제품을 운반할 때에는 보호 패키지를 제자리에서 교체해야 합니다.
- Axis 제품을 운반할 때는 원래 포장이나 이에 준하는 포장을 사용해 제품이 손상되지 않도록 하십시오.

繁體中文

安全資訊 危險等級

▲ 危險

表示如果不避免，此危險情況會導致死亡或嚴重傷害。

▲ 警告

表示如果不避免，此危險情況可能導致死亡或嚴重傷害。

▲ 小心

表示如果不避免，此危險情況可能導致輕度或中度傷害。

注意

表示如果不避免，此情況可能導致財產損壞。

安全指示

▲ 警告

應由受過訓練的專業人員，以符合當地法規的方式安裝 Axis 產品。

注意

- 使用 Axis 產品時，應符合當地法律及法規。
- 當在室外或類似環境中使用 Axis 產品時，應將產品安裝在經過認證的室外機殼中。
- 請將 Axis 產品存放在乾燥且通風良好的環境中。
- 避免讓 Axis 產品受到衝擊或重壓。
- 避免讓 Axis 產品受到震動。
- 使用適用於材質的螺絲和插塞(如木頭、金屬、石片、石材)安裝產品。
- 請勿將產品安裝在不穩定的圓柱、支架、表面或牆壁上。
- 請勿將產品安裝在易受震動的圓柱、支架、表面或牆壁上。

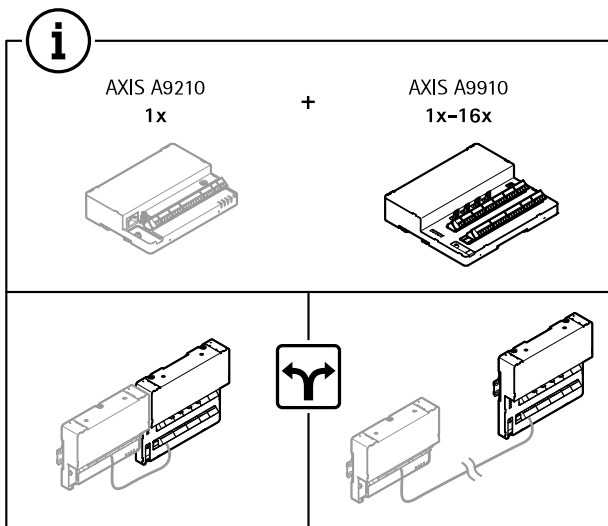
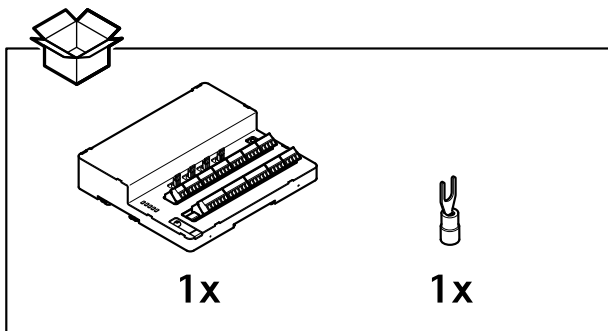
- 安裝 Axis 產品時，僅可使用適合的工具。使用電動工具時，過度施力可能會造成產品損壞。
- 請勿使用化學品、鹼劑或噴霧清潔劑。
- 使用以純水沾濕的乾淨布料進行清潔。
- 所有配件必須符合產品的技術規格。可由 Axis 或第三方供應商提供。Axis 建議使用相容於產品的 Axis 電源設備。
- 只使用 Axis 提供或推薦的備用零件。
- 請勿嘗試自行修理產品。請向 Axis 技術支援人員或 Axis 經銷商洽詢維修事宜。
- 如果用於電感性負載，請將一個二極體與負載並聯，以防止瞬態電壓。
- 電源供應器應該連接到安裝在產品附近的插座，方便拆裝。
- 使用至少 0.5 mm² 或 20 AWG 的黃色/綠色接地線。

運輸

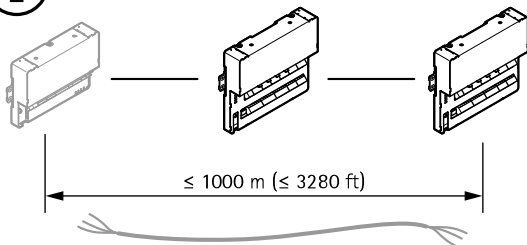
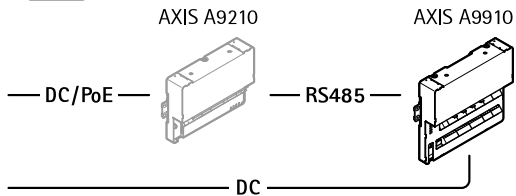
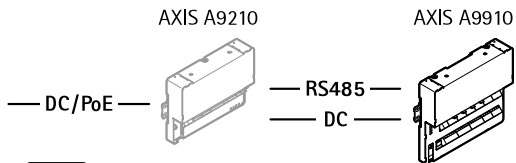
注意

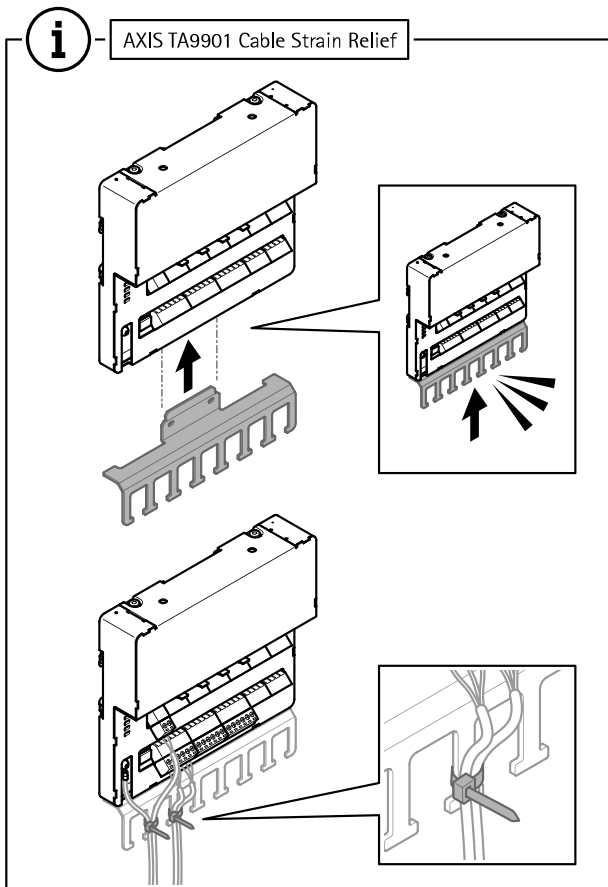
- 請保留有保護效果的包裝。當運送安訊士產品時，應將有保護效果的原包裝材料包覆在原來的位置。
- 當運送安訊士產品時，請使用原包裝或有相同保護效果的包裝，以防止產品損壞。

AXIS A9910 I/O Relay Expansion Module

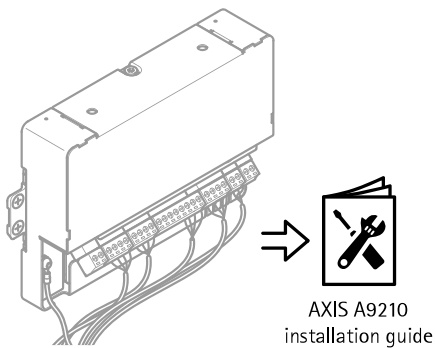


AXIS A9910 I/O Relay Expansion Module

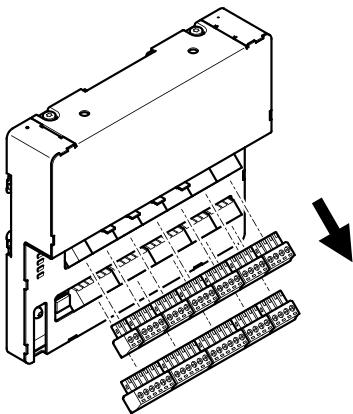




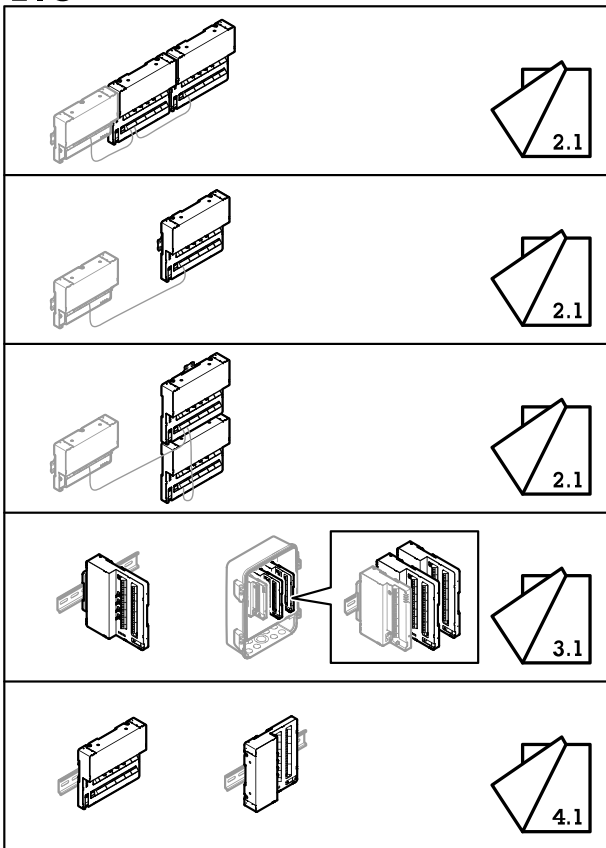
1.1



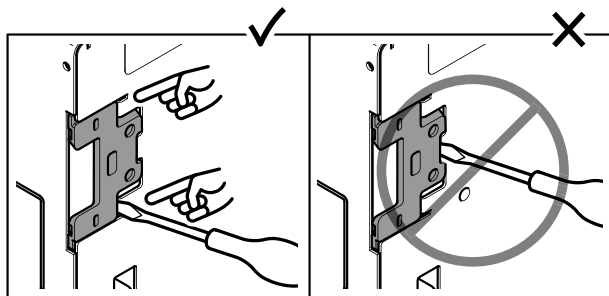
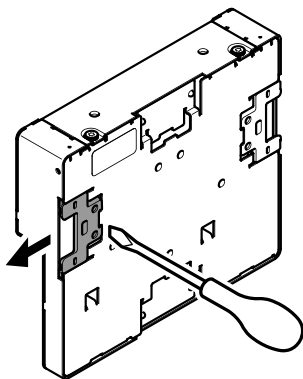
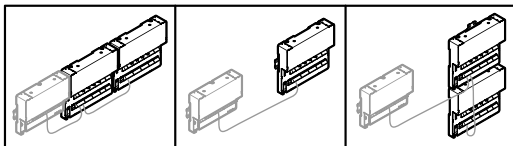
1.2



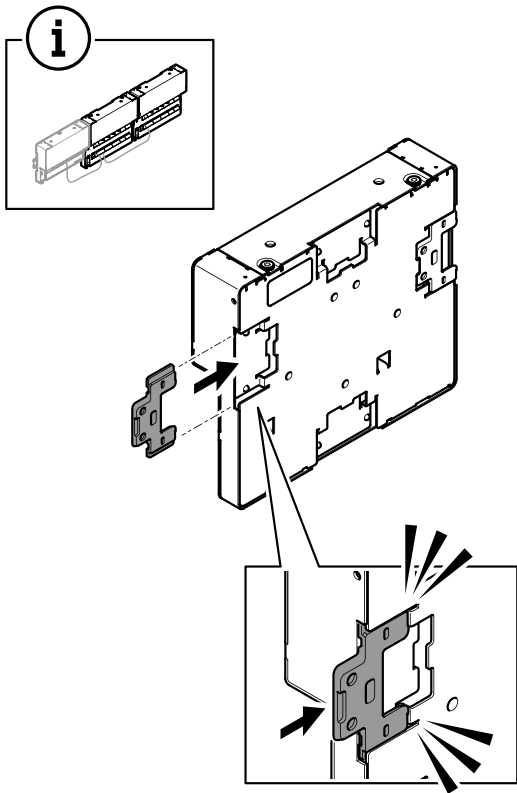
1.3

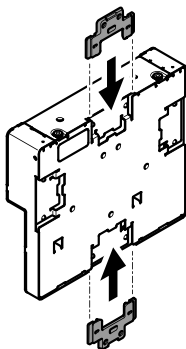
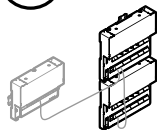
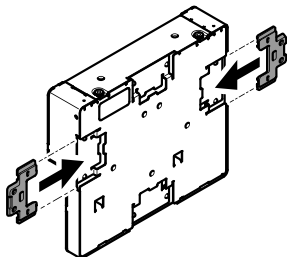
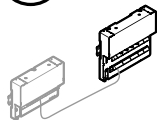


2.1

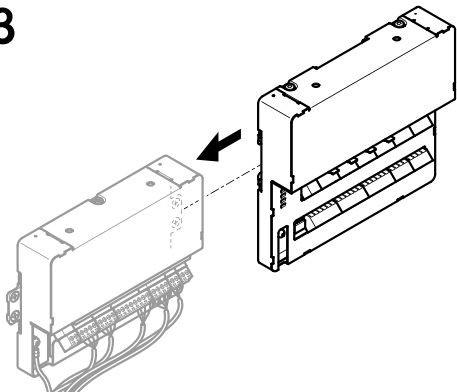


2.2

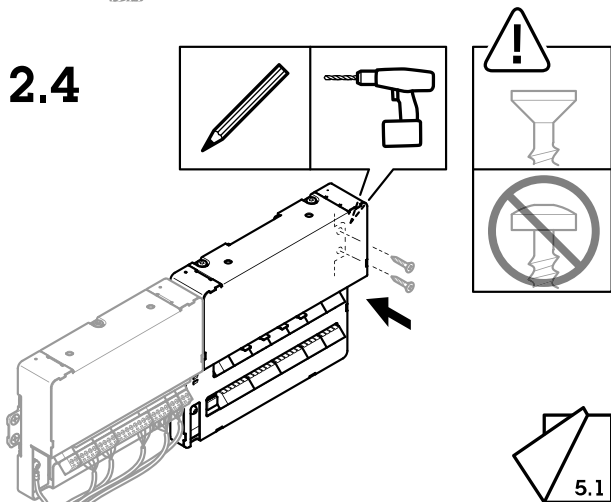




2.3

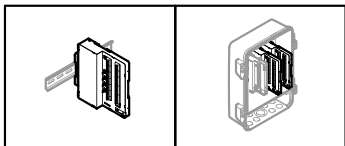


2.4



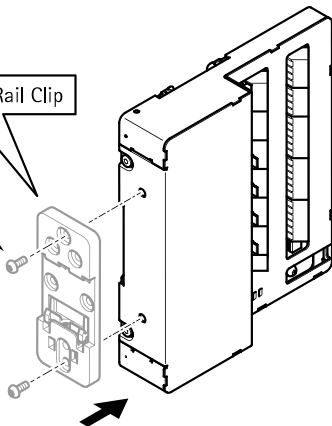
AXIS A9910 I/O Relay Expansion Module

3.1

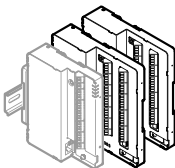
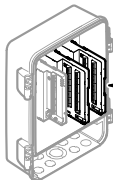


AXIS TA1901 DIN Rail Clip

2x
1.5 N m
(1.1 lb ft)

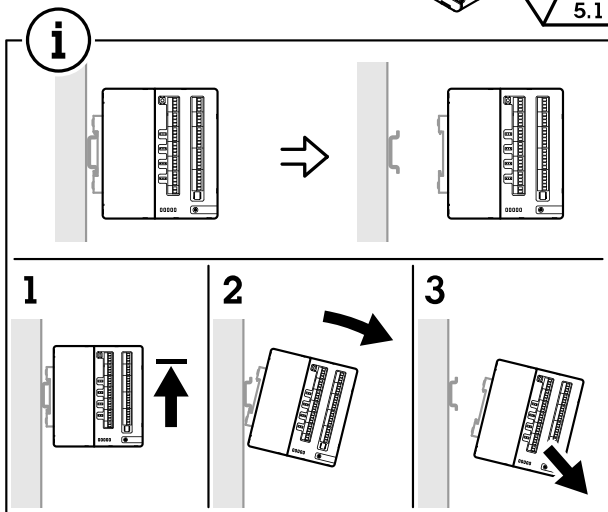
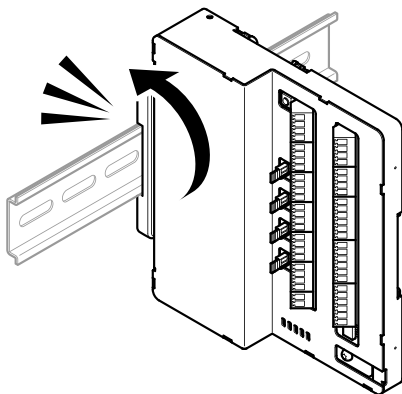


AXIS TQ1808-VE Surveillance Cabinet

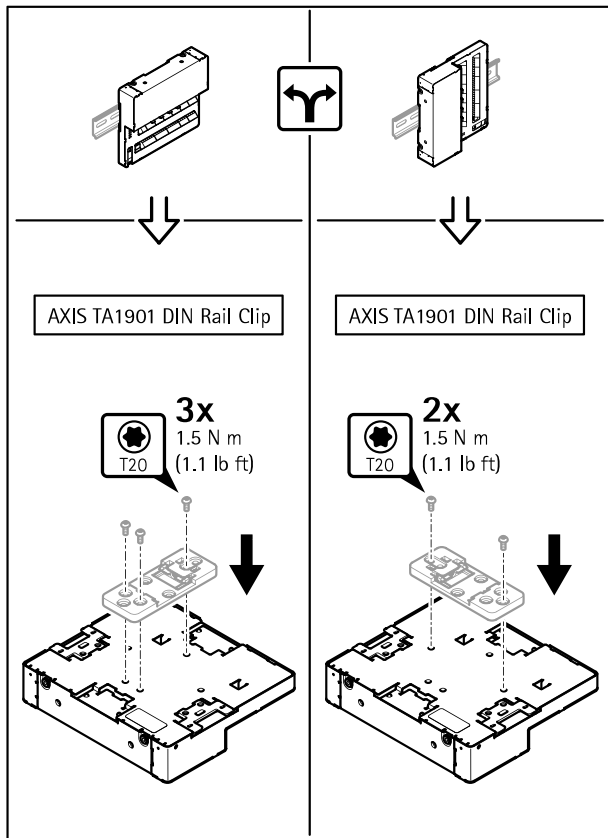


1x AXIS A9210
+
2x AXIS A9910

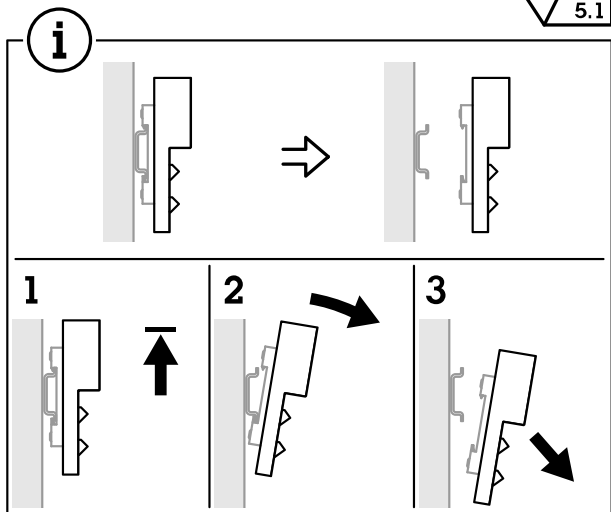
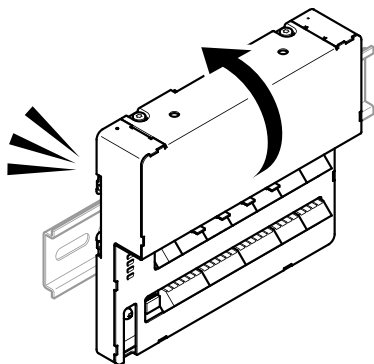
3.2



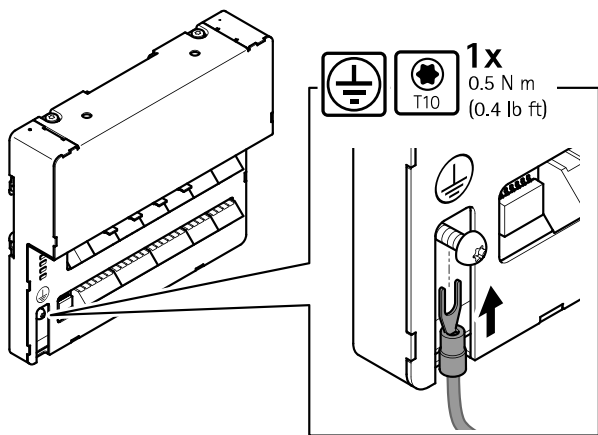
4.1



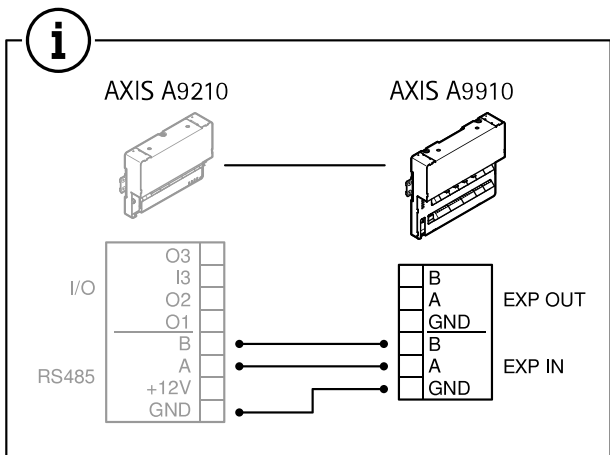
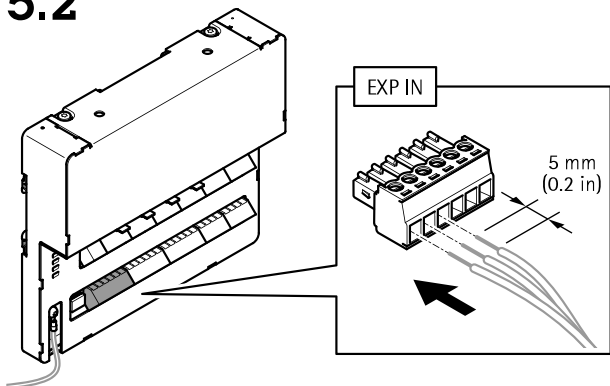
4.2



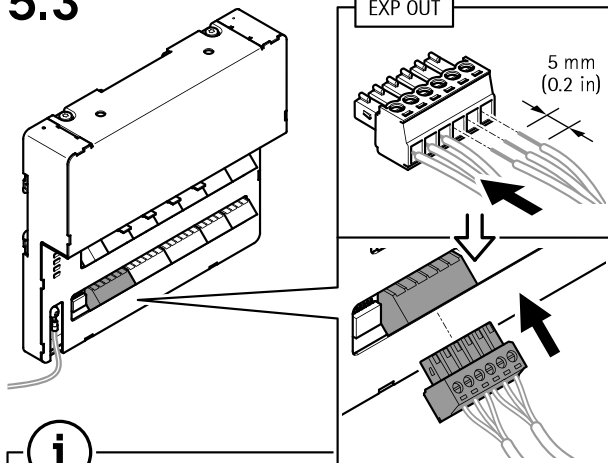
5.1



5.2

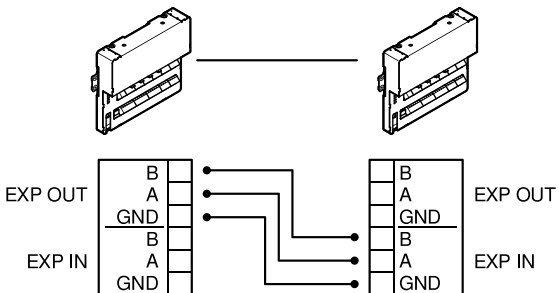


5.3

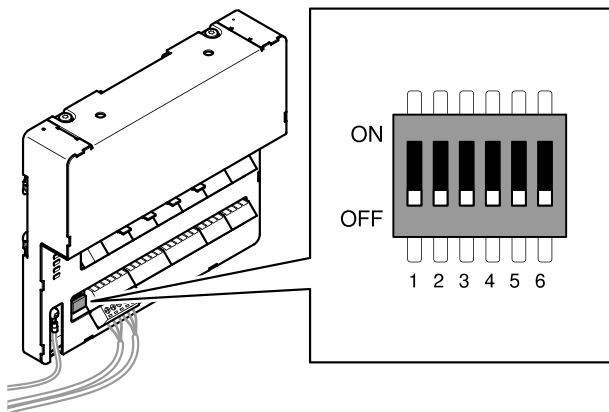


AXIS A9910

AXIS A9910



5.4



AXIS A9910 I/O Relay Expansion Module

EN

1	2	3	4	5	6	Description
OFF	OFF	OFF	OFF			Address 0
ON	OFF	OFF	OFF			Address 1
OFF	ON	OFF	OFF			Address 2
ON	ON	OFF	OFF			Address 3
OFF	OFF	ON	OFF			Address 4
ON	OFF	ON	OFF			Address 5
OFF	ON	ON	OFF			Address 6
ON	ON	ON	OFF			Address 7
OFF	OFF	OFF	ON			Address 8
ON	OFF	OFF	ON			Address 9
OFF	ON	OFF	ON			Address 10
ON	ON	OFF	ON			Address 11
OFF	OFF	ON	ON			Address 12
ON	OFF	ON	ON			Address 13
OFF	ON	ON	ON			Address 14
ON	ON	ON	ON			Address 15

AXIS A9910 I/O Relay Expansion Module

				OFF		120 Ohm RS485 termination disabled
				ON		120 Ohm RS485 termination enabled
					ON/ OFF	Not used

FR

1	2	3	4	5	6	Description
Dés-activé	Dés-activé	Dés-activé	Dés-activé			Adresse 0
Activé	Dés-activé	Dés-activé	Dés-activé			Adresse 1
Dés-activé	Activé	Dés-activé	Dés-activé			Adresse 2
Activé	Activé	Dés-activé	Dés-activé			Adresse 3
Dés-activé	Dés-activé	Activé	Dés-activé			Adresse 4
Activé	Dés-activé	Activé	Dés-activé			Adresse 5

AXIS A9910 I/O Relay Expansion Module

Dés-activé	Activé	Activé	Dés-activé			Adresse 6
Activé	Activé	Activé	Dés-activé			Adresse 7
Dés-activé	Dés-activé	Dés-activé	Activé			Adresse 8
Activé	Dés-activé	Dés-activé	Activé			Adresse 9
Dés-activé	Activé	Dés-activé	Activé			Adresse 10
Activé	Activé	Dés-activé	Activé			Adresse 11
Dés-activé	Dés-activé	Activé	Activé			Adresse 12
Activé	Dés-activé	Activé	Activé			Adresse 13
Dés-activé	Activé	Activé	Activé			Adresse 14
Activé	Activé	Activé	Activé			Adresse 15
				Dés-activé		Terminaison RS485 120 Ohm désactivée

AXIS A9910 I/O Relay Expansion Module

				Activé		Terminaison RS485 120 Ohm activée
					Ac- tivé- /Dés- activé	Non utilisé

DE

1	2	3	4	5	6	Beschreibung
AUS	AUS	AUS	AUS			Adresse 0
EIN	AUS	AUS	AUS			Adresse 1
AUS	EIN	AUS	AUS			Adresse 2
EIN	EIN	AUS	AUS			Adresse 3
AUS	AUS	EIN	AUS			Adresse 4
EIN	AUS	EIN	AUS			Adresse 5
AUS	EIN	EIN	AUS			Adresse 6
EIN	EIN	EIN	AUS			Adresse 7
AUS	AUS	AUS	EIN			Adresse 8
EIN	AUS	AUS	EIN			Adresse 9
AUS	EIN	AUS	EIN			Adresse 10
EIN	EIN	AUS	EIN			Adresse 11

AXIS A9910 I/O Relay Expansion Module

AUS	AUS	EIN	EIN			Adresse 12
EIN	AUS	EIN	EIN			Adresse 13
AUS	EIN	EIN	EIN			Adresse 14
EIN	EIN	EIN	EIN			Adresse 15
				AUS		120 Ohm RS485- Terminierung deaktiviert
				EIN		120 Ohm RS485- Terminierung aktiviert
					EIN- /AUS	Nicht belegt

IT

1	2	3	4	5	6	Descrizione
OFF	OFF	OFF	OFF			Indirizzo 0
ON	OFF	OFF	OFF			Indirizzo 1
OFF	ON	OFF	OFF			Indirizzo 2
ON	ON	OFF	OFF			Indirizzo 3
OFF	OFF	ON	OFF			Indirizzo 4
ON	OFF	ON	OFF			Indirizzo 5

AXIS A9910 I/O Relay Expansion Module

OFF	ON	ON	OFF			Indirizzo 6
ON	ON	ON	OFF			Indirizzo 7
OFF	OFF	OFF	ON			Indirizzo 8
ON	OFF	OFF	ON			Indirizzo 9
OFF	ON	OFF	ON			Indirizzo 10
ON	ON	OFF	ON			Indirizzo 11
OFF	OFF	ON	ON			Indirizzo 12
ON	OFF	ON	ON			Indirizzo 13
OFF	ON	ON	ON			Indirizzo 14
ON	ON	ON	ON			Indirizzo 15
				OFF		Terminazione RS485 da 120 ohm disabilitata
				ON		Terminazione RS485 da 120 ohm abilitata
					ON/ OFF	Non utilizzato

AXIS A9910 I/O Relay Expansion Module

ES

1	2	3	4	5	6	Descripción
DE-SAC-TI-VADO	DE-SAC-TI-VADO	DE-SAC-TI-VADO	DE-SAC-TI-VADO			Dirección 0
ACTI-VADO	DE-SAC-TI-VADO	DE-SAC-TI-VADO	DE-SAC-TI-VADO			Dirección 1
DE-SAC-TI-VADO	ACTI-VADO	DE-SAC-TI-VADO	DE-SAC-TI-VADO			Dirección 2
ACTI-VADO	ACTI-VADO	DE-SAC-TI-VADO	DE-SAC-TI-VADO			Dirección 3
DE-SAC-TI-VADO	DE-SAC-TI-VADO	ACTI-VADO	DE-SAC-TI-VADO			Dirección 4
ACTI-VADO	DE-SAC-TI-VADO	ACTI-VADO	DE-SAC-TI-VADO			Dirección 5
DE-SAC-TI-VADO	ACTI-VADO	ACTI-VADO	DE-SAC-TI-VADO			Dirección 6

AXIS A9910 I/O Relay Expansion Module

ACTI- VADO	ACTI- VADO	ACTI- VADO	DE- SAC- TI- VADO			Dirección 7
DE- SAC- TI- VADO	DE- SAC- TI- VADO	DE- SAC- TI- VADO	ACTI- VADO			Dirección 8
ACTI- VADO	DE- SAC- TI- VADO	DE- SAC- TI- VADO	ACTI- VADO			Dirección 9
DE- SAC- TI- VADO	ACTI- VADO	DE- SAC- TI- VADO	ACTI- VADO			Dirección 10
ACTI- VADO	ACTI- VADO	DE- SAC- TI- VADO	ACTI- VADO			Dirección 11
DE- SAC- TI- VADO	DE- SAC- TI- VADO	ACTI- VADO	ACTI- VADO			Dirección 12
ACTI- VADO	DE- SAC- TI- VADO	ACTI- VADO	ACTI- VADO			Dirección 13
DE- SAC- TI- VADO	ACTI- VADO	ACTI- VADO	ACTI- VADO			Dirección 14

AXIS A9910 I/O Relay Expansion Module

ACTI-VADO	ACTI-VADO	ACTI-VADO	ACTI-VADO			Dirección 15
				DE-SAC-TI-VADO		Terminación RS485 de 120 ohmios desactivada
				ACTI-VADO		Terminación RS485 de 120 ohmios habilitada
					ON/ OFF	No se utiliza

JA

1	2	3	4	5	6	説明
オフ	オフ	オフ	オフ			アドレス0
オン	オフ	オフ	オフ			アドレス1
オフ	オン	オフ	オフ			アドレス2
オン	オン	オフ	オフ			アドレス3
オフ	オフ	オン	オフ			アドレス4
オン	オフ	オン	オフ			アドレス5
オフ	オン	オン	オフ			アドレス6
オン	オン	オン	オフ			アドレス7

AXIS A9910 I/O Relay Expansion Module

オフ	オフ	オフ	オン			アドレス8
オン	オフ	オフ	オン			アドレス9
オフ	オン	オフ	オン			アドレス10
オン	オン	オフ	オン			アドレス11
オフ	オフ	オン	オン			アドレス12
オン	オフ	オン	オン			アドレス13
オフ	オン	オン	オン			アドレス14
オン	オン	オン	オン			アドレス15
				オフ		120Ω RS485 終端は無効
				オン		120Ω RS485 終端は有効
					オン/ オフ	使用しませ ん

PT

1	2	3	4	5	6	Descrição
DES- LI- GADO	DES- LI- GADO	DES- LI- GADO	DES- LI- GADO			Endereço 0

AXIS A9910 I/O Relay Expansion Module

LIG-ADO	DES-LI-GADO	DES-LI-GADO	DES-LI-GADO			Endereço 1
DES-LI-GADO	LIG-ADO	DES-LI-GADO	DES-LI-GADO			Endereço 2
LIG-ADO	LIG-ADO	DES-LI-GADO	DES-LI-GADO			Endereço 3
DES-LI-GADO	DES-LI-GADO	LIG-ADO	DES-LI-GADO			Endereço 4
LIG-ADO	DES-LI-GADO	LIG-ADO	DES-LI-GADO			Endereço 5
DES-LI-GADO	LIG-ADO	LIG-ADO	DES-LI-GADO			Endereço 6
LIG-ADO	LIG-ADO	LIG-ADO	DES-LI-GADO			Endereço 7
DES-LI-GADO	DES-LI-GADO	DES-LI-GADO	LIG-ADO			Endereço 8
LIG-ADO	DES-LI-GADO	DES-LI-GADO	LIG-ADO			Endereço 9
DES-LI-GADO	LIG-ADO	DES-LI-GADO	LIG-ADO			Endereço 10

AXIS A9910 I/O Relay Expansion Module

LIG-ADO	LIG-ADO	DES-LI-GADO	LIG-ADO			Endereço 11
DES-LI-GADO	DES-LI-GADO	LIG-ADO	LIG-ADO			Endereço 12
LIG-ADO	DES-LI-GADO	LIG-ADO	LIG-ADO			Endereço 13
DES-LI-GADO	LIG-ADO	LIG-ADO	LIG-ADO			Endereço 14
LIG-ADO	LIG-ADO	LIG-ADO	LIG-ADO			Endereço 15
				DES-LI-GADO		Terminação RS485 de 120 Ohm desativada
				LIG-ADO		Terminação RS485 de 120 Ohm ativada
					LIGA-DO/D-ESLI-GADO	Não usado

AXIS A9910 I/O Relay Expansion Module

RU

1	2	3	4	5	6	Описание
Вы- кл.	Вы- кл.	Вы- кл.	Вы- кл.			Адрес 0
Вкл.	Вы- кл.	Вы- кл.	Вы- кл.			Адрес 1
Вы- кл.	Вкл.	Вы- кл.	Вы- кл.			Адрес 2
Вкл.	Вкл.	Вы- кл.	Вы- кл.			Адрес 3
Вы- кл.	Вы- кл.	Вкл.	Вы- кл.			Адрес 4
Вкл.	Вы- кл.	Вкл.	Вы- кл.			Адрес 5
Вы- кл.	Вкл.	Вкл.	Вы- кл.			Адрес 6
Вкл.	Вкл.	Вкл.	Вы- кл.			Адрес 7
Вы- кл.	Вы- кл.	Вы- кл.	Вкл.			Адрес 8
Вкл.	Вы- кл.	Вы- кл.	Вкл.			Адрес 9
Вы- кл.	Вкл.	Вы- кл.	Вкл.			Адрес 10

AXIS A9910 I/O Relay Expansion Module

ВКЛ.	ВКЛ.	Вы- КЛ.	ВКЛ.			Адрес 11
Вы- КЛ.	Вы- КЛ.	ВКЛ.	ВКЛ.			Адрес 12
ВКЛ.	Вы- КЛ.	ВКЛ.	ВКЛ.			Адрес 13
Вы- КЛ.	ВКЛ.	ВКЛ.	ВКЛ.			Адрес 14
ВКЛ.	ВКЛ.	ВКЛ.	ВКЛ.			Адрес 15
				Вы- КЛ.		Оконечная нагрузка RS485 (120 Ом) отключена
				ВКЛ.		Оконечная нагрузка RS485 (120 Ом) включена
					ВКЛ- /В- ЫКЛ	Не исполь- зуется

ZH

1	2	3	4	5	6	说明
关	关	关	关			地址 0

AXIS A9910 I/O Relay Expansion Module

开	关	关	关			地址 1
关	开	关	关			地址 2
开	开	关	关			地址 3
关	关	开	关			地址 4
开	关	开	关			地址 5
关	开	开	关			地址 6
开	开	开	关			地址 7
关	关	关	开			地址 8
开	关	关	开			地址 9
关	开	关	开			地址 10
开	开	关	开			地址 11
关	关	开	开			地址 12
开	关	开	开			地址 13
关	开	开	开			地址 14
开	开	开	开			地址 15
				关		120 欧姆 RS485 终端 已禁用

AXIS A9910 I/O Relay Expansion Module

				开		120 欧姆 RS485 终端 已启用
					打开/ 关闭	未用

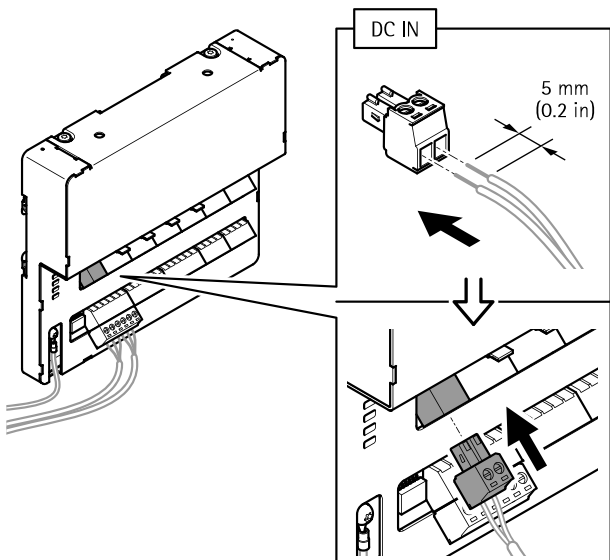
KO

1	2	3	4	5	6	설명
끄기	끄기	끄기	끄기			주소 0
켜기	끄기	끄기	끄기			주소 1
끄기	켜기	끄기	끄기			주소 2
켜기	켜기	끄기	끄기			주소 3
끄기	끄기	켜기	끄기			주소 4
켜기	끄기	켜기	끄기			주소 5
끄기	켜기	켜기	끄기			주소 6
켜기	켜기	켜기	끄기			주소 7
끄기	끄기	끄기	켜기			주소 8
켜기	끄기	끄기	켜기			주소 9
끄기	켜기	끄기	켜기			주소 10
켜기	켜기	끄기	켜기			주소 11

AXIS A9910 I/O Relay Expansion Module

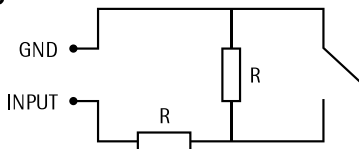
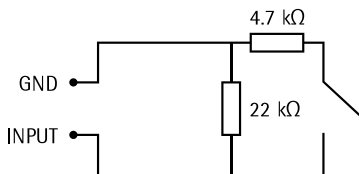
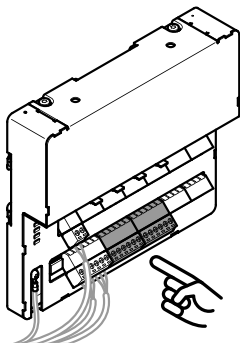
끄기	끄기	켜기	켜기			주소 12
켜기	끄기	켜기	켜기			주소 13
끄기	켜기	켜기	켜기			주소 14
켜기	켜기	켜기	켜기			주소 15
				끄기		120 Ohm RS485 터미네이션 비활성화됨
				켜기		120Ω RS485 터미네이션 활성화됨
					켜기/ 끄기	사용하지 않음

5.5

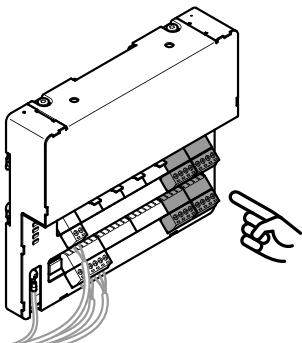


AXIS A9910 I/O Relay Expansion Module

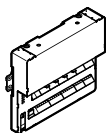
i



$R=1.0\text{ k}\Omega / 2.2\text{ k}\Omega / 4.7\text{ k}\Omega / 10\text{ k}\Omega$



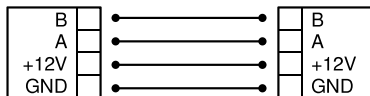
AXIS A9910



RS485 Modbus



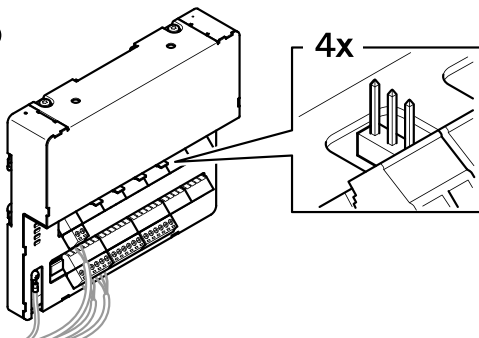
RS485 1-4

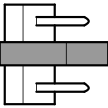


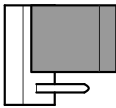

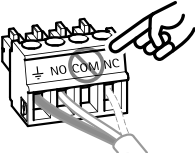
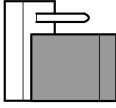

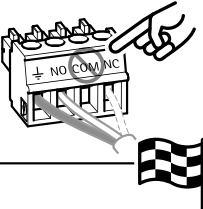


≤ 1000 m (≤ 3280 ft)



5.6



<p>+12V COM +24V</p> 		
<p>+12V COM +24V</p> 	 <p>12 V DC</p>	
<p>+12V COM +24V</p> 	 <p>24 V DC</p>	

Installation guide

AXIS A9910 I/O Relay Expansion Module

© 2023 - 2024 Axis Communications AB

Ver. M5.1

Date: June 2024

Part no. 2920267