

AXIS C1310-E Mk II Network Horn Speaker

Outdoor speaker for clear long-range speech

AXIS C1310-E Mk II Network Horn Speaker is perfect for outdoor environments in most climates. It allows users to remotely prevent unwanted activities, to deliver instructions during an emergency or to make general voice messages. Built-in memory supports pre-recorded messages, or security personal can respond to notifications with live speak. Open standards support easy integration with network video, access control, analytics, and VoIP (supporting SIP). Digital signal processing (DSP) ensures clear sound. The built-in microphone enables remote health testing and 2-way communication. Furthermore, the embedded audio management software supports user, content, zone, and scheduling management.

- > **All-in-one speaker system**
- > **Connects to standard network**
- > **Simple installation with PoE**
- > **Remote health testing**
- > **Scalable and easy to integrate**



AXIS C1310-E Mk II Network Horn Speaker

Audio hardware

Enclosure	Re-entrant horn loudspeaker with compression driver
Max sound pressure level	>121 dB
Frequency response	280 Hz - 12.5 kHz
Coverage pattern	70° horizontal by 100° vertical (at 2 kHz)
Audio input/output	Built-in microphone (can be disabled mechanically) Built-in speaker
Built-in microphone specification	50 Hz - 12 kHz
Amplifier description	Built-in 7 W Class D amplifier
Digital signal processing	Built-in and pre-configured

Audio management

AXIS Audio Manager Edge	Built in: <ul style="list-style-type: none"> – Zone management allowing you to divide up to 200 speakers into 20 zones. – Content management for music and live/pre-recorded announcements. – Scheduling to decide when and where to play content. – Content prioritization to ensure urgent messages interrupt the schedule. – Health monitoring for remote discovery of system errors. – User management to control who has access to what features. For more details, see the datasheet on axis.com/products/axis-audio-manager-edge/support
AXIS Audio Manager Pro	For larger and more advanced systems. Sold separately. For specifications, see the datasheet on axis.com/products/axis-audio-manager-pro/support
AXIS Audio Manager Center	AXIS Audio Manager Center is a cloud service for remote access and management of multi-site systems. For specifications, see the datasheet on axis.com/products/axis-audio-manager-center/support

Audio software

Audio streaming	One-way/two-way with optional half-duplex echo cancellation. Mono.
Audio encoding	AAC LC 8/16/32/48 kHz, G.711 PCM 8 kHz, G.726 ADPCM 8 kHz, Axis μ -law 16 kHz, WAV, MP3 in mono/stereo from 64 kbps to 320 kbps. Constant and variable bit rate. Sampling rate from 8 kHz up to 48 kHz.

System integration

Application Programming Interface	Open API for software integration, including VAPIX®, One-click cloud connection, AXIS Camera Application Platform (ACAP).
Video management systems	Compatible with AXIS Camera Station Edge, AXIS Camera Station Pro, AXIS Camera Station 5, and video management software from Axis' partners available at axis.com/vms .
Mass notification	Singlewire InformaCast®, Intrado Revolution, Lynx, Alertus
Unified communication	Verified compatibility: SIP clients: 2N, Yealink, Cisco, Linphone, Grandstream PBX/SIP servers: Cisco Call Manager, Cisco BroadWorks, Avaya, Asterix, Grandstream Cloud service providers: Webex, Zoom
SIP	Supported SIP features: Secondary SIP server, IPv6, SRTP, SIPS, SIP TLS, DTMF (RFC2976 and RFC2833), NAT (ICE, STUN, TURN) RFC 3261: INVITE, CANCEL, BYE, REGISTER, OPTIONS, INFO DTMF (RFC 4733/RFC 2833)
Event conditions	Audio: audio clip playing, speaker test result Call: state, state change Device status: IP address blocked/removed, live stream active, network lost, new IP address, system ready Edge storage: recording ongoing, storage disruption, storage health issues detected I/O: digital input, manual trigger, virtual input MQTT: subscribe

Scheduled and recurring: schedule

Event actions	Audio: run automatic speaker test Audio clips: play, stop I/O: toggle I/O Light and siren: run, stop MQTT: publish Notification: HTTP, HTTPS, TCP and email Recordings: record audio SNMP trap messages: send message Status LED: flash
Built-in installation aids	Test tone verification and identification
Functional monitoring	Auto Speaker Test (verification via built-in microphone)

Approvals

Product markings	CSA, UL/cUL, UKCA, CE, KC, EAC, VCCI, RCM, BSMI
Supply chain	TAA compliant
EMC	EN 55035, EN 55032 Class B, EN 50121-4, EN 61000-6-1, EN 61000-6-2 Australia/New Zealand: RCM AS/NZS CISPR 32 Class B Canada: ICES-3(B)/NMB-3(B) Japan: VCCI Class B Korea: KS C 9835, KS C 9832 Class B USA: FCC Part 15 Subpart B Class B Railway: IEC 62236-4
Safety	CAN/CSA C22.2 No. 62368-1 ed. 3, IEC/EN/UL 62368-1 ed. 3
Environment	IEC 60068-2-1, IEC 60068-2-2, IEC 60068-2-6, IEC 60068-2-14, IEC 60068-2-27, IEC 60068-2-78, IEC/EN 60529 IP66, NEMA 250 Type 4X, MIL-STD-810G 509.5, MIL-STD-810H 509.7
Cybersecurity	ETSI EN 303 645

Network

Network protocols	IPv4/v6 ^a , HTTP, HTTPS, SSL/TLS, QoS Layer 3 DiffServ, FTP, SFTP, CIFS/SMB, SMTP, Bonjour, UPnP™, SNMP v1/v2c/v3 (MIB-II), DNS, DynDNS, NTP, RTSP, RTP, TCP, UDP, IGMPv1/v2/v3, RTCP, ICMP, DHCP, ARP, SOCKS, SSH, NTCIP, SIP
--------------------------	---

Cybersecurity

Edge security	Software: Signed OS, brute force delay protection, digest authentication, password protection Hardware: Axis Edge Vault cybersecurity platform Secure element (CC EAL 6+), Axis device ID, secure keystore, secure boot
Network security	IEEE 802.1X (EAP-TLS), IEEE 802.1AE (MACsec PSK/EAP-TLS), IEEE 802.1AR, HTTPS/HSTS, TLS v1.2/v1.3, Network Time Security (NTS), X.509 Certificate PKI, host-based firewall
Documentation	<i>AXIS OS Hardening Guide</i> <i>Axis Vulnerability Management Policy</i> <i>Axis Security Development Model</i> AXIS OS Software Bill of Material (SBOM) To download documents, go to axis.com/support/cybersecurity/resources To read more about Axis cybersecurity support, go to axis.com/cybersecurity

System on chip (SoC)

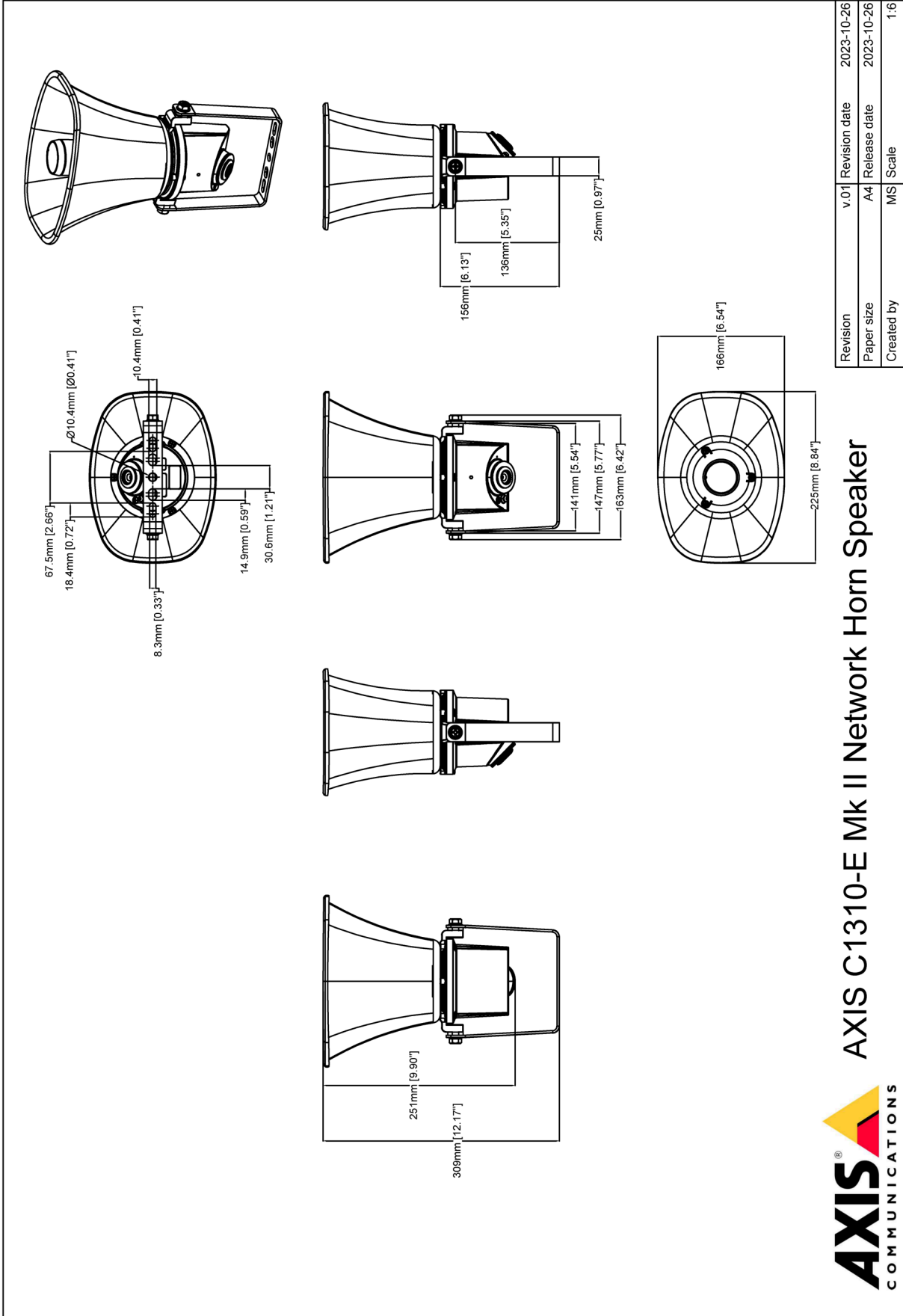
Model	NXP i.MX 8M Nano
Memory	1024 MB RAM, 1024 MB Flash
General	
Casing	IP66- and NEMA 4X-rated Aluminum back can and stainless steel bracket Color: white RAL 9010
Power	Power over Ethernet (PoE) IEEE 802.3af/802.3at Type 1 Class 3 Typical 2 W, max 12.95 W
Connectors	Network: RJ45 10BASE-T/100BASE-TX PoE I/O: 4-pin 2.5 mm terminal block for 2x supervised configurable I/Os
LED indicators	Status LED, front-facing LED
Reliability	Designed for 24/7 operation.

Operating conditions	Temperature: -40 °C to 60 °C (-40 °F to 140 °F) Humidity: 10-100% RH (condensing)
Storage conditions	Temperature: -40 °C to 65 °C (-40 °F to 149 °F) Humidity: 5-95% RH (non-condensing)
Dimensions	For the overall product dimensions, see the dimension drawing in this datasheet.
Weight	1.3 kg (2.9 lb.)
Box content	Horn speaker, installation guide, terminal block connector, connector guard, cable gasket, ring terminal, owner authentication key
Optional accessories	AXIS T91B47 Pole Mount, AXIS T91F67 Pole Mount, Cable Gland M20x1.5, RJ45, Cable Gland A M20, AXIS Power over Ethernet Midspans, T94R01B Corner Bracket, T94P01B Corner Bracket, T94S01P Conduit Back Box For more accessories, go to axis.com/products/axis-c1310-e-mk-ii#accessories
Languages	English, German, French, Spanish, Italian, Russian, Simplified Chinese, Japanese, Korean, Portuguese, Polish, Traditional Chinese, Dutch, Czech, Swedish, Finnish, Turkish, Thai, Vietnamese

Warranty	5-year warranty, see axis.com/warranty
Part numbers	Available at axis.com/products/axis-c1310-e-mk-ii#part-numbers
Sustainability	
Substance control	PVC free in accordance with JEDEC/ECA Standard JS709 RoHS in accordance with EU RoHS Directive 2011/65/EU/ and EN 63000:2018 REACH in accordance with (EC) No 1907/2006. For SCIP UUID, see echa.europa.eu
Materials	Screened for conflict minerals in accordance with OECD guidelines To read more about sustainability at Axis, go to axis.com/about-axis/sustainability
Environmental responsibility	axis.com/environmental-responsibility Axis Communications is a signatory of the UN Global Compact, read more at unglobalcompact.org

- a. *Audio synchronization with IPv4 only.*

Dimension drawing



© 2023 Axis Communications



AXIS C1310-E Mk II Network Horn Speaker

www.axis.com

Highlighted capabilities

Axis Edge Vault

Axis Edge Vault is the hardware-based cybersecurity platform that safeguards the Axis device. It forms the foundation that all secure operations depend on and offer features to protect the device's identity, safeguard its integrity and protect sensitive information from unauthorized access. For instance, **secure boot** ensures that a device can boot only with **signed OS**, which prevents physical supply chain tampering. With signed OS, the device is also able to validate new device software before accepting to install it. And the **secure keystore** is the critical building-block for protect-

ing cryptographic information used for secure communication (IEEE 802.1X, HTTPS, Axis device ID, access control keys etc.) against malicious extraction in the event of a security breach. The secure keystore and secure connections are provided through a Common Criteria or FIPS 140 certified hardware-based cryptographic computing module.

To read more about Axis Edge Vault, go to axis.com/solutions/edge-vault.

For more information, see axis.com/glossary