

## AXIS D2210-VE Radar

### 60 GHz radar for area and traffic monitoring 24/7

This network-based device uses advanced radar technology to accurately detect, classify, and track humans and vehicles in various weather and light conditions. With the road monitoring profile enabled, it can monitor speeds up to 200 km/h (125 mph). Plus, the integrated dynamic LED strip can be used to deter, warn or notify. Or it can be switched off for more discrete monitoring. Furthermore, PoE out lets you power an additional device without an extra cable drop. For instance, you can add AXIS D2210-VE to an existing camera installation. Or connect a horn speaker to remotely address people or play prerecorded messages to deter unwanted activities.

- > 95° coverage to detect, classify, and track objects
- > Area and road monitoring profiles available
- > Monitor vehicle speeds up to 200 km/h (125 mph)
- > Easily connect with PoE out and edge-to-edge
- > Compact design with integrated LED strip



# AXIS D2210-VE Radar

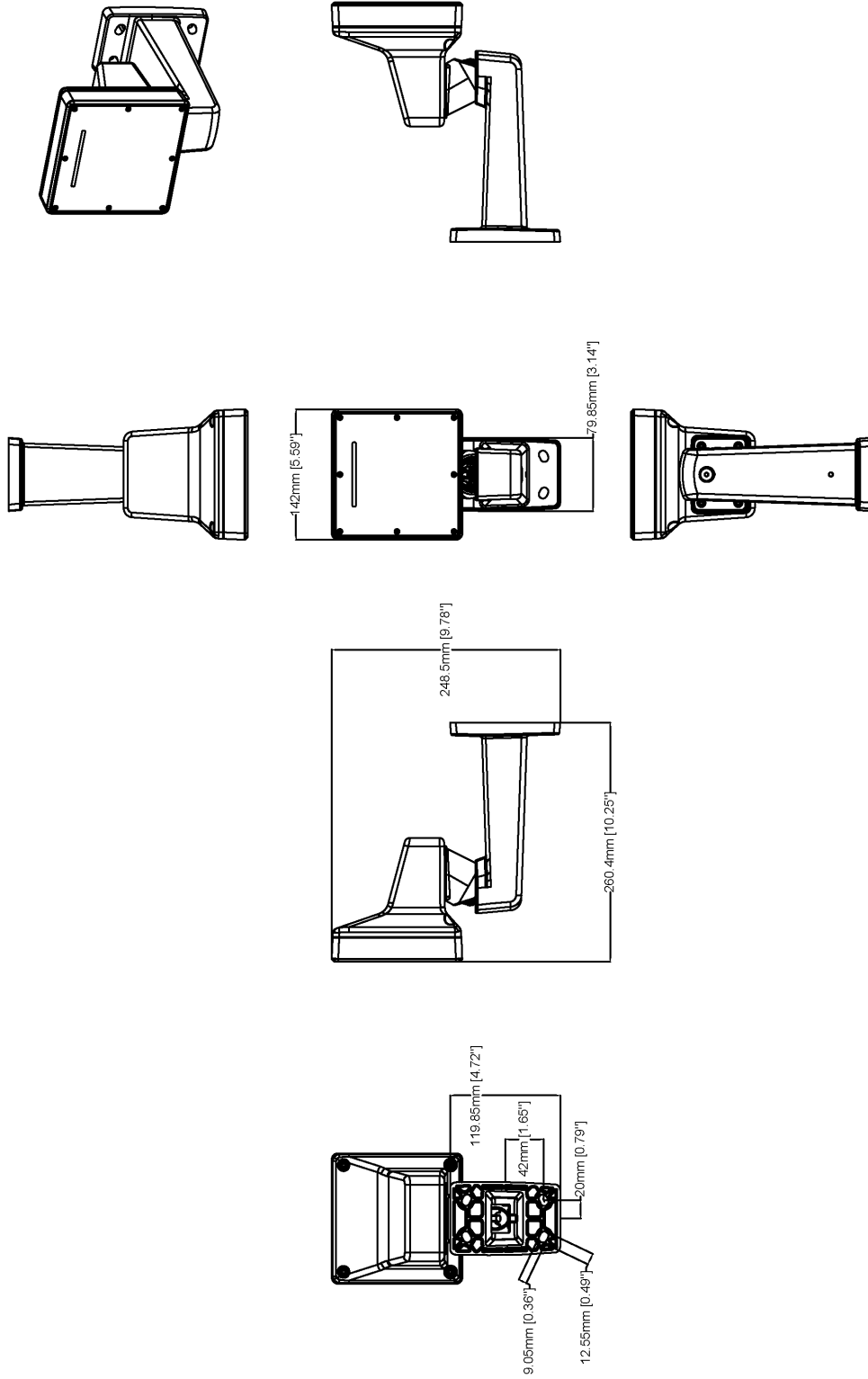
<b>Radar</b>		<b>Network</b>	
<b>Profiles</b>	Area monitoring Road monitoring	<b>Network protocols</b>	IPv4, IPv6 USGv6, ICMPv4/ICMPv6, HTTP, HTTPS <sup>9</sup> , HTTP/2, TLS <sup>9</sup> , QoS Layer 3 DiffServ, FTP, SFTP, CIFS/SMB, SMTP, mDNS (Bonjour), UPnP <sup>®</sup> , SNMP v1/v2c/v3 (MIB-II), DNS/DNSv6, DDNS, NTP, NTS, RTSP, RTP, SRTP/RTSPS, TCP, UDP, IGMPv1/v2/v3, RTCP, ICMP, DHCPv4/v6, ARP, SSH, LLDP, CDP, MQTT v3.1.1, Secure syslog (RFC 3164/5424, UDP/TCP/TLS), Link-Local address (ZeroConf), IEEE 802.1X (EAP-TLS), IEEE 802.1AR
<b>Sensor</b>	FMCW (Frequency Modulated Continuous Wave)	<b>System integration</b>	
<b>Object data</b>	Object type (classes: humans, vehicles, unknown), range, direction, velocity	<b>Application Programming Interface</b>	Open API for software integration, including VAPIX <sup>®</sup> , metadata and AXIS Camera Application Platform (ACAP); specifications at <a href="https://axis.com/developer-community">axis.com/developer-community</a> One-click cloud connection ONVIF <sup>®</sup> Profile G, ONVIF <sup>®</sup> Profile M, ONVIF <sup>®</sup> Profile S, and ONVIF <sup>®</sup> Profile T, specifications at <a href="https://onvif.org">onvif.org</a>
<b>Frequency</b>	Area monitoring profile Channel 1: 61.25–61.48 GHz Area monitoring profile Channel 2: 61.02–61.25 GHz Road monitoring profile Channel 2: 61.25–61.43 GHz Road monitoring profile Channel 2: 61.05–61.23 GHz	<b>Video management systems</b>	Compatible with AXIS Camera Station, video management software from Axis' Application Development Partners available at <a href="https://axis.com/vms">axis.com/vms</a>
<b>RF transmit power</b>	<100 mW (EIRP) License-free. Unharmful radio-waves.	<b>Onscreen controls</b>	Play media clip
<b>Recommended mounting height</b>	3.5–12 m (11–39 ft) <sup>a</sup>	<b>Edge-to-edge</b>	Speaker pairing Camera pairing
<b>Recommended mounting tilt</b>	15° <sup>b</sup>	<b>Event conditions</b>	Application Device status: above/below/within operating temperature, IP address blocked, IP address removed, live stream active, network lost, new IP address, system ready, radar data failure; interference, no data, tampering Edge storage: recording ongoing, storage disruption, storage health issues detected I/O: digital input, digital output, manual trigger, virtual input MQTT: stateless Radar motion detection Scheduled and recurring: schedule
<b>Detection range</b>	Area monitoring profile: 5–60 m (16–200 ft) when detecting a person <sup>c</sup> 5–90 m (16–300 ft) when detecting a vehicle <sup>c</sup> Road monitoring profile: Up to 150 m when detecting a vehicle <sup>d</sup>	<b>Event actions</b>	I/O: toggle I/O once, toggle I/O while the rule is active MQTT: publish Notification: HTTP, HTTPS, TCP and email Overlay text Radar: dynamic LED strip, radar autotracking, radar detection Recordings: SD card and network share SNMP traps: send, send while the rule is active Status LED: flash, flash while the rule is active Upload of images or video clips: FTP, SFTP, HTTP, HTTPS, network share and email
<b>Radial speed</b>	Area monitoring profile: up to 55 km/h (34 mph) Road monitoring profile: up to 200 km/h (125 mph)	<b>Data streaming</b>	Radar metadata with relative position, GPS position, <sup>h</sup> velocity, direction, and object type
<b>Field of detection</b>	Horizontal: 95°	<b>Built-in installation aids</b>	Reference map calibration, sensor for tilt angle, GPS position
<b>Speed accuracy</b>	+/- 2 km/h (1.25 mph)	<b>Analytics</b>	
<b>Distance accuracy</b>	Area monitoring profile: 0.5 m (1.6 ft) Road monitoring profile: 0.8 m (2.6 ft)	<b>Applications</b>	Included AXIS Speed Monitor, AXIS Radar Integration for Microbus Support for AXIS Camera Application Platform enabling installation of third-party applications, see <a href="https://axis.com/acap">axis.com/acap</a>
<b>Angle accuracy</b>	1°	<b>Supporting software</b>	AXIS Radar Autotracking for PTZ (Slew to Cue) For supported cameras, see <a href="https://axis.com/products/axis-radar-autotracking">axis.com/products/axis-radar-autotracking</a>
<b>Spatial differentiation</b>	3 m <sup>e</sup>	<b>Approvals</b>	
<b>Data refresh rate</b>	10 Hz	<b>Product markings</b>	CSA, UL/cUL, CE
<b>Coverage</b>	Area monitoring profile: 2700 m <sup>2</sup> (29000 sq ft) for persons 6100 m <sup>2</sup> (65600 sq ft) for vehicles	<b>Supply chain</b>	TAA compliant
<b>Coexistence zone</b>	Frequency band: 61 GHz Radius: 350 m (1148 ft) Recommended number of radars: up to 8	<b>Wireless</b>	EN 301489-1, EN 301489-3, EN 305550-2, FCC Part 15 Subpart C
<b>Radar controls</b>	Multiple detection zones, line crossing detection with one or two lines, exclude zones with filters for short-lived objects, object speed, object type, configurable trigger duration Radar transmission on/off, grid opacity, zone opacity, color scheme, trail lifetime, detection sensitivity, swaying object filter, small object filter, frequency channel, reference map calibration with options to scale, pan, and zoom map	<b>EMC</b>	EN 55035, EN 55032 Class A, EN 50121-4, EN 61000-3-3, EN 61000-6-1, EN 61000-6-2 Australia/New Zealand: RCM AS/NZS CISPR 32 Class A Canada: ICES-3(A)/NMB-3(A) USA: FCC Part 15 Subpart B Class A
<b>System on chip (SoC)</b>		<b>Safety</b>	CAN/CSA C22.2 No. 62368-1 ed. 3, IEC/EN/UL 62368-1 ed. 3
<b>Model</b>	ARTPEC-8	<b>Environment</b>	IEC 60068-2-1, IEC 60068-2-2, IEC 60068-2-6, IEC 60068-2-14, IEC 60068-2-27, IEC 60068-2-78, IEC/EN 60529 IP66/IP67, IEC/EN 62262 IK10, NEMA 250 Type 4X, NEMA TS 2 (2.2.7-2.2.9)
<b>Memory</b>	1048 MB RAM, 8192 MB Flash		
<b>Compute capabilities</b>	Deep learning processing unit (DLPU)		
<b>Video</b>			
<b>Video compression</b>	H.264 (MPEG-4 Part 10/AVC) Baseline, Main and High Profiles H.265 (MPEG-H Part 2/HEVC) Main Profile Motion JPEG		
<b>Resolution</b>	1920x1080 to 640x360		
<b>Frame rate</b>	Up to 10 fps in all resolutions		
<b>Video streaming</b>	Up to 20 unique and configurable video streams <sup>f</sup> Controllable frame rate and bandwidth VBR/ABR/MBR H.264/H.265 Video streaming indicator		
<b>Image settings</b>	Compression, rotation: 0°, 90°, 180°, 270°, dynamic text and image overlay		
<b>Audio</b>			
<b>Audio features</b>	Speaker pairing		
<b>Audio output</b>	Output via speaker pairing		

<b>Network</b>	NIST SP500-267
<b>Cybersecurity</b>	ETSI EN 303 645
<b>Cybersecurity</b>	
<b>Edge security</b>	<p><b>Software:</b> Signed OS, brute force delay protection, digest authentication and OAuth 2.0 RFC6749 OpenID Authorization Code Flow for centralized ADFS account management, password protection</p> <p><b>Hardware:</b> Axis Edge Vault cybersecurity platform TPM 2.0 (CC EAL4+, FIPS 140-2 Level 2), system-on-chip security (TEE), secure keystore, secure boot, encrypted filesystem (AES-XTS-Plain64 256bit)</p>
<b>Network security</b>	IEEE 802.1X (EAP-TLS, PEAP-MSCHAPv2) <sup>9</sup> , IEEE 802.1AE (MACsec PSK/EAP-TLS), IEEE 802.1AR, HTTPS/HSTS <sup>9</sup> , TLS v1.2/v1.3 <sup>9</sup> , Network Time Security (NTS), X.509 Certificate PKI, host-based firewall
<b>Documentation</b>	<p><i>AXIS OS Hardening Guide</i></p> <p><i>Axis Vulnerability Management Policy</i></p> <p><i>Axis Security Development Model</i></p> <p>AXIS OS Software Bill of Material (SBOM)</p> <p>To download documents, go to <a href="https://axis.com/support/cybersecurity/resources">axis.com/support/cybersecurity/resources</a></p> <p>To read more about Axis cybersecurity support, go to <a href="https://axis.com/cybersecurity">axis.com/cybersecurity</a></p>
<b>General</b>	
<b>Casing</b>	<p>IP66/IP67-, NEMA 4X- and IK10-rated Aluminum casing</p> <p>Color: white NCS S 1002-B</p> <p>For repainting instructions, go to the product's support page. For information about the impact on warranty, go to <a href="https://axis.com/warranty-implication-when-repainting">axis.com/warranty-implication-when-repainting</a>.</p>
<b>Power</b>	<p>Power over Ethernet (PoE) IEEE 802.3at, Type 2 Class 4 Typical 5.88 W, max 8 W</p> <p><b>For PoE output:</b> Power over Ethernet (PoE) IEEE 802.3bt, Type 3 Class 6, max 38 W. The radar provides Power over Ethernet (PoE) IEEE 802.3at, Type 2 Class 4 (30 W) to a second device</p> <p>10–28 V DC, typical 5 W, max 6.44 W</p>
<b>Connectors</b>	<p>Network: Shielded RJ45 10BASE-T/100BASE-TX/1000BASE-T PoE</p> <p>Network: RJ45 1000BASE-T PoE output to power an external PoE device</p> <p>I/O: Terminal block for 1 supervised alarm input and 1 output (12 V DC output, max. load 50 mA)</p> <p>Power: DC input, terminal block</p>
<b>Dynamic LED</b>	<p>Dynamic LED strip with RGB (red, green, blue) LEDs and predefined light patterns</p> <p>Daylight visibility up to 60 m (197 ft)<sup>i</sup></p>
<b>Storage</b>	<p>Support for microSD/microSDHC/microSDXC card</p> <p>Support for SD card encryption (AES-XTS-Plain64 256bit)</p> <p>Recording to network-attached storage (NAS)</p> <p>For SD card and NAS recommendations see <a href="https://axis.com">axis.com</a></p>
<b>Operating conditions</b>	<p>–40 °C to 60 °C (–40 °F to 140 °F)</p> <p>Humidity 10–100% RH (condensing)</p> <p>Wind speed (sustained): 75 m/s (168 mph)<sup>j</sup></p>
<b>Storage conditions</b>	<p>–40 °C to 65 °C (–40 °F to 149 °F)</p> <p>Humidity 5–95% RH (non-condensing)</p>

<b>Dimensions</b>	For the overall product dimensions, see the dimension drawing in this datasheet. Effective Projected Area (EPA): 0.023 m <sup>2</sup> (0.25 ft <sup>2</sup> )
<b>Weight</b>	1250 g (2.8 lb)
<b>Box content</b>	Radar, AXIS TQ1003-E Wall Mount, installation guide, TORX® T20 screw driver, TORX® T30 bit, terminal block connectors, connector guard, cable gaskets, owner authentication key
<b>Optional accessories</b>	<p>AXIS T8415 Wireless Installation Tool</p> <p>AXIS Surveillance Cards</p> <p>For more accessories, go to <a href="https://axis.com/products/axis-d2210-ve-radar#accessories">axis.com/products/axis-d2210-ve-radar#accessories</a></p>
<b>System tools</b>	<p>AXIS Site Designer, AXIS Device Manager, product selector, accessory selector</p> <p>Available at <a href="https://axis.com">axis.com</a></p>
<b>Languages</b>	English, German, French, Spanish, Italian, Russian, Simplified Chinese, Japanese, Korean, Portuguese, Polish, Traditional Chinese
<b>Warranty</b>	5-year warranty, see <a href="https://axis.com/warranty">axis.com/warranty</a>
<b>Part numbers</b>	Available at <a href="https://axis.com/products/axis-d2210-ve-radar#part-numbers">axis.com/products/axis-d2210-ve-radar#part-numbers</a>
<b>Sustainability</b>	
<b>Substance control</b>	<p>PVC free, BFR/CFR free in accordance with JEDEC/ECA Standard JS709</p> <p>RoHS in accordance with EU RoHS Directive 2011/65/EU/ and 2015/863, and standard EN IEC 63000:2018</p> <p>REACH in accordance with (EC) No 1907/2006. For SCIP UUID, see <a href="https://echa.europa.eu">echa.europa.eu</a></p>
<b>Materials</b>	<p>Renewable carbon-based plastic content: 20 % (recycled)</p> <p>Screened for conflict minerals in accordance with OECD guidelines</p> <p>To read more about sustainability at Axis, go to <a href="https://axis.com/about-axis/sustainability">axis.com/about-axis/sustainability</a></p>
<b>Environmental responsibility</b>	<p><a href="https://axis.com/environmental-responsibility">axis.com/environmental-responsibility</a></p> <p>Axis Communications is a signatory of the UN Global Compact, read more at <a href="https://unglobalcompact.org">unglobalcompact.org</a></p>

- The mounting height affects the detection range. See the user manual at [axis.com](https://axis.com) for more information.
- The radar can be tilted 0–30°. When the back part of the chassis is level, the radar is tilted 15°. The mounting tilt affects the detection range. See the user manual at [axis.com](https://axis.com) for more information.
- Measured at 5 m mounting height, with 15° tilt. See the user manual at [axis.com](https://axis.com) for more information.
- Measured at 7 m mounting height, with 15° tilt. The mounting height, tilt and placement of the radar affects the detection range. The recommended placement of the radar is in front of or behind the moving vehicles. See the user manual at [axis.com](https://axis.com) for more information.
- Minimum distance between moving objects.
- We recommend a maximum of 3 unique video streams per channel, for optimized user experience, network bandwidth, and storage utilization. A unique video stream can be served to many video clients in the network using multicast or unicast transport method via built-in stream reuse functionality.
- This product includes software developed by the OpenSSL Project for use in the OpenSSL Toolkit. ([openssl.org](https://openssl.org)), and cryptographic software written by Eric Young ([eyay@cryptsoft.com](mailto:eyay@cryptsoft.com)).
- Enter the radar's GPS position manually to get the objects' GPS position in the data stream.
- In direct sunlight. The range increases in conditions with less light.
- For drag force calculations, use Effective Projected Area (EPA).

# Dimension drawing



Revision	v.01	Revision date	2023-08-25
Paper size	A4	Release date	2023-08-25
Created by	MS	Scale	1:6

© 2023 Axis Communications

**AXIS** COMMUNICATIONS  
**AXIS D2210-VE Radar**

www.axis.com

## Highlighted capabilities

### Radar profiles

**Area monitoring** is a detection profile for radar in surveillance use cases. Best used for objects moving up to 55km/h (34 mph). Detects whether an object is a human, a vehicle, or an unknown object.

**Road monitoring** is a detection profile for radar in traffic use cases. Best used to track vehicles moving at up to 200 km/h (125 mph) in urban zones, closed zones, and on suburban roads. This mode should not be used for the detection of humans or other types of objects. The ability for detection at high speeds is dependent on the Axis radar product in use.

### Dynamic LED strip

Dynamic LED strip is a feature in selected Axis radars. With RGB (red, green, blue) LEDs and predefined light patterns, it can be used to deter, warn or notify.

### Edge-to-edge

Edge-to-edge technology is a way to make IP devices communicate directly with each other. It offers smart pairing functionality between, for example, Axis cameras and Axis audio or radar products.

### Axis Edge Vault

Axis Edge Vault is the hardware-based cybersecurity platform that safeguards the Axis device. It forms the foundation that all secure operations depend on and offer features to protect the device's identity, safeguard its integrity and protect sensitive information from unauthorized access. For instance, **secure boot** ensures that a device can boot only with **signed OS**, which prevents physical supply chain tampering. With signed OS, the device is also able to validate new device software before accepting to install it. And the **secure keystore** is the critical building-block for protecting cryptographic information used for secure communication (IEEE 802.1X, HTTPS, Axis device ID, access control keys etc.) against malicious extraction in the event of a security breach. The secure keystore and secure connections are provided through a Common Criteria or FIPS 140 certified hardware-based cryptographic computing module.

To read more about Axis Edge Vault, go to [axis.com/solutions/edge-vault](https://axis.com/solutions/edge-vault).

For more information, see [axis.com/glossary](https://axis.com/glossary)