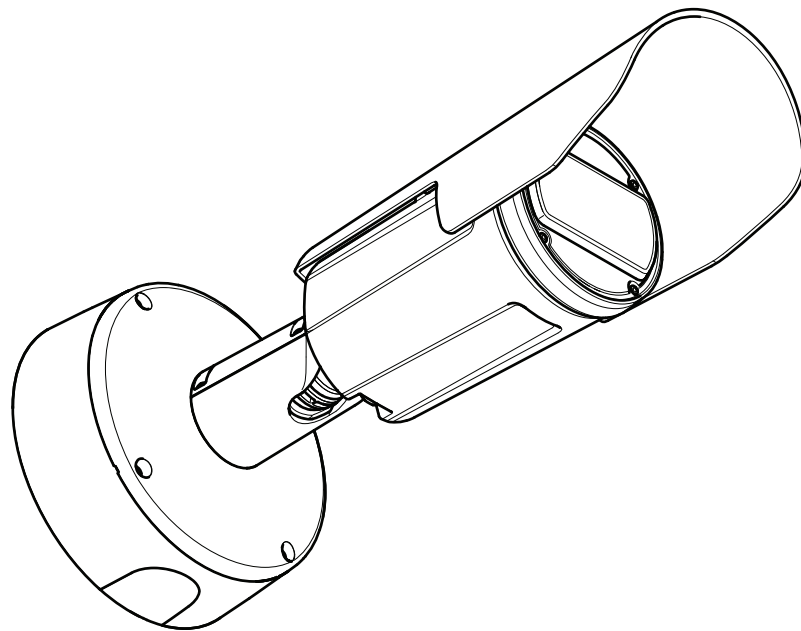


**AXIS Q18-LE series**

**AXIS Q1800-LE License Plate Camera**

**AXIS Q1800-LE-3 License Plate Verifier Kit**



**Repainting instructions**

# AXIS Q18-LE series

## Impact on warranty

---

### Impact on warranty

This product is approved for repaint by Axis, provided that you follow the instructions in this document and at [axis.com/warranty-implication-when-repainting](https://axis.com/warranty-implication-when-repainting).

### Risks with repainting

There are several risks when disassembling or assembling an Axis product. Training of operators and the use of correct tools mediates some of the problems but they can never be fully avoided. Some of the risks include:

**ESD Damage** – Always handle the product in an ESD safe environment. Even if precautions are taken there is always a risk of ESD damage. The damage can remain undetected and cause problems during the lifetime of the equipment.

**Dust contamination** – Opening a camera may expose the lens and sensor to dust or paint. Dust will affect the optical performance. Lenses need to be disassembled in a dust-free environment, preferably a cleanroom.

**Paint overspray** – Masking the different components of the equipment is critical. Failure to mask sensitive areas can cause problems when assembling the equipment. Areas not painted at the factory or which have a different surface treatment than the parts to be painted (threads, ground and electrical contact surfaces) must also be masked to ensure function.

# AXIS Q18-LE series

## Repaint the product

---

### Repaint the product

#### Preparations

- If applicable, disassemble the device according to the instructions in this document.
- Clean all parts that will be repainted thoroughly to remove grease, dust, or oil.
- To ensure reassembly and functionality of the product, mask any openings (for example for screws, LED indicators, or microphones) before you paint.
- To avoid unwanted reflections, mask the inside of the weathershield before you paint.

#### Pretreatment of parts

Depending on the part material and type of coating applied at the factory, pretreatment might be necessary for the new coating to adhere well. Before you apply a new coating, we recommend the following pretreatment:

1. If necessary, roughen up the surface with a light sandpaper or similar to increase adhesion. Alternatively, remove the original coating down to the base material.
2. Clean the parts properly to remove oil, grease, and dust.
3. If necessary, apply a primer layer suitable for the specific material, to increase adhesion to the parts. For metal parts on outdoor products, we recommend a primer to improve corrosion resistance.

We recommend pretreatment of parts that are:

- powder-coated
- wet-painted
- anodised
- chromated
- stainless steel
- other metal
- plastic

The materials used in the product are powder coated aluminium and plastic with VDI21 structure.

#### Disassembly

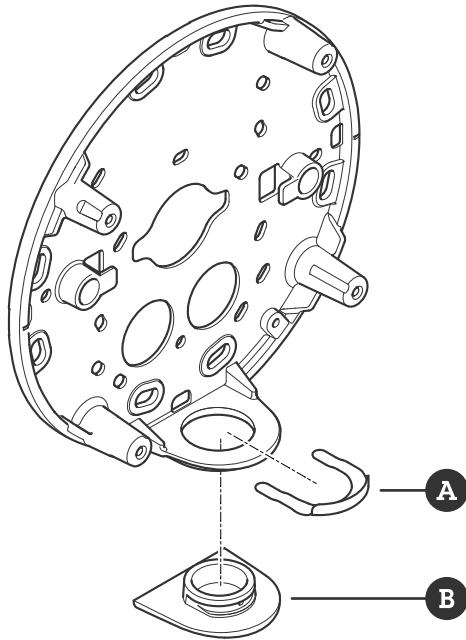
##### Note

Be careful not to lose screws and small parts.

# AXIS Q18-LE series

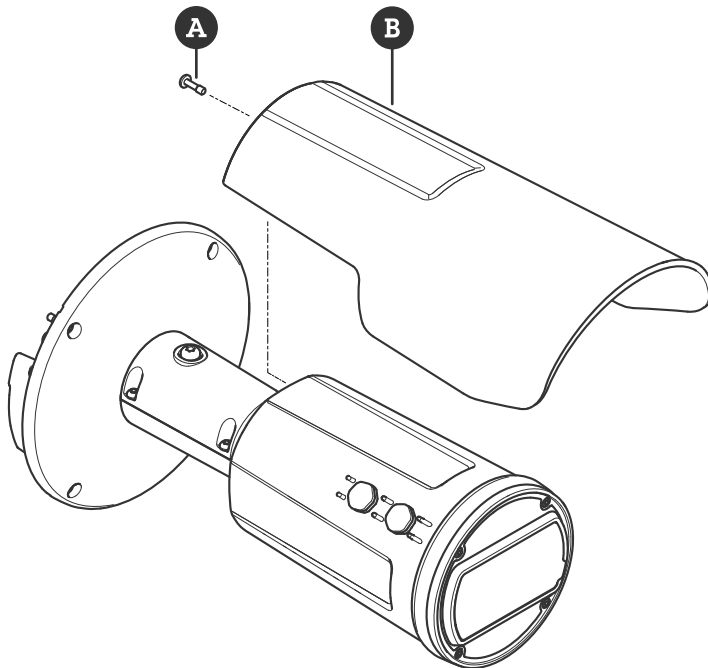
## Repaint the product

---



- A Clip
- B Lid

1. Remove the clip and the lid from the foot.



- A Screw

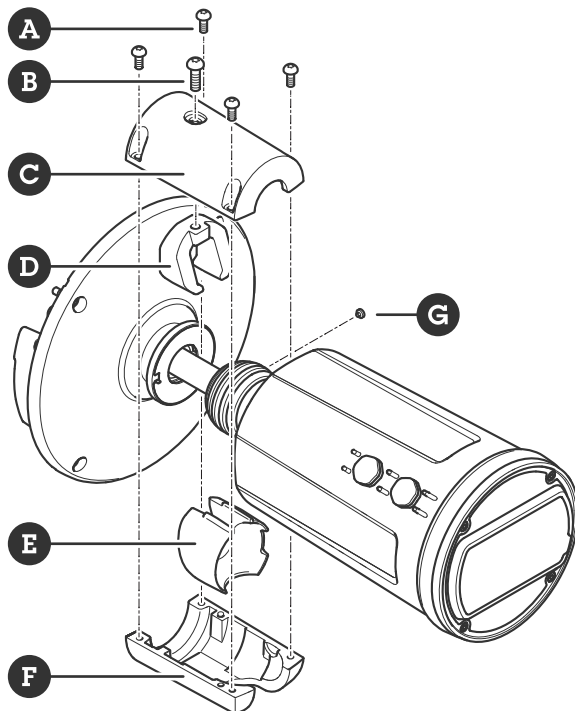
# AXIS Q18-LE series

## Repaint the product

---

### B Weather shield

2. Remove the weathershield.
3. Remove the holder from the weathershield.
4. Remove the screw from the holder.



- A Screw (4x)
- B Lock screw
- C Top cover
- D Wedge spacer
- E Clamp
- F Bottom cover
- G Pin

5. Remove the four screws, the lock screw and the top cover.

#### Note

The pin is small and can easily fall out on its own. Be careful as there is a risk of losing it.

6. Remove the pin.
7. Remove the bottom cover and the clamp.
8. Remove the lock screw from the top cover.

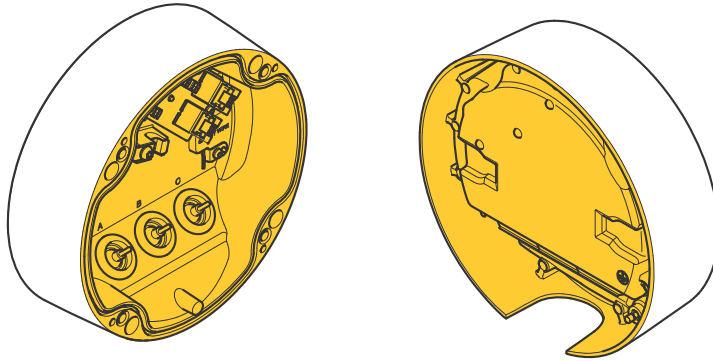
## Masking

1. Mask all screws and screw holes.

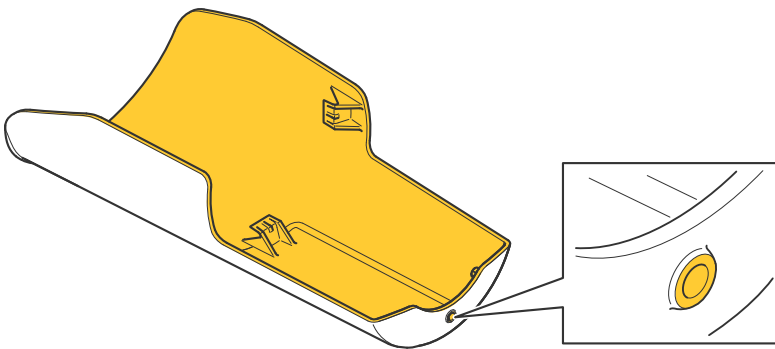
## AXIS Q18-LE series

### Repaint the product

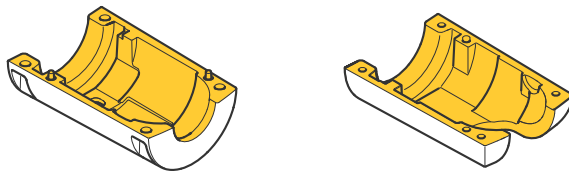
---



2. Mask the entire top of the foot.
3. Mask the entire bottom of the foot.



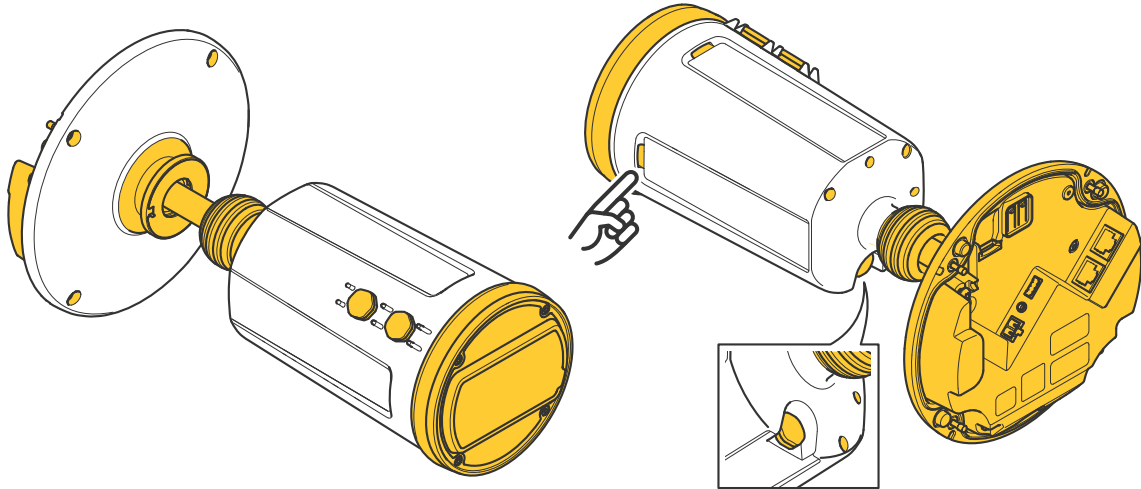
4. Mask the underside of the weathershield.



## AXIS Q18-LE series

### Repaint the product

---



5. Mask the inside of the arm covers.
6. Mask the bottom of the foot.
7. Mask everything between the foot and the ball joint.
8. Mask the vent membranes.
9. Mask the slots for the weathershield.
10. Mask the front of the camera.

### Repainting

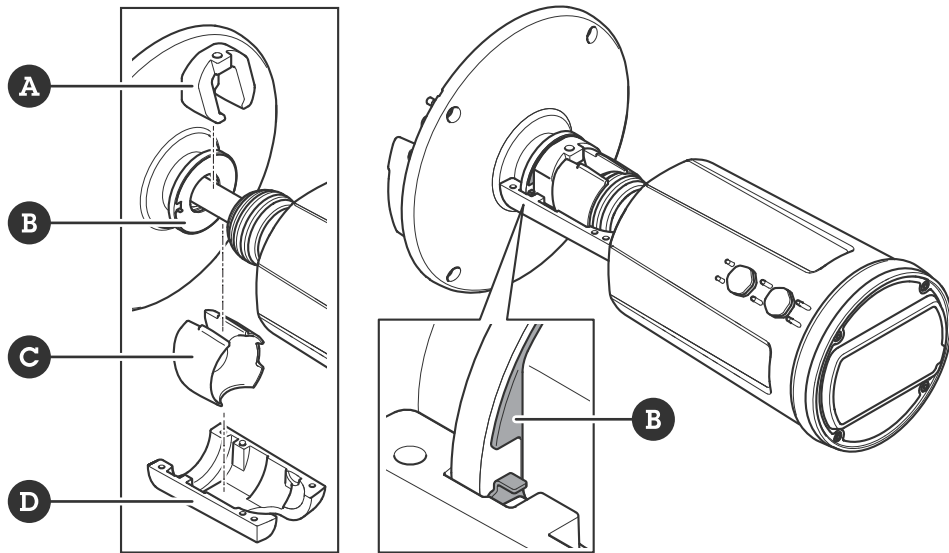
1. Apply a thin and even layer of spray paint according to the instructions of the paint manufacturer.
2. Let the paint dry.
3. To get a better coverage and clearer color, apply a second layer of spray paint.
4. When the paint is dry, remove the masking.

# AXIS Q18-LE series

## Repaint the product

---

### Reassembly



- A *Wedge spacer*
- B *Washer*
- C *Clamp*
- D *Bottom cover*

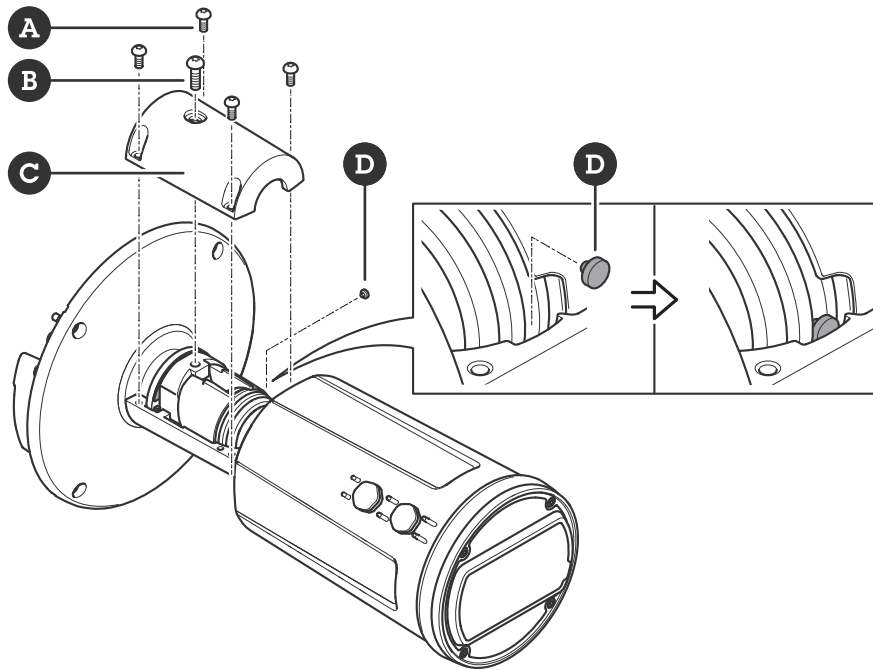
1. Slide the washer towards the foot.
2. Place and align the wedge spacer and the clamp as shown in the image.
3. Place the bottom cover under the ball joint.
4. Align the bend in the washer as shown in the image.



## AXIS Q18-LE series

### Repaint the product

---



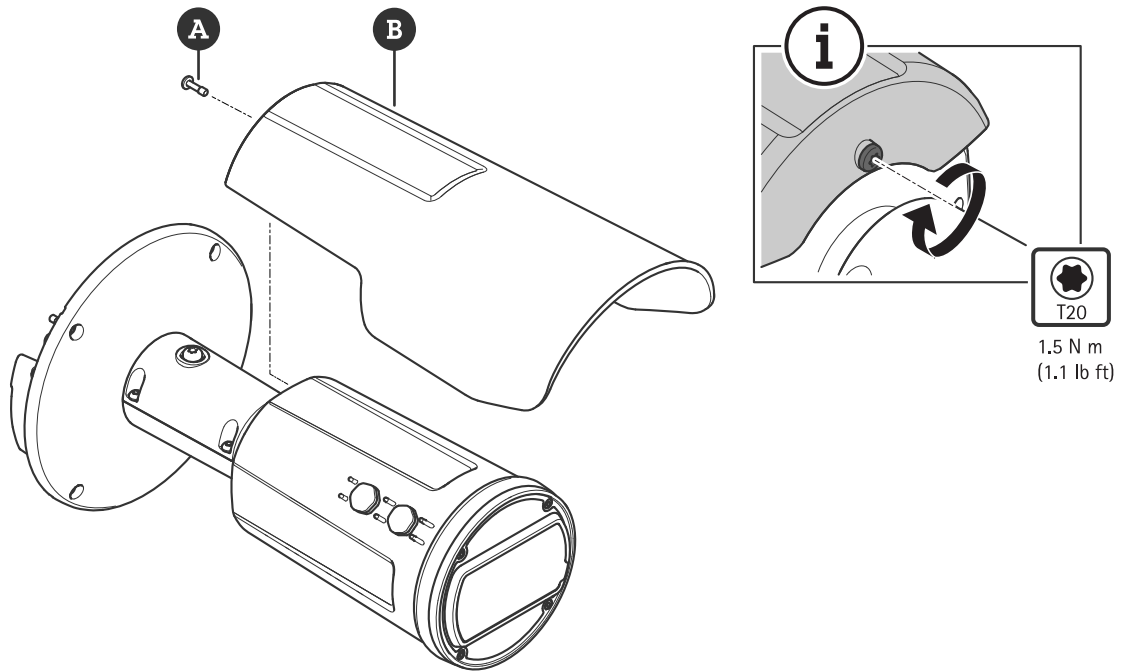
- A Screw (x4)
- B Lock screw
- C Top cover
- D Pin

5. Place the pin in the recess in the cover.
6. Attach the top cover, the four screws, and the lock screw. Don't tighten the lock screw.
7. Tighten the four screws with 2 N m (1.5 lb ft).

## AXIS Q18-LE series

### Repaint the product

---



- A Screw
- B Weather shield

8. Assemble the weathershield with 1.2 N m (0.9 lb ft).
9. Tighten the lock screw with 8 N m (5.9 lb ft).

