

# USER'S GUIDE

## AXIS T93E05 Protective Housing

ENGLISH

FRANÇAIS

DEUTSCH

ITALIANO

ESPAÑOL

## Legal Considerations

Video and audio surveillance can be prohibited by laws that vary from country to country. Check the laws in your local region before using this product for surveillance purposes.

## Trademark Acknowledgments

Apple, Boa, Bonjour, Ethernet, Internet Explorer, Linux, Microsoft, Mozilla, Netscape Navigator, OS/2, Real, SMPTE, QuickTime, UNIX, Windows, WWW are registered trademarks of the respective holders. Java and all Java-based trademarks and logos are trademarks or registered trademarks of Sun Microsystems, Inc. in the United States and other countries. Axis Communications AB is independent of Sun Microsystems Inc. UPnP™ is a certification mark of the UPnP™ Implementers Corporation.

## Electromagnetic Compatibility (EMC)

This equipment generates, uses and can radiate radio frequency energy and, if not installed and used in accordance with the instructions, may cause harmful interference to radio communications. However, there is no guarantee that interference will not occur in a particular installation.

If this equipment does cause harmful interference to radio or television reception, which can be determined by turning the equipment off and on, the user is encouraged to try to correct the interference by one or more of the following measures: Re-orient or relocate the receiving antenna. Increase the separation between the equipment and receiver. Connect the equipment to an outlet on a different circuit to the receiver. Consult your dealer or an experienced radio/TV technician for help. Shielded (STP) network cables must be used with this unit to ensure compliance with EMC standards.

**USA** – This equipment has been tested and found to comply with the limits for a Class B computing device pursuant to Subpart B of Part 15 of FCC rules, which are designed to provide reasonable protection against such interference when operated in a commercial environment. Operation of this equipment in a residential area is likely to cause interference, in which case the user at his/her own expense will be required to take whatever measures may be required to correct the interference.

**Canada** – This Class B digital apparatus complies with Canadian ICES-003.

**Europe** – **CE** This digital equipment fulfills the requirements for RF emission according to limit B of EN 55022. This product fulfills the requirements for immunity according to EN 61000-6-1 residential, commercial and light-industry environments and EN 55024.

**Japan** – This is a class B product based on the standard of the Voluntary Control Council for Interference from Information Technology Equipment (VCCI). If this is used near a radio or television receiver in a domestic environment, it may cause radio interference. Install and use the equipment according to the instruction manual.

**Australia** – This electronic device meets the requirements of the Radio communications (Electromagnetic Compatibility) Standard AS/NZS CISPR22:2002.

**Korea** – As an electromagnetic wave equipment

for office use (Class A), this equipment is intended to use in other than home area. Sellers or users need to take note of this.

## Safety

Complies to EN 60950-22 (IEC 60950-22), Safety of Information Technology Equipment.

## Equipment Modifications

This equipment must be installed and used in strict accordance with the instructions given in the user documentation. This equipment contains no user-serviceable components. Unauthorized equipment changes or modifications will invalidate all applicable regulatory certifications and approvals.

## Liability

Every care has been taken in the preparation of this document. Please inform your local Axis office of any inaccuracies or omissions. Axis Communications AB cannot be held responsible for any technical or typographical errors and reserves the right to make changes to the product and documentation without prior notice. Axis Communications AB makes no warranty of any kind with regard to the material contained within this document, including, but not limited to, the implied warranties of merchantability and fitness for a particular purpose. Axis Communications AB shall not be liable nor responsible for incidental or consequential damages in connection with the furnishing, performance or use of this material. This product is only to be used for its intended purpose.

## RoHS

This product complies with both the European RoHS directive, 2002/95/EC, and the Chinese RoHS regulations, ACEP1.



## WEEE Directive

The European Union has enacted a Directive 2002/96/EC on Waste Electrical and Electronic Equipment (WEEE Directive). This directive is applicable in the European Union member states. The WEEE marking on this product (see right) or its documentation indicates that the product must not be disposed of together with household waste. To prevent possible harm to human health and/or the environment, the product must be disposed of in an approved and environmentally safe recycling process. For further information on how to dispose of this product correctly, contact the product supplier, or the local authority responsible for waste disposal in your area. Business users should contact the product supplier for information on how to dispose of this product correctly. This product should not be mixed with other commercial waste.



## Support

Should you require any technical assistance, please contact your Axis reseller. If your questions cannot be answered immediately, your reseller will forward your queries through the appropriate channels to ensure a rapid response. If you are connected to the Internet, you can:

- download user documentation and firmware updates
- find answers to resolved problems in the FAQ database. Search by product, category, or phrases
- report problems to Axis support by logging in to your private support area

# Safeguards

Please read through this User's Guide carefully before installing the product. Keep the User's Guide for further reference.

## CAUTION!

- When transporting the Axis product, use the original packaging or equivalent to prevent damage to the product.
- Store the Axis product in a dry and ventilated environment.
- Avoid exposing the Axis product to vibration, shocks or heavy pressure and do not install the camera on unstable brackets, unstable or vibrating surfaces or walls, since this could cause damage to the product.
- Only use handtools when installing the Axis product, the use of electrical tools or excessive force could cause damage to the product.
- Do not use chemicals, caustic agents, or aerosol cleaners. Use a damp cloth for cleaning.
- Use only accessories that comply with technical specification of the product. These can be provided by Axis or a third party.
- Do not attempt to repair the product by yourself, contact Axis or your Axis reseller for service matters.

## IMPORTANT!

- This Axis product must be used in compliance with local laws and regulations.



# AXIS T93E05 User's Guide

This User's Guide provides instructions for installing AXIS T93E05 Protective Housing and corresponding Axis outdoor cameras, see [www.axis.com](http://www.axis.com) for information on compatible products.

To install the camera on the network, please see the Installation Guide provided with the camera. For other details about the camera, see the User's Manual, available from the CD provided with the camera, or from [www.axis.com](http://www.axis.com).

## Installation steps

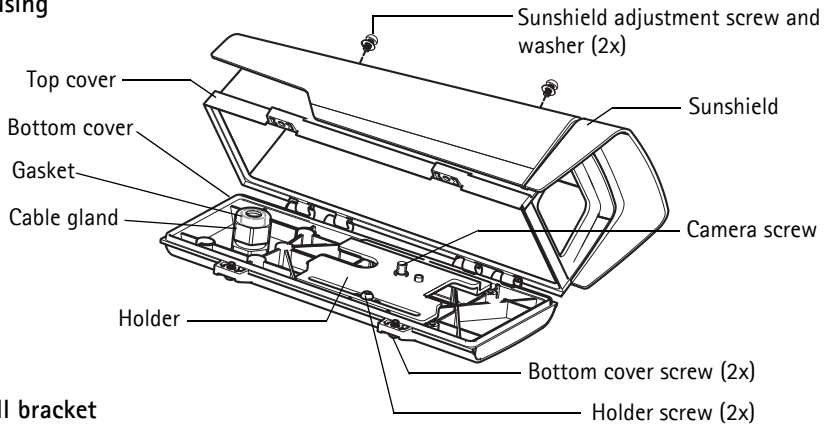
1. Check the package contents against the list below.
2. Hardware overview. See page 6.
3. Install the hardware. See page 7.

### 1 Package contents

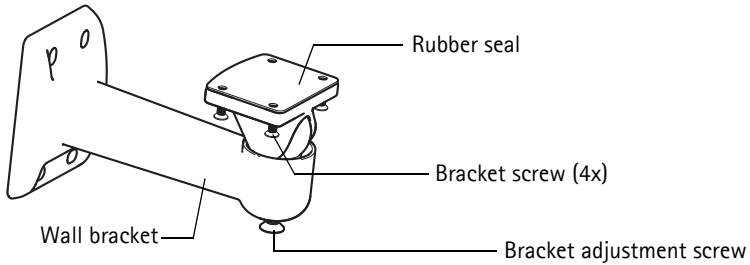
Item	Models/variants/notes
Housing	AXIS T93E05
Wall bracket	Wall bracket with internal cable channel
Tools	Torx T20 screw driver Allen key
Other	Desiccant Bag
Printed materials	AXIS T93E05 User's Guide (this document) Drill template Axis Warranty Document
Optional accessories	AXIS T8412 Installation Display VT Mounting accessories See <a href="http://www.axis.com">www.axis.com</a> for information on compatible products, accessories, product documentation, installation tools and other software.

## 2 Hardware overview

### Housing



### Wall bracket

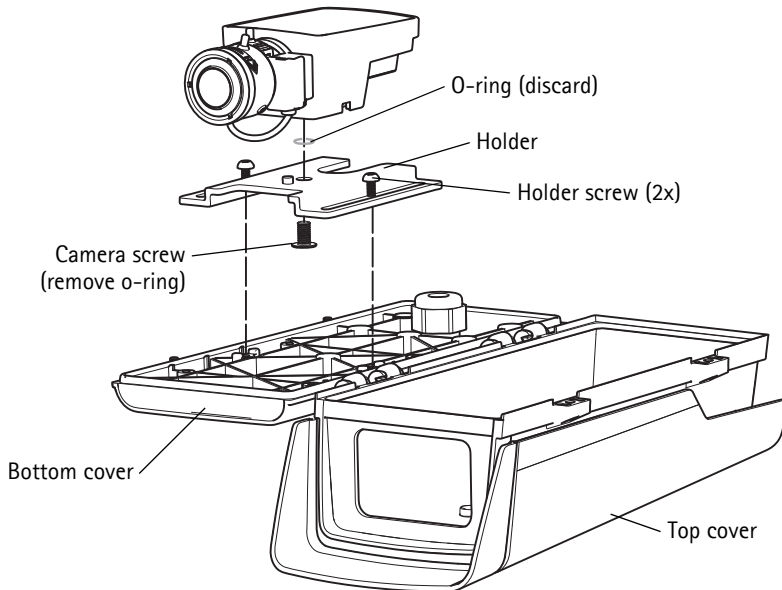


### 3 Install the hardware

#### Install the camera in the housing

The instructions below describe how to install an indoor camera in AXIS T93E05 Protective Housing. For instructions on how to install a corresponding outdoor camera, refer to *Install the wall bracket*, on page 8.

1. Loosen the bottom cover screws and open the top cover, see illustration on page 6.
2. Loosen the holder screw and remove the holder. Discard the o-ring.
3. Secure the camera and holder with the screw according to the illustration below. Tighten the camera screw to 2 Nm. Be careful not to overtighten the screw.



Example image: AXIS M1114 Network camera and AXIS T93E05 Protective Housing

4. Fit the holder on the bottom cover and adjust its position. Allow just enough distance, approximately 5–10 mm (0.2–0.4 in.), between the camera lens and the front end of the housing to fit the top cover without the window scratching the lens.
5. Tighten the screws.

## Install the wall bracket

1. Use the supplied drill template to prepare a wall or pole for installation of the wall bracket.
2. Route a shielded network cable through the wall bracket. Leave approximately 12 cm (4.7") of cable for connecting the camera.
3. Install the wall bracket on a wall or pole and make sure that the screws and plugs are appropriate for the material (e.g. wood, metal, sheet rock, stone).

## Install the camera on the bracket

### Axis outdoor cameras

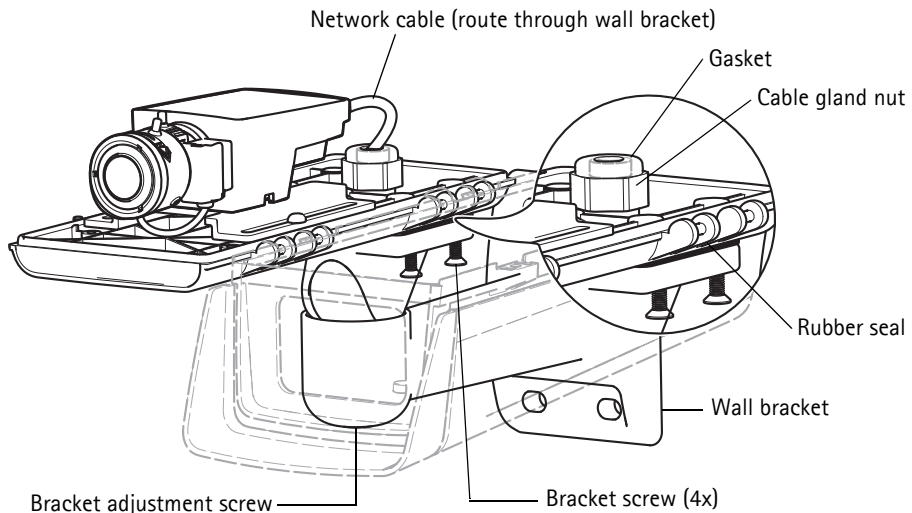
1. Loosen the bottom cover screws and open the top cover, see illustration on page 6.
2. Refer to the instructions in *Axis indoor cameras installed in AXIS T93E05*.

### Axis indoor cameras installed in AXIS T93E05

1. Unscrew the cable gland nut and remove the gasket from the cable gland.
2. Route the shielded network cable through the cable gland.

**Note:** Always use a shielded network cable (STP) intended for outdoor use between the camera and the end point and ensure that the end point is properly grounded. Installations of Axis cameras using a shielded network cable (STP) and a properly grounded end point have been tested to comply with industry immunity standards' levels such as surge protection. Any other installation method will void the warranty and leave the unit at a risk.

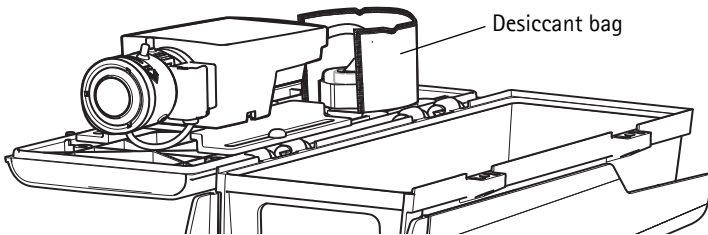
3. Install the camera with the housing on the bracket and tighten the bracket screws.
4. Attach the gasket to the network cable and push the gasket back into the gland.



Example image: AXIS M1114 Network camera and AXIS T93E05 Protective Housing



5. Tighten the cable gland nut.
6. Connect the camera to the network.
7. Loosen the bracket adjustment screw to aim the camera to the point of interest and focus the camera using an installation display, available as an optional accessory from Axis, or according to the instructions in the Installation Guide provided with the camera.
8. Remove the plastic wrapper from the desiccant bag and put the desiccant bag in the hollow space around the cable gland.



Example image: AXIS M1114 Network camera and AXIS T93E05 Protective Housing

**Note:** The desiccant bag should be replaced regularly. Always replace the desiccant bag after the housing has been opened.

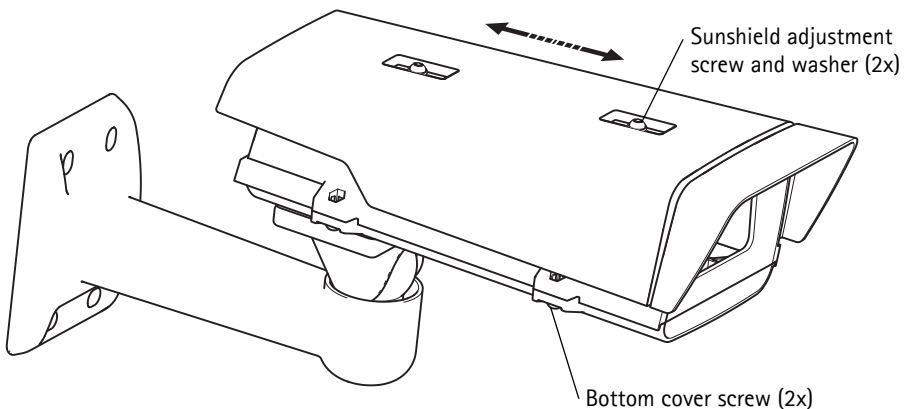
9. Close the top cover and tighten the bottom cover screws.



**CAUTION!**

**Risk of pinching**

Be aware of the hinge space between the top and bottom covers. Never put your fingers between the hinges while closing the top cover.



10. Loosen the sunshield adjustment screws and adjust the sunshield to the desired position.

## Further information

See the Installation Guide provided with the camera for information on how to assign an IP address, set the password and access the video stream. The Installation Guide is also available from the Axis Web site at [www.axis.com](http://www.axis.com)

## Technical Specifications

Function/group	Item	Specification
	Model	AXIS T93E05
General	Casing	ASA Polymer Color: white NCS S 1002-B
	Operating conditions	-20°C to 50°C (-4°F to 122°F)* Humidity 15 – 100% (condensing) * Operating temperatures may vary depending on camera, see the User's Manual, available from the CD provided with the camera, or from <a href="http://www.axis.com">www.axis.com</a>
	Storage temperature	-20°C to 50°C (-4°F to 122°F)
	Approvals	IEC 60068-2-6, IEC 60068-2-27, EN 60950-22, IEC 60529 IP66
	Dimensions (HxWxD)	95 x 126 x 304 mm (3.8" x 5" x 12")
	Weight	580 g (1.28 lb.)
	Included accessories	Wall bracket Sunshield



## Mesures de sécurité

Lisez attentivement le présent guide d'utilisation avant d'installer le produit. Conservez le guide d'utilisation pour référence ultérieure.

### ATTENTION !

- Pour éviter d'endommager le produit Axis, utilisez l'emballage d'origine ou un équivalent pour le transporter.
- Stockez le produit Axis dans un environnement sec et aéré.
- Évitez d'exposer le produit Axis à des vibrations, des chocs ou une trop forte pression et ne l'installez pas sur des supports instables ou sur des surfaces ou des murs instables ou vibrants. Cela risque de l'endommager.
- Utilisez uniquement des outils à main pour installer le produit Axis : l'utilisation d'outils électriques ou l'usage excessif de la force risquent de l'endommager.
- N'utilisez ni produits chimiques, ni substances caustiques ou nettoyeurs aérosol. Utilisez un chiffon humide pour le nettoyage.
- N'utilisez que des accessoires conformes aux caractéristiques techniques du produit. Ceux-ci peuvent être fournis par Axis ou un fournisseur tiers.
- Ne tentez pas de réparer le produit vous-même, contactez Axis ou votre revendeur Axis pour toute réparation.

### IMPORTANT !

- Ce produit Axis doit être utilisé conformément aux lois et réglementations locales en vigueur.

# AXIS T93E05 Guide d'utilisation

Ce guide d'utilisation fournit les instructions d'installation du AXIS T93E05 Caisson de protection et des caméras extérieures Axis correspondantes ; consultez le site [www.axis.com](http://www.axis.com) pour plus d'informations sur les produits compatibles.

Pour installer la caméra sur le réseau, consultez le guide d'installation fourni avec la caméra. Pour en savoir plus sur la caméra, consultez le manuel de l'utilisateur, disponible sur le CD fourni avec la caméra ou sur le site [www.axis.com](http://www.axis.com).

## Procédure d'installation

1. Vérifiez le contenu de l'emballage par rapport à la liste ci-dessous.
2. Vue d'ensemble du matériel. Reportez-vous à la page 14.
3. Installation du matériel. Reportez-vous à la page 15.

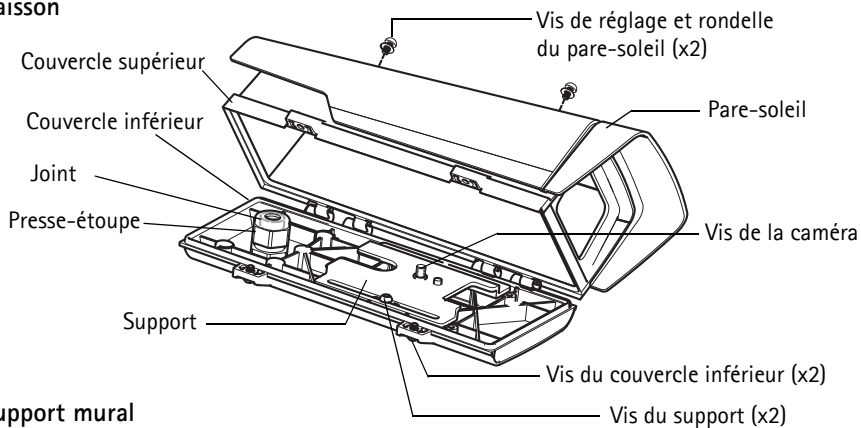
### 1 Contenu de l'emballage

Élément	Modèles/variantes/remarques
Caisson	AXIS T93E05
Support mural	Support mural avec chemin de câble interne
Outils	Tournevis Torx T20 Clé hexagonale
Autre	Sachet dessiccateur
Documentation imprimée	AXIS T93E05 Guide d'utilisation (le présent document) Gabarit de perçage Document de garantie Axis

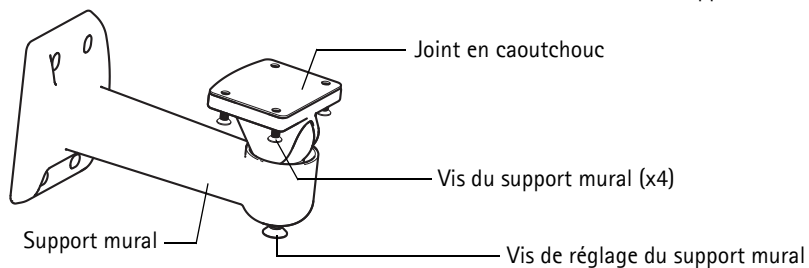
Accessoires en option	Moniteur d'installation AXIS T8412 Accessoires de fixation VT Consultez le site <a href="http://www.axis.com">www.axis.com</a> pour plus d'informations sur les produits compatibles, les accessoires, la documentation, les outils d'installation et les autres logiciels.
-----------------------	---

## 2 Vue d'ensemble du matériel

### Caisson



### Support mural



### 3 Installation du matériel

#### Installation de la caméra dans le caisson

Les instructions ci-dessous décrivent la procédure d'installation d'une caméra intérieure dans le caisson de protection AXIS T93E05. Pour des instructions d'installation concernant une caméra extérieure correspondante, consultez *Installation du support mural*, sur page 16.

1. Desserrez les vis du couvercle inférieur et ouvrez le couvercle supérieur, voir l'illustration à la page 14.
2. Desserrez les vis du support pour pouvoir le retirer. Déposez le joint torique.
3. Stabilisez la caméra et le support avec la vis comme montré sur l'illustration ci-dessous. Serrez la vis de la caméra à 2 Nm. Veillez à ne pas trop la serrer.

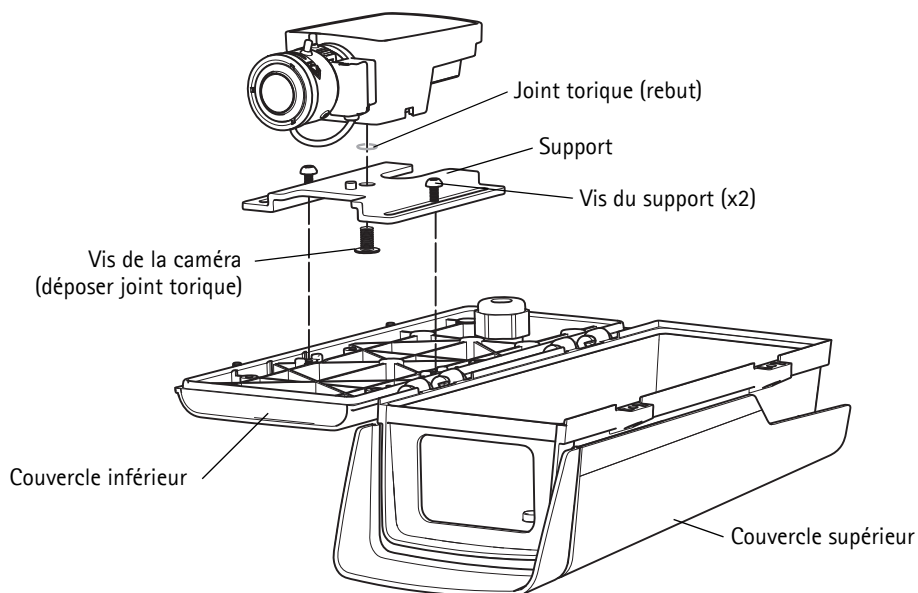


Illustration : Caméra réseau AXIS M1114 et Caisson de protection AXIS T93E05

4. Positionnez le support sur le couvercle inférieur et ajustez sa position. Prévoyez une distance suffisante, d'environ 5 à 10 mm, entre l'objectif de la caméra et l'extrémité avant du boîtier pour positionner le couvercle supérieur sans que la fenêtre ne raye l'objectif.
5. Serrez les vis.

## Installation du support mural

1. Préparez le mur ou le poteau de montage sur lequel le support mural doit être installé à l'aide du gabarit de perçage fourni.
2. Acheminez un câble réseau blindé à travers le support mural. Laissez environ 12 cm de câble pour la connexion de la caméra.
3. Fixez le support mural sur un mur ou un poteau et assurez-vous que les vis et les fiches sont adaptées au matériau (p. ex., bois, métal, plaque de plâtre ou pierre).

## Installation de la caméra sur le support mural

### Caméras extérieures Axis

1. Desserrez les vis du couvercle inférieur et ouvrez le couvercle supérieur, voir l'illustration à la page 14.
2. Reportez-vous aux instructions de la section *Caméras intérieures Axis installées dans AXIS T93E05*.

### Caméras intérieures Axis installées dans AXIS T93E05

1. Dévissez l'écrou du presse-étoupe et déposez le joint du presse-étoupe.
2. Acheminez le câble réseau blindé à travers le presse-étoupe.

**Remarque :** Utilisez toujours un câble réseau à paires torsadées blindé prévu pour une utilisation à l'extérieur afin de relier la caméra et le point terminal. Assurez-vous également que le point terminal est correctement mis à la terre. Les installations des caméras Axis à l'aide d'un câble réseau à paires torsadées blindé et d'un point terminal correctement mis à la terre ont été contrôlées conformes aux niveaux de la norme relative à l'immunité de l'industrie, comme la protection contre les surtensions. Toute autre méthode d'installation annule la garantie et expose le produit à des risques.

3. Installez la caméra avec le caisson sur le support mural et serrez les vis du support.



- Fixez le joint sur le câble réseau et repassez-le dans le presse-étoupe.

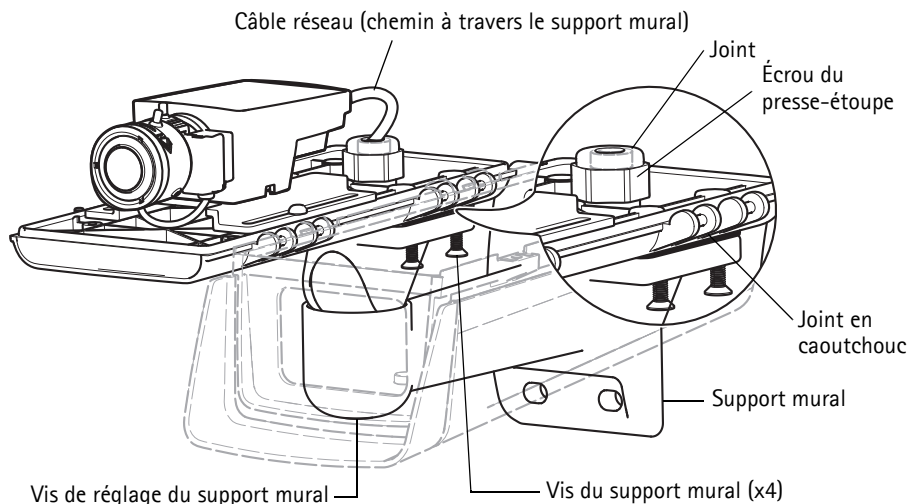


Illustration : Caméra réseau AXIS M1114 et Caisson de protection AXIS T93E05

- Serrez l'écrou du presse-étoupe.
- Connectez la caméra au réseau.
- Desserrez la vis de réglage du support mural afin d'orienter la caméra dans la direction voulue et effectuez la mise au point de la caméra à l'aide du moniteur d'installation, disponible en tant qu'accessoire en option auprès d'Axis, ou conformément aux instructions décrites dans le guide d'installation fourni avec la caméra.
- Retirez l'emballage plastique du sachet dessiccant et placez le sachet dessiccant dans l'espace creux autour du presse-étoupe.

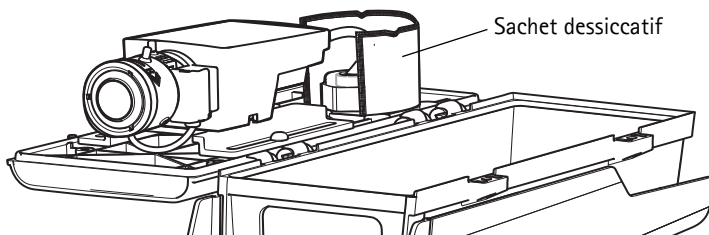


Illustration : Caméra réseau AXIS M1114 et Caisson de protection AXIS T93E05

**Remarque :** Le sachet dessiccant doit être remplacé régulièrement. Remplacez toujours le sachet dessiccant après avoir ouvert le caisson.

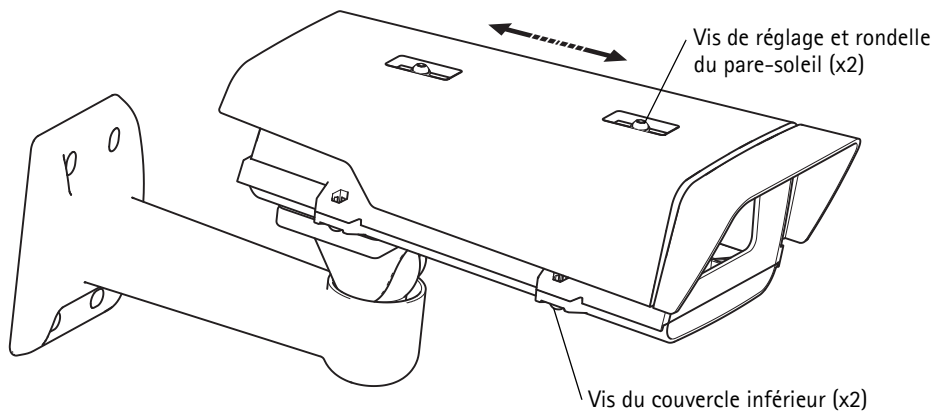
9. Fermez le couvercle supérieur et serrez les vis du couvercle inférieur.



**ATTENTION !**

**Risque de pincement**

Attention à la charnière séparant les couvercles supérieur et inférieur. Ne mettez jamais vos doigts entre les charnières lorsque vous fermez le couvercle supérieur.



10. Desserrez les vis de réglage du pare-soleil pour pouvoir l'ajuster et le mettre dans la position souhaitée.

## Informations complémentaires

Consultez le guide d'installation fourni avec la caméra pour plus d'informations sur l'attribution d'une adresse IP, la configuration d'un mot de passe et l'accès au flux de données vidéo. Le guide d'installation est également disponible sur le site Web d'Axis à l'adresse [www.axis.com](http://www.axis.com).

## Caractéristiques techniques

Fonction/ groupe	Élément	Caractéristiques techniques
	Modèle	AXIS T93E05
Général	Caisson	Polymère ASA Couleur : blanc NCS S 1002-B
	Conditions d'utilisation	-20 °C à 50 °C * Humidité 15 - 100 % (condensation) * Les températures de fonctionnement peuvent varier d'une caméra à l'autre, consultez le manuel de l'utilisateur, disponible sur le CD fourni avec la caméra ou sur le site <a href="http://www.axis.com">www.axis.com</a> .
	Température de stockage	- 20 °C à 50 °C
	Homologations	IEC 60068-2-6, IEC 60068-2-27, EN 60950-22, IEC 60529 IP66
	Dimensions (H x L x P)	95 x 126 x 304 mm
	Poids	580 g
	Accessoires fournis	Support mural Pare-soleil

# Sicherheitsvorkehrungen

Bitte lesen Sie zunächst dieses Benutzerhandbuch vollständig durch, bevor Sie mit der Installation Ihres Produkts beginnen. Halten Sie das Benutzerhandbuch bereit, falls Sie darauf zurückgreifen müssen.

## **VORSICHT!**

- Transportieren Sie das Axis-Produkt nur in der Originalverpackung bzw. in einer vergleichbaren Verpackung, damit das Produkt nicht beschädigt wird.
- Lagern Sie das Axis-Produkt in einer trockenen und belüfteten Umgebung.
- Achten Sie darauf, dass das Axis-Produkt keinen Erschütterungen, Stößen oder starkem Druck ausgesetzt ist und montieren Sie die Kamera nicht auf instabilen Halterungen oder auf instabilen und vibrierenden Oberflächen oder Wänden. Dies könnte zu Beschädigungen des Produkts führen.
- Verwenden Sie keine elektrischen Werkzeuge zur Montage des Axis-Produkts, da diese das Produkt beschädigen könnten.
- Verwenden Sie keine chemischen, ätzenden oder Aerosol-Reinigungsmittel. Verwenden Sie zur Reinigung ein feuchtes Tuch.
- Verwenden Sie nur Zubehör, das den technischen Spezifikationen des Produkts entspricht. Dieses ist von Axis oder Drittanbietern erhältlich.
- Versuchen Sie nicht, das Produkt selbst zu reparieren. Wenden Sie sich bei Service-Angelegenheiten an Axis oder an Ihren Axis-Händler.

## **WICHTIG!**

- Verwenden Sie dieses Axis-Produkt unter Beachtung der geltenden rechtlichen Bestimmungen.

# AXIS T93E05 Bedienungsanleitung

Dieses Bedienungsanleitung enthält Anweisungen zur Installation des AXIS T93E05 Schutzgehäuses und der entsprechenden Außenbereichskameras. Informationen zu geeigneten Kameramodellen finden Sie unter „www.axis.com“.

Anweisungen zur Installation der Kamera im Netzwerk finden Sie in der Installationsanleitung zu Ihrer Kamera. Weitere Angaben zur Kamera finden Sie im Benutzerhandbuch, das auf der CD, die im Lieferumfang der Kamera enthalten ist, sowie auf unserer Website unter „www.axis.com“ zur Verfügung steht.

## Installationsschritte

1. Prüfen Sie, ob alle in der nachfolgenden Liste aufgeführten Komponenten vorhanden sind.
2. Sehen Sie sich die Hardwareübersicht an. Siehe Seite 22.
3. Installieren Sie die Hardware. Siehe Seite 23.

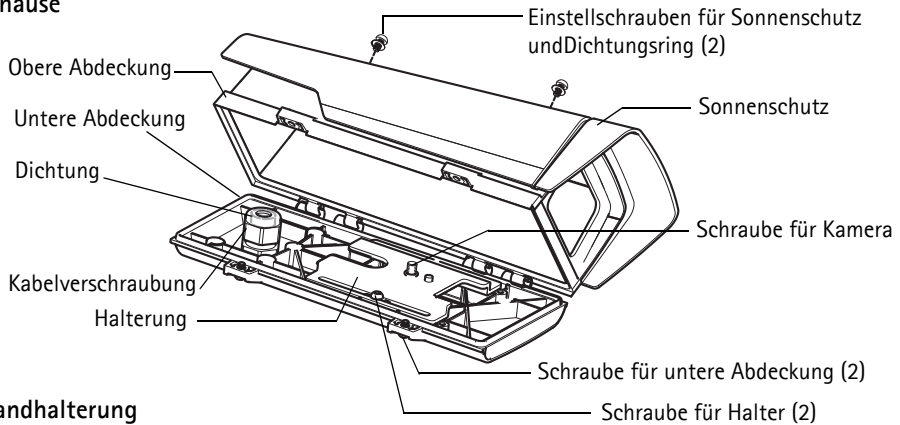
### 1 Inhalt des Produktpakets

Komponente	Modelle/Varianten/Anmerkungen
Gehäuse	AXIS T93E05
Wandhalterung	Wandhalterung mit internem Kabelschacht
Tools	Torx T20-Schraubendreher Inbusschlüssel
Sonstiges	Antikondensationsbeutel
GEDRUCKTE DOKUMENTE	AXIS T93E05 Bedienungsanleitung (dieses Dokument) Bohrschablone Axis-Garantieerklärung

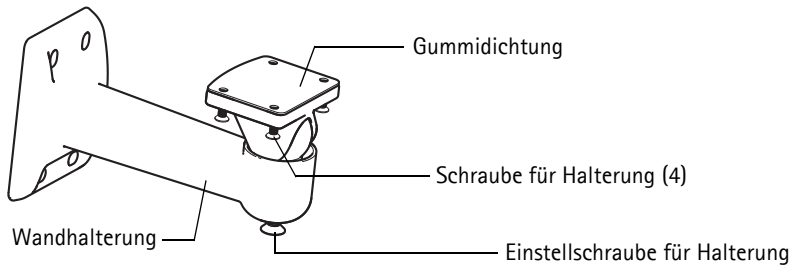
Optionales Zubehör	AXIS T8412 Installationsmonitor VT Montagezubehör Weitere Informationen zur Produktdokumentation sowie zu kompatiblen Produkten, Zubehör, Installationswerkzeugen und anderer Software finden Sie unter „www.axis.com“.
--------------------	---

## 2 Hardwareübersicht

### Gehäuse



### Wandhalterung

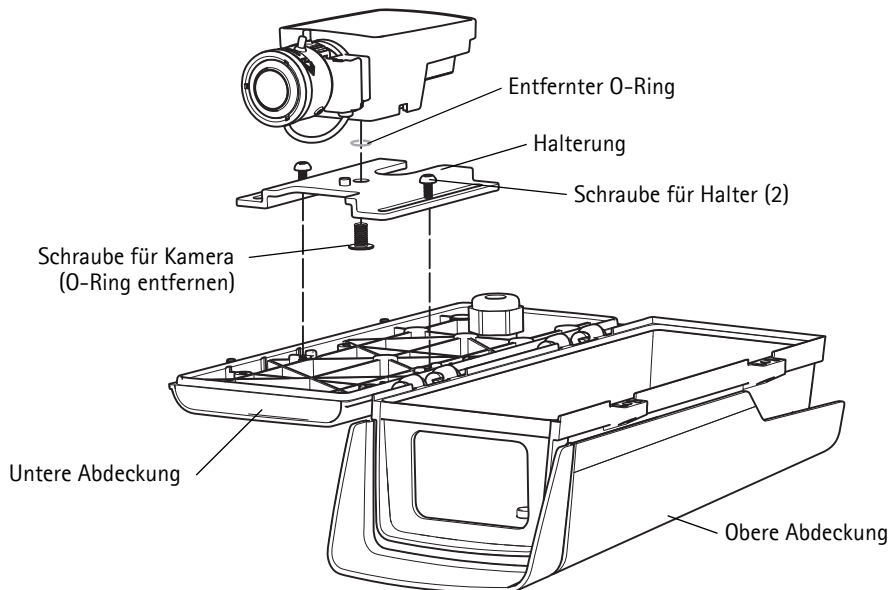


### 3 Installation der Hardware

#### Kamera im Gehäuse anbringen

In den folgenden Anweisungen wird beschrieben, wie Sie eine Innenraumkamera im AXIS T93E05 Schutzgehäuse montieren. Anweisungen zur Installation des Außenbereichmodells finden Sie unter *Installation der Wandhalterung*, auf Seite 24.

1. Lösen Sie die Schrauben der unteren Abdeckung und öffnen Sie die obere Abdeckung. Siehe Abbildung auf Seite 22.
2. Lösen Sie die Schraube des Halters und entfernen Sie den Halter. Nehmen Sie den O-Ring ab.
3. Sichern Sie die Kamera und den Halter mit der Schraube, wie in der folgenden Abbildung dargestellt. Ziehen Sie die Kameraschraube fest (Drehmoment 2 Nm). Achten Sie darauf, dass Sie die Schraube nicht überdrehen.



Beispielbild: AXIS M1114 Netzwerk-Kamera und AXIS T93E05 Schutzgehäuse

4. Setzen Sie den Halter auf die untere Abdeckung und richten Sie ihn aus. Halten Sie einen ausreichenden Abstand (etwa 5 bis 10 mm) vom Kameraobjektiv zur Vorderseite des Gehäuses ein, sodass die obere Abdeckung passt, ohne das Objektiv zu zerkratzen.
5. Ziehen Sie die Schrauben fest.

## Installation der Wandhalterung

1. Bereiten Sie die Befestigung der Wandhalterung an der Wand oder an einem Mast vor und markieren Sie die Position der Bohrlöcher mithilfe der mitgelieferten Bohrschablone.
2. Führen Sie ein abgeschirmtes Netzkabel durch die Wandhalterung. Sie benötigen noch etwa 12 cm Kabel für den Anschluss an die Kamera.
3. Montieren Sie die Wandhalterung an einer Wand oder einem Mast. Stellen Sie sicher, dass Sie für das Material (z. B. Holz, Metall, Gipskarton, Stein) die geeigneten Schrauben und Dübel verwenden.

## Anbringen der Kamera an der Halterung

### Kameras von Axis für den Außenbereich

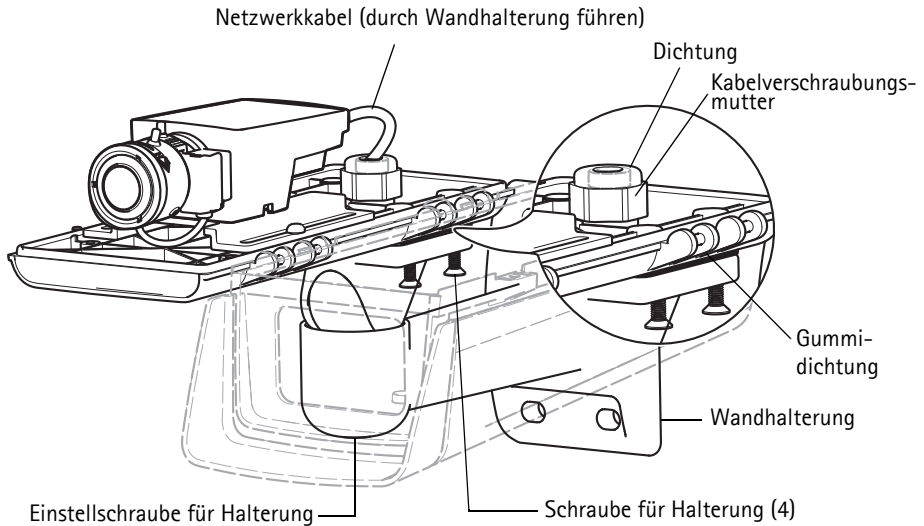
1. Lösen Sie die Schrauben der unteren Abdeckung und öffnen Sie die obere Abdeckung. Siehe Abbildung auf Seite 22.
2. Befolgen Sie die Anweisungen unter *Innenraumkameras von Axis im AXIS T93E05*.

### Innenraumkameras von Axis im AXIS T93E05

1. Lösen Sie die Kabelverschraubungsmutter und nehmen Sie die Dichtung aus der Kabelverschraubung.
2. Führen Sie das abgeschirmte Netzkabel durch die Kabelverschraubung.  
**Hinweis:** Verbinden Sie die Kamera immer über ein für den Außenbereich geeignetes abgeschirmtes Netzkabel mit dem Endpunkt. Stellen Sie sicher, dass der Endpunkt ordnungsgemäß geerdet ist. Die Verwendung eines abgeschirmten Netzkabels und eines geerdeten Endpunkts für die Installation von Axis Kameras wurde sorgfältig getestet und erfüllt die Industrienormen bezüglich Störfestigkeit, z. B. Überspannungsschutz. Wenn Sie andere Installationsmethoden verwenden, erlischt die Garantie und der sichere Betrieb des Geräts ist nicht gewährleistet.
3. Montieren Sie die Kamera mit dem Gehäuse an der Halterung und ziehen Sie die Halterungsschrauben fest.

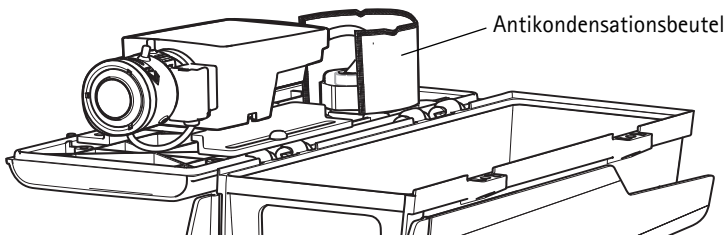


4. Bringen Sie die Dichtung am Netzkabel an und drücken Sie sie wieder in die Kabelverschraubung.



Beispielbild: AXIS M1114 Netzwerk-Kamera und AXIS T93E05 Schutzgehäuse

5. Ziehen Sie die Kabelverschraubungsmutter fest.
6. Verbinden Sie die Kamera mit dem Netzwerk.
7. Lösen Sie die Einstellschraube der Halterung und richten Sie die Kamera auf das gewünschte Ziel aus. Führen Sie die Fokussierung der Kamera mithilfe des Installationsmonitors, der als optionales Zubehör von Axis erhältlich ist, oder gemäß den Anweisungen in der Installationsanleitung zu Ihrer Kamera durch.
8. Entfernen Sie die Plastikschildhülle des Antikondensationsbeutels und legen Sie den Antikondensationsbeutel in den Hohlraum um die Kabelverschraubung.



Beispielbild: AXIS M1114 Netzwerk-Kamera und AXIS T93E05 Schutzgehäuse

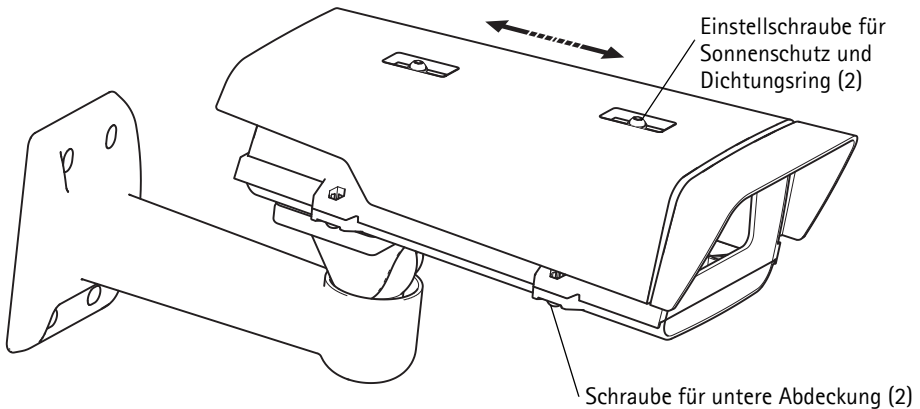
Hinweis: Der Antikondensationsbeutel sollte regelmäßig ausgetauscht werden. Tauschen Sie den

Antikondensationsbeutel immer aus, wenn das Gehäuse geöffnet wurde.

- Schließen Sie die obere Abdeckung und ziehen Sie die Schrauben der unteren Abdeckung fest.

**VORSICHT!****Einklemmgefahr**

Beachten Sie die Scharnierausparung zwischen der oberen und unteren Abdeckung. Fassen Sie niemals mit den Fingern in diese Ausparung, während Sie die obere Abdeckung schließen.



- Lösen Sie die Einstellschrauben des Sonnenschutzes und bringen Sie den Sonnenschutz in die gewünschte Position.

## Weitere Informationen

Im Installationshandbuch zu Ihrer Kamera finden Sie Informationen zum Zuweisen einer IP-Adresse und Festlegen des Kennworts sowie zum Zugriff auf den Videostrom. Das Benutzerhandbuch steht ebenfalls auf der Website von Axis unter „[www.axis.com](http://www.axis.com)“ zur Verfügung.

## Technische Daten

Funktion/ Gruppe	Komponente	Spezifikation
	Modell	AXIS T93E05
Allgemein	Gehäuse	ASA-Polymer Farbe: weiß NCS S 1002-B
	Betriebsbedingungen	-20°C bis 50°C* Luftfeuchtigkeit 15 bis 100 % (kondensierend) * Die Betriebstemperaturen können je nach Kameramodell variieren. Informationen hierzu finden Sie im Benutzerhandbuch, das auf der CD, die im Lieferumfang der Kamera enthalten ist, zur Verfügung steht, sowie auf unserer Website unter „ <a href="http://www.axis.com">www.axis.com</a> “.
	Lagerungstemperatur	-20°C bis 50°C
	Zulassungen	IEC 60068-2-6, IEC 60068-2-27, EN 60950-22, IEC 60529 IP66
	Abmessung (H x B x T)	95 x 126 x 304 mm
	Gewicht	580 g
	Im Lieferumfang enthaltenes Zubehör	Wandhalterung Sonnenschutz

# Precauzioni

Leggere per intero e con attenzione questa Guida per l'utente prima di installare il prodotto. Conservare la Guida per l'utente per ulteriori riferimenti.

## **ATTENZIONE!**

- Quando si trasporta un prodotto Axis, utilizzare l'imballo originale o un imballo equivalente per evitare danni al prodotto.
- Conservare il prodotto Axis in un ambiente asciutto e ventilato.
- Evitare di esporre il prodotto Axis a vibrazioni, urti o pressioni eccessive e non installare la telecamera su staffe instabili, superfici o pareti instabili o vibranti, poiché in tal modo si potrebbe danneggiare il prodotto.
- Per l'installazione del prodotto Axis, utilizzare solo attrezzi manuali, l'utilizzo di utensili elettrici o l'applicazione di una forza eccessiva potrebbero danneggiare il prodotto.
- Non utilizzare sostanze chimiche, agenti caustici o detergenti aerosol. Utilizzare un panno umido per la pulizia.
- Usare solo accessori compatibili con le specifiche tecniche del prodotto. Questi possono essere forniti da Axis o da terze parti.
- Non tentare di riparare da soli il prodotto, ma contattare Axis o il rivenditore Axis per qualsiasi argomento relativo all'assistenza tecnica.

## **IMPORTANTE!**

- Questo prodotto Axis deve essere utilizzato in conformità alle leggi e alle regolamentazioni locali.

# Guida per l'utente di AXIS T93E05

Questa Guida per l'utente fornisce le istruzioni per l'installazione dell'Alloggiamento di protezione AXIS T93E05 e delle corrispondenti telecamere per esterni Axis, vedere [www.axis.com](http://www.axis.com) per informazioni sui prodotti compatibili.

Per installare la telecamera nella rete, vedere la Guida all'installazione fornita con la telecamera. Per tutte le altre informazioni relative all'uso della telecamera, consultare la Guida per l'utente, disponibile sul CD fornito con la telecamera o sul sito [www.axis.com](http://www.axis.com).

## Procedura di installazione

1. Controllare il contenuto della confezione con l'elenco che segue.
2. Panoramica dell'hardware. Vedere pagina 30.
3. Installazione dell'hardware. Vedere pagina 31.

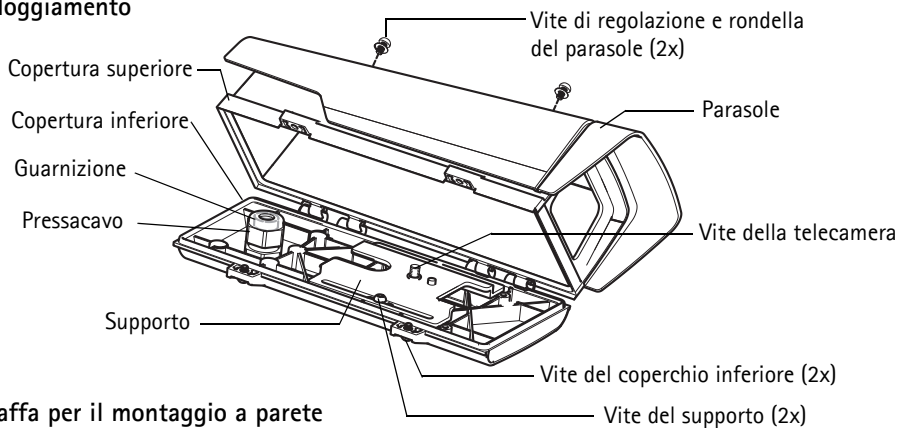
### 1 Contenuto della confezione

Elemento	Modelli/varianti/note
Alloggiamento	AXIS T93E05
Staffa per il montaggio a parete	Staffa per il montaggio a muro con canalina interna per cavi
Strumenti	Cacciavite Torx T20 Chiave Allen
Altra	Sacchetto di essiccante
Materiali stampati	Guida per l'utente di AXIS T93E05 (questo documento) Maschera per la foratura Documento di garanzia Axis

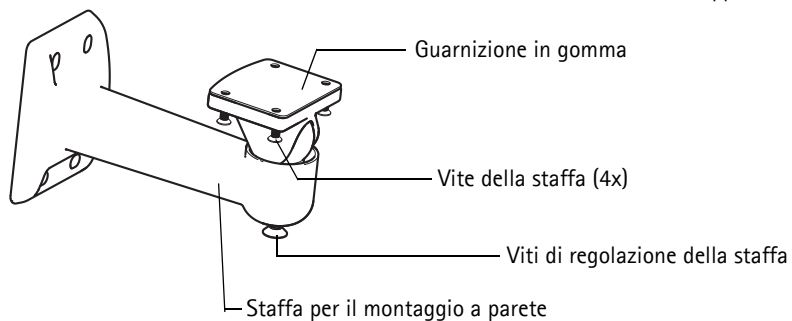
Accessori opzionali	AXIS T8412 Installation Display Accessori di montaggio VT Per informazioni su prodotti compatibili, accessori, documentazione del prodotto, attrezzi per l'installazione e altro software, visitare il sito web <a href="http://www.axis.com">www.axis.com</a>
---------------------	--

## 2 Panoramica dell'hardware

### Alloggiamento



### Staffa per il montaggio a parete

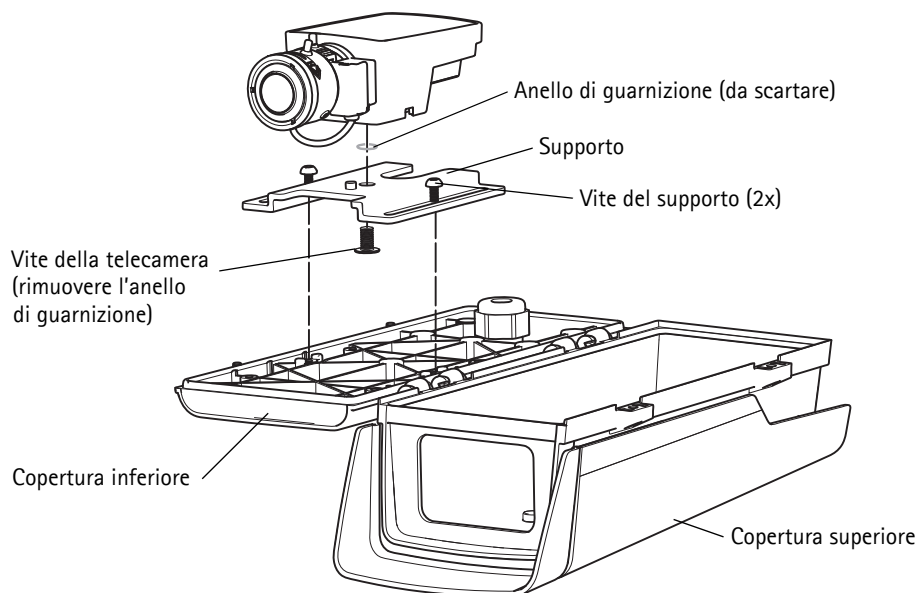


### 3 Installazione dell'hardware

#### Installare la telecamera nell'alloggiamento

Le istruzioni che seguono descrivono installare una telecamera per interni nell'Alloggiamento di protezione AXIS T93E05. Per le istruzioni sull'installazione di una corrispondente telecamera per esterni, fare riferimento a *Installare la staffa di montaggio a parete*, a pagina 32.

1. Allentare le viti della copertura inferiore e aprire la copertura superiore, come nell'illustrazione a pagina 30.
2. Allentare la vite del supporto e rimuoverlo. Gettare l'anello di guarnizione.
3. Fissare la telecamera e il supporto con la vite, come mostrato nell'illustrazione che segue.  
Serrare la vite della telecamera a 2 Nm. Fare attenzione a non serrare eccessivamente la vite.



Esempio: Telecamera di rete AXIS M1114 e alloggiamento di protezione AXIS T93E05

4. Montare il supporto sulla copertura inferiore e regolarne la posizione. Lasciare una distanza sufficiente, circa 5–10 mm, tra l'obiettivo della telecamera e l'estremità anteriore dell'alloggiamento, in modo che la copertura superiore possa essere montata senza graffiare l'obiettivo.
5. Serrare le viti.

## Installare la staffa di montaggio a parete

1. Utilizzare la maschera di foratura fornita per preparare una parete o un'asta per l'installazione della staffa a parete.
2. Far passare un cavo di rete schermato attraverso la staffa per il montaggio a parete. Lasciare circa 12 cm di cavo per collegare la telecamera.
3. Installare la staffa a parete su una parete o un'asta e assicurarsi che le viti e i connettori siano appropriati per il materiale (ad esempio legno, metallo, cartongesso, pietra).

## Installare la telecamera sulla staffa

### Telecamere Axis per ambienti esterni

1. Allentare le viti della copertura inferiore e aprire la copertura superiore, come nell'illustrazione a pagina 30.
2. Seguire le istruzioni riportate in *Telecamere Axis per interni installate in AXIS T93E05*.

### Telecamere Axis per interni installate in AXIS T93E05

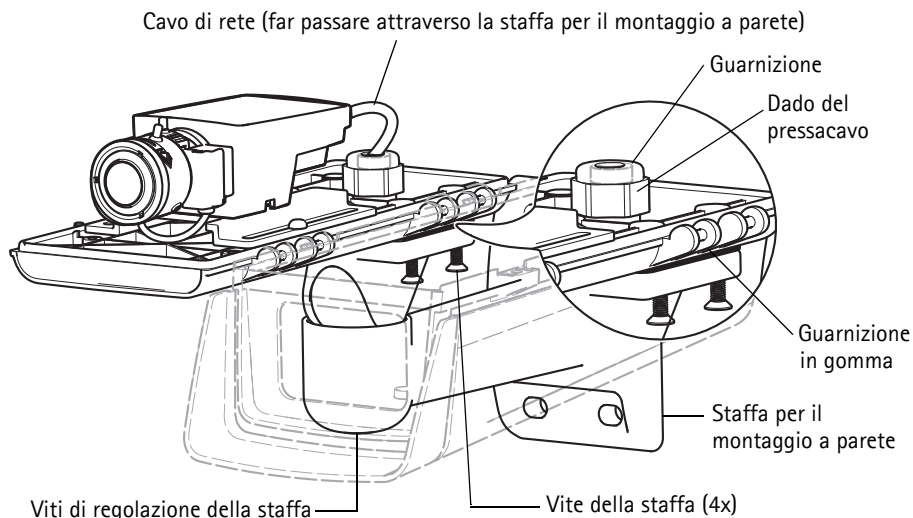
1. Svitare il dado del pressacavo e rimuovere la guarnizione dal pressacavo.
2. Far passare un cavo di rete schermato attraverso il pressacavo.

**Nota:** Usare sempre un cavo di rete schermato (STP) per ambienti interni fra la telecamera e il punto terminale e assicurarsi che il punto terminale sia correttamente connesso a terra. Le installazioni delle telecamere Axis con un cavo di rete schermato (STP) e un punto terminale correttamente connesso a terra sono state collaudate in modo da soddisfare i livelli standard industriali, ad esempio per la protezione dai picchi di tensione. Qualsiasi altro metodo di installazione rende nulla la garanzia ed espone a rischi l'unità.

3. Installare la telecamera con l'alloggiamento sulla staffa, quindi serrare le viti della staffa.

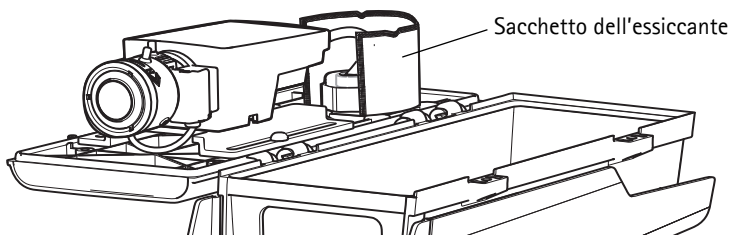


- Montare la guarnizione sul cavo di rete e spingere di nuovo la guarnizione nel pressacavo.



Esempio: Telecamera di rete AXIS M1114 e alloggiamento di protezione AXIS T93E05

- Serrare il dado del pressacavo.
- Collegare la telecamera alla rete.
- Allentare le viti di regolazione della staffa per rivolgere la telecamera verso il punto desiderato e metterla a fuoco utilizzando un display per l'installazione, disponibile come accessorio opzionale da Axis, secondo le istruzioni fornite nella Guida all'installazione fornita con la telecamera.
- Rimuovere la fascetta in plastica dal sacchetto dell'essiccante e collocare il sacchetto dell'essiccante nello spazio incavato intorno al pressacavo.



Esempio: Telecamera di rete AXIS M1114 e alloggiamento di protezione AXIS T93E05

**Nota:** Il sacchetto dell'essiccante deve essere sostituito regolarmente. Sostituire sempre il sacchetto

dell'essiccante dopo avere aperto l'alloggiamento.

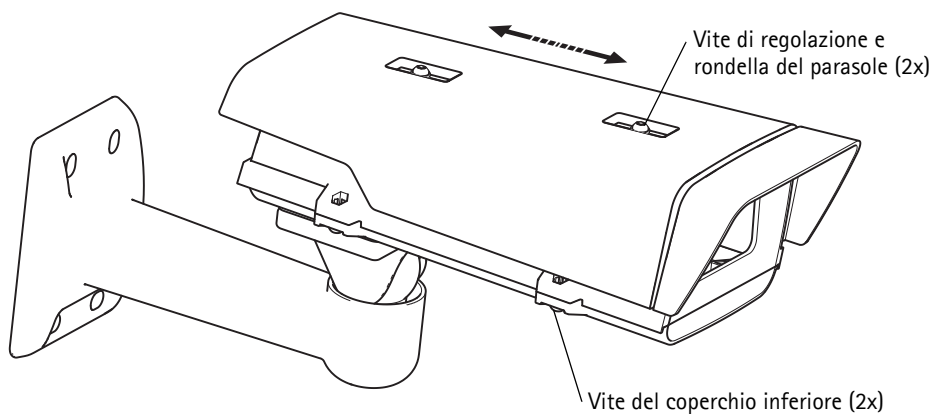
9. Chiudere la copertura superiore e serrare le viti della copertura inferiore.



**ATTENZIONE!**

**Rischio di schiacciamento**

Fare attenzione allo spazio della cerniera tra il coperchio superiore e quello inferiore. Non mettere mai le dita tra le cerniere durante la chiusura del coperchio superiore.



10. Allentare le viti di regolazione del parasole e regolarlo nella posizione desiderata.

## Ulteriori informazioni

Vedere la Guida all'installazione fornita con la telecamera per informazioni sul modo per assegnare l'indirizzo IP, impostare la password a accedere al flusso video. La Guida all'installazione è disponibile sul sito web di Axis all'indirizzo [www.axis.com](http://www.axis.com)

## Specifiche tecniche

Funzione/ gruppo	Elemento	Specifica
	Modello	AXIS T93E05
Caratteristiche generali	Involucro	Polimero ASA Colore: bianco NCS S 1002-B
	Condizioni operative	Da -20 °C a 50 °C* Umidità: 15 - 100% (con condensa) * Le temperature di funzionamento possono variare in funzione della telecamera, consultare la Guida per l'utente, disponibile sul CD fornito con la telecamera o sul sito <a href="http://www.axis.com">www.axis.com</a>
	Temperatura di magazzinaggio	Da -20 °C a 50 °C
	Approvazioni	IEC 60068-2-6, IEC 60068-2-27, EN 60950-22, IEC 60529 IP66
	Dimensioni (AxLxP)	95 x 126 x 304 mm
	Peso	580 g
	Accessori inclusi	Staffa per il montaggio a parete Parasole

## Medidas preventivas

Lea atentamente el manual del usuario antes de instalar el producto. Guarde el manual del usuario para futuras consultas.

### ¡PRECAUCIÓN!

- A la hora de transportar el producto Axis, utilice el embalaje original o uno equivalente para no dañar el producto.
- Guarde el producto Axis en un entorno seco y ventilado.
- Evite exponer el producto Axis a vibraciones, golpes o presiones excesivas y no lo instale en soportes inestables, o en superficies o paredes inestables o con vibraciones, ya que esto podría dañarlo.
- Instale el producto Axis utilizando solo herramientas manuales, ya que el uso de herramientas eléctricas o de una fuerza excesiva podría dañarlo.
- No utilice productos químicos, agentes cáusticos ni limpiadores en aerosol. Limpie con un paño húmedo.
- Utilice solo accesorios que cumplan las especificaciones técnicas del producto. Puede obtenerlos de Axis o de un tercero.
- No intente reparar el producto usted mismo, póngase en contacto con Axis o con el distribuidor de Axis para los temas de servicio técnico.

### ¡IMPORTANTE!

- Este producto Axis debe utilizarse de conformidad con la legislación y normativas locales.

# Manual del usuario de AXIS T93E05

Este manual del usuario proporciona instrucciones para la instalación de la carcasa protectora AXIS T93E05 y cámaras para exteriores Axis correspondientes; consulte [www.axis.com](http://www.axis.com) para obtener información sobre productos compatibles.

Para instalar la cámara en la red, consulte la guía de instalación que acompaña a la cámara. Si desea obtener más información acerca de la cámara, consulte el manual del usuario, disponible en el CD que acompaña a la cámara o en [www.axis.com](http://www.axis.com).

## Pasos para la instalación

1. Verifique el contenido del paquete con la lista que aparece más abajo.
2. Presentación del hardware. Consulte la página 38.
3. Instale el hardware. Consulte la página 39.

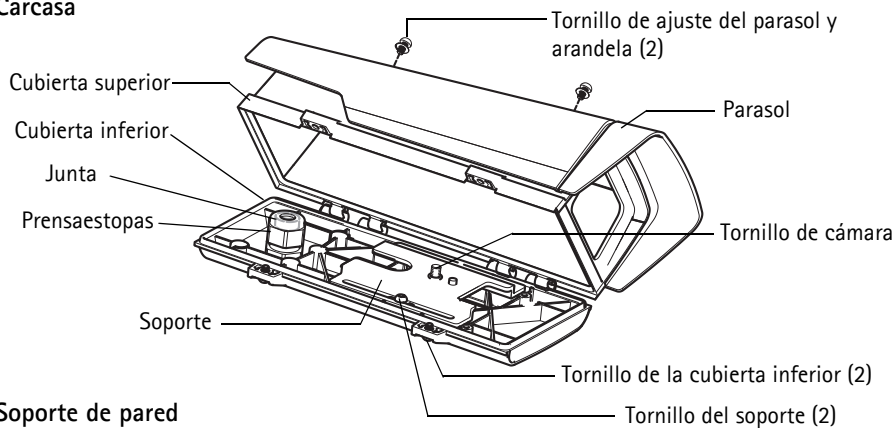
### 1 Contenido del paquete

Artículo	Modelos/variantes/notas
Carcasa	AXIS T93E05
Soporte de pared	Escuadra de pared con canal de cable interno
Herramientas	Destornillador Torx T20 Llave Allen
Otras	Bolsa desecante
Material impreso	Manual del usuario de AXIS T93E05 (este documento) Plantilla de taladrado Documento de garantía de Axis

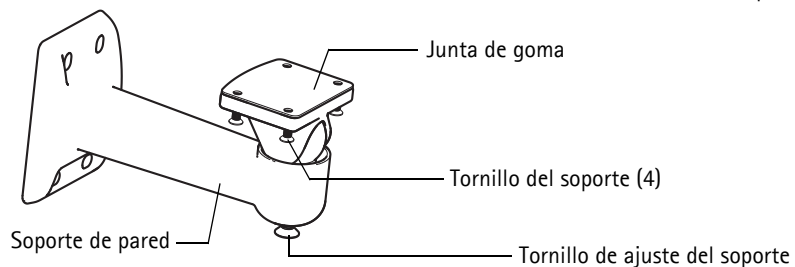
Accesorios opcionales	AXIS T8412 Pantalla de instalación Accesorios de montaje VT Consulte la página <a href="http://www.axis.com">www.axis.com</a> para obtener información sobre productos compatibles, accesorios, documentación de productos, herramientas de instalación y otro software.
-----------------------	--

## 2 Presentación del hardware

### Carcasa



### Soporte de pared



### 3 Instalación del hardware

#### Instalación de la cámara en la carcasa

Estas instrucciones describen el modo de instalar una cámara para interiores en la Carcasa protectora AXIS T93E05. Para obtener instrucciones sobre la instalación de la cámara para exteriores correspondiente, consulte *Instalación de la escuadra de pared*, en la página 40.

1. Afloje los tornillos de la cubierta inferior y abra la cubierta superior, consulte la ilustración en la página 38.
2. Afloje el tornillo del soporte y retire el soporte. Deseche la junta tórica.
3. Fije la cámara y el soporte con el tornillo según la siguiente ilustración. Apriete el tornillo de la cámara a 2 Nm. Tenga cuidado de no trasroscar el tornillo.

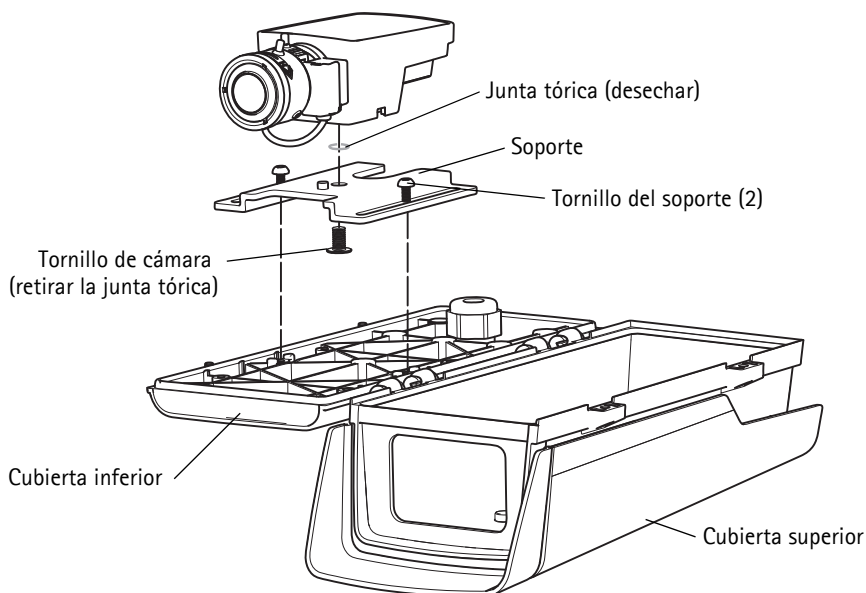


Imagen de ejemplo: Cámara de red AXIS M1114 y Carcasa protectora AXIS T93E05

4. Monte el soporte en la cubierta inferior y ajuste su posición. Deje una distancia suficiente, entre 5 y 10 mm aproximadamente, entre la lente de la cámara y el extremo frontal de la carcasa para que encaje la cubierta superior sin que la ventana arañe la lente.
5. Apriete los tornillos.

## Instalación de la escuadra de pared

1. Utilice la plantilla para taladrar que se facilita para preparar la pared o el poste donde instalará la escuadra de pared.
2. Pase el cable de red a través del soporte de pared. Deje aproximadamente 12 cm de cable para conectar la cámara.
3. Instale la escuadra de pared en una pared o en un poste y asegúrese de que los tornillos y conectores sean apropiados para el material (p. ej., madera, metal, tablero de yeso, piedra).

## Instale la cámara en el soporte

### Cámaras para exteriores Axis

1. Afloje los tornillos de la cubierta inferior y abra la cubierta superior, consulte la ilustración en la página 38.
2. Consulte las instrucciones de *Cámaras para interiores Axis instaladas en AXIS T93E05*.

### Cámaras para interiores Axis instaladas en AXIS T93E05

1. Afloje la tuerca del prensaestopas y retire la junta del prensaestopas.
2. Pase el cable de red blindado por el prensaestopas.

**Nota:** Utilice siempre un cable de red blindado (STP) para exteriores entre la cámara y el extremo y asegúrese de que el extremo tenga una conexión a tierra adecuada. Se ha comprobado que las instalaciones de cámaras Axis con un cable de red blindado (STP) y un extremo con una conexión a tierra adecuada cumplen los niveles de los estándares de inmunidad del sector como protección frente a sobrecargas. Cualquier otro método de instalación anulará la garantía y no protegerá la unidad frente a los riesgos.

3. Instale la cámara con la carcasa sobre el soporte y apriete los tornillos del soporte.



- Coloque la junta en el cable de red y empuje la junta hasta el prensaestopas.

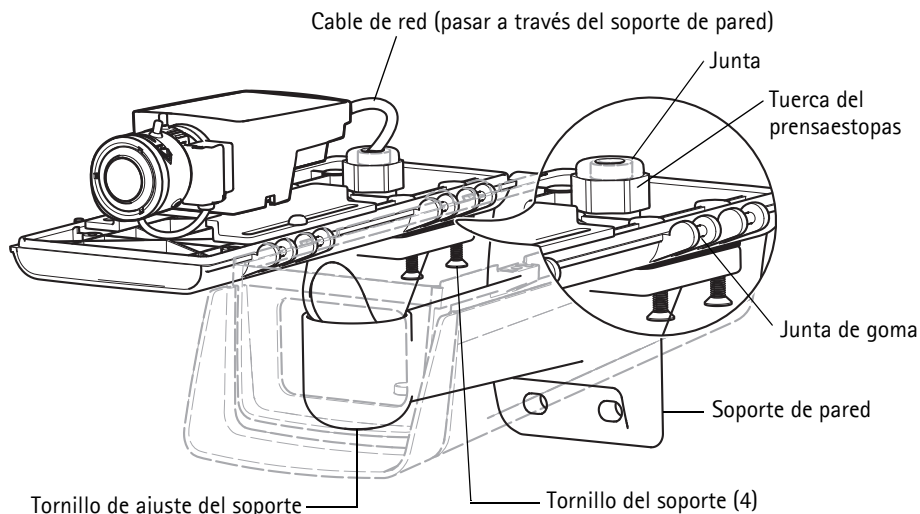


Imagen de ejemplo: Cámara de red AXIS M1114 y Carcasa protectora AXIS T93E05

- Apriete la tuerca del prensaestopas.
- Conecte la cámara a la red.
- Afloje el tornillo de ajuste del soporte para dirigir la cámara hacia el punto de interés y enfocarla empleando un monitor de instalación, disponible como accesorio opcional de Axis, o siguiendo las instrucciones que aparecen en la guía suministrada junto con la cámara.
- Retire el envoltorio de plástico de la bolsa desecante y coloque la bolsa desecante en el espacio vacío alrededor del prensaestopas.

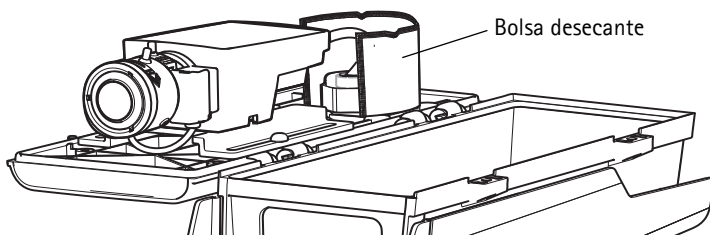


Imagen de ejemplo: Cámara de red AXIS M1114 y Carcasa protectora AXIS T93E05

**Nota:** Debe sustituirse la bolsa desecante regularmente. Siempre que abra la carcasa, sustituya la

bolsa desecante.

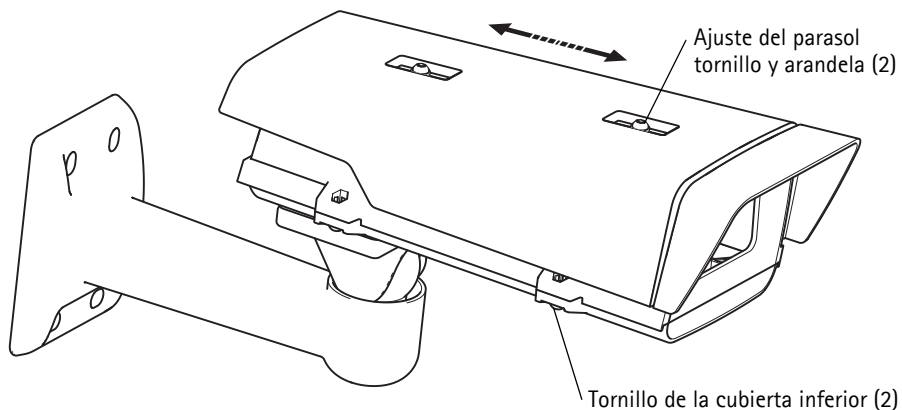
- Cierre la cubierta superior y apriete los tornillos de la cubierta inferior.



**¡PRECAUCIÓN!**

**Riesgo de atrapamiento**

Tenga en cuenta el espacio para bisagras entre la cubierta superior e inferior. No ponga nunca sus dedos entre las bisagras al cerrar la cubierta superior.



- Afloje los tornillos de ajuste del parasol y ajuste el parasol en la posición deseada.

## Más información

Consulte la guía de instalación que acompaña a la cámara para informarse de cómo asignar una dirección IP, establecer la contraseña y acceder a la transmisión de vídeo. La guía de instalación también está disponible en el sitio Web de Axis en [www.axis.com](http://www.axis.com)

## Especificaciones técnicas

Función/Grupo	Artículo	Especificación
	Modelo	AXIS T93E05
Generales	Carcasa	Polímero ASA Color: blanco NCS S 1002-B
	Condiciones de funcionamiento	-20 °C a 50 °C* Humedad de 15% a 100% (con condensación) * Las temperaturas de funcionamiento pueden variar dependiendo de la cámara, consulte el manual del usuario, disponible en el CD que acompaña a la cámara o en <a href="http://www.axis.com">www.axis.com</a>
	Temperatura de almacenamiento	-20 °C a 50 °C
	Homologaciones	IEC 60068-2-6, IEC 60068-2-27, EN 60950-22, IEC 60529 IP66
	Dimensiones (HxAxP)	95 x 126 x 304 mm
	Peso	580 g
	Accesorios incluidos	Soporte de pared Parasol





User's Guide

Ver.1.2

AXIS T93E05 Protective Housing

Printed: July 2011

© Axis Communications AB, 2011

Part No. 43778