

AXIS TQ3107-SE Pendant Kit

Made of marine-grade stainless steel

AXIS TQ3107-SE Pendant Kit is suitable for outdoor environments with a pendant mount made of marine-grade, electropolished and stainless steel (SUS 316L), which improves its surface quality.

- > **Resistant to marine environments and most chemicals**
- > **1 1/2" NPS**
- > **Improved weather protection for outdoor use**
- > **Marine-grade stainless steel (SUS 316L)**
- > **Ideal for stainless steel fixed dome cameras**



AXIS TQ3107-SE Pendant Kit

General

Supported products

AXIS P3268-SLVE
AXIS Q3538-SLVE

Casing

Electropolished stainless steel (V4A,
SUS 316L/UNS S31603/EN 1.4404)

Dimensions

For the overall product dimensions, see the dimension drawing in this datasheet.

Weight

1.1 kg (2.5 lb)

Environment

Indoor and outdoor¹

Box content

Pendant kit, installation guide, stainless steel screws

Optional accessories

AXIS TQ3003-SE Wall Mount
For more accessories, go to axis.com/products/axis-tq3107-se-pendant-kit#compatible-products

Warranty

3-year warranty, see axis.com/warranty

Part numbers

Available at axis.com/products/axis-tq3107-se-pendant-kit#part-numbers

Approvals

Safety

CAN/CSA C22.2 No. 62368-1 ed. 3,
IEC/EN 62368-1 ed. 3, IEC/EN/UL 62368-1 ed. 3

Environment

IEC 60068-2-6 (Sinus), IEC 60068-2-27 (Shock),
IEC/EN 62262 IK10+, NEMA 250 Type 4X, MIL-STD
810G 509.5

Sustainability

Substance control

RoHS in accordance with EU RoHS Directive 2011/65/EU and 2015/863, and standard EN IEC 63000:2018
REACH in accordance with (EC) No 1907/2006. For SCIP
UUID, see echa.europa.eu

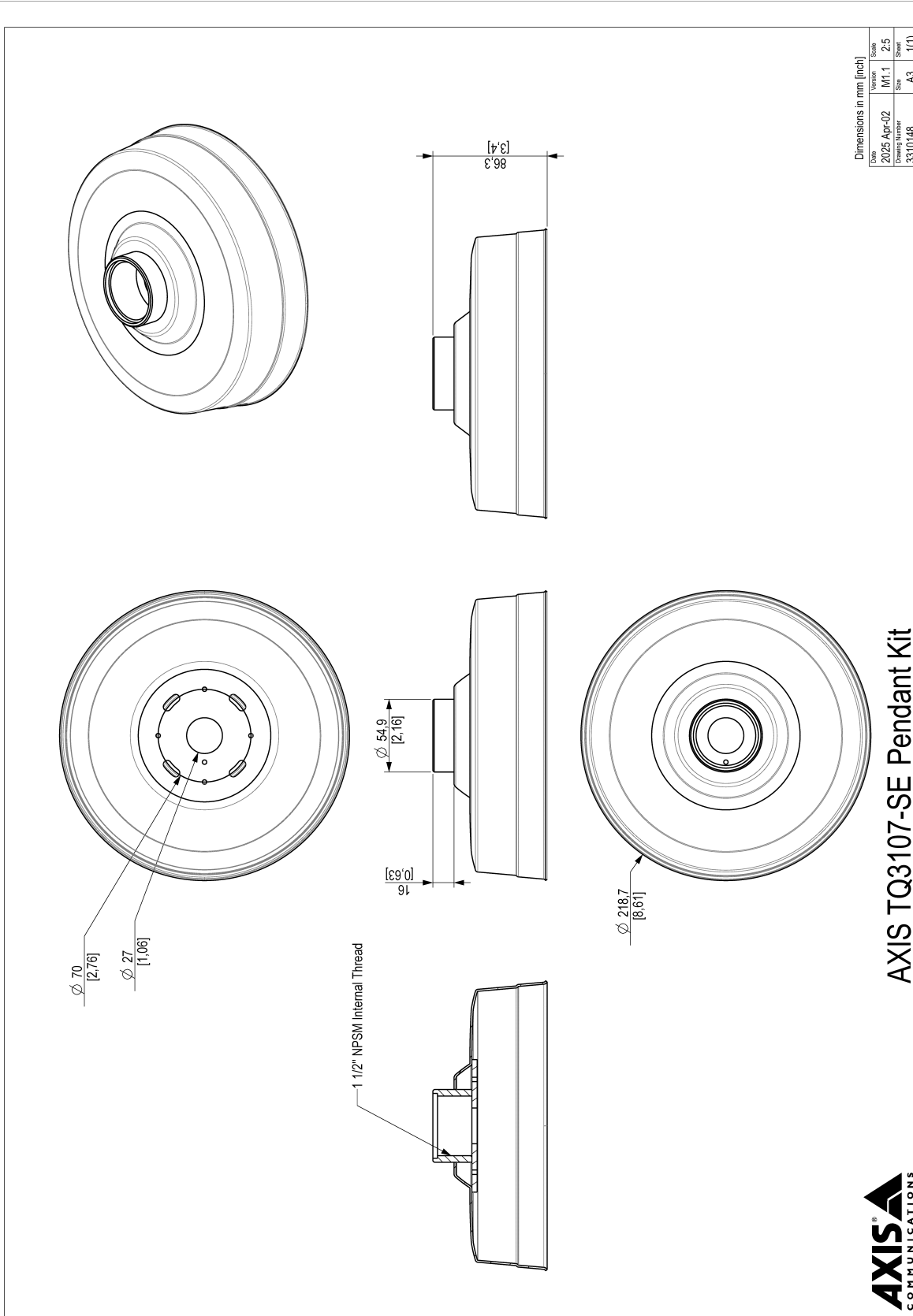
Materials

Screened for conflict minerals in accordance with OECD
guidelines
To read more about sustainability at Axis, go to axis.com/about-axis/sustainability

Environmental responsibility

axis.com/environmental-responsibility
Axis Communications is a signatory of the UN Global
Compact, read more at unglobalcompact.org

1. Recommended for outdoor use



AXIS TQ3107-SE Pendant Kit



© 2025 Axis Communications AB. All rights reserved.